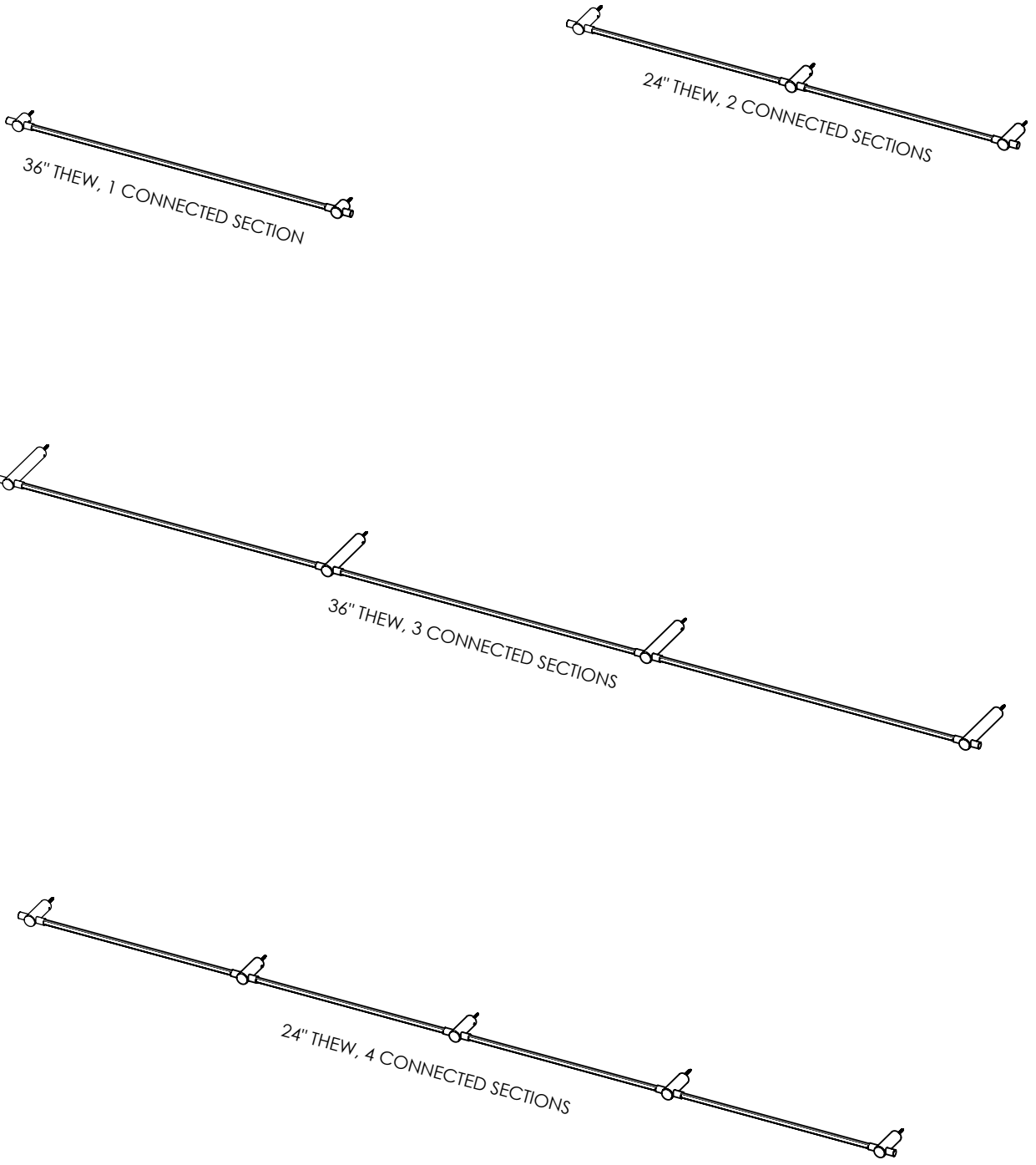


JUNIPER[®]

THIN Surface Mount Installation Guide



SHOWN ARE EXAMPLES OF CONFIGURATION POSSIBILITIES. SPECIFIC FIXTURE CONFIGURATION MAY VARY.

WARNING

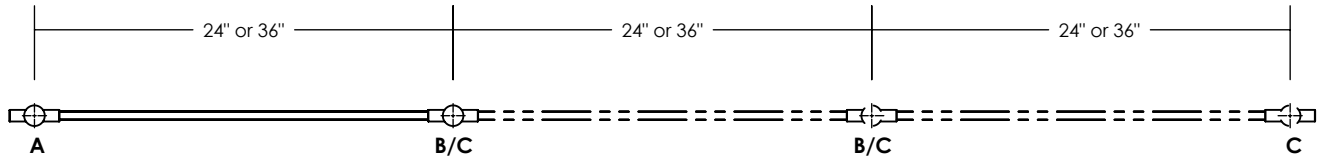
A LICENSED ELECTRICIAN SHOULD PERFORM INSTALLATION. DISCONNECT MAIN POWER AT THE SOURCE PRIOR TO INSTALLATION.

INSTRUCTIONS IN "STEP 2A" MEANT FOR A REMOTE CLASS 2 DRIVER.

INSTRUCTIONS IN "STEP 2B" MEANT FOR A PLUGIN CLASS 2 POWER SUPPLY.

STEP 1: MARK MOUNTING POINTS

Carefully mark the mounting points with a pencil or marker, using the spacings indicated in Figure 1. **It is highly recommended to use a laser alignment/ measuring tool to ensure that mounted parts are properly distanced and fall on a straight line.**



KEY

- A POWER STANDOFF** MOUNTED AT THE POWER END OF THE FIXTURE (SEE POWER FEED OPTIONS).
- B PASSTHROUGH STANDOFF** USED TO CONNECT SEGMENTS TOGETHER. MOUNTED IN BETWEEN POWER AND END STANDOFFS.
- C END STANDOFF** MOUNTED AT THE NON-POWERED END OF THE FIXTURE.

POWER FEED OPTIONS

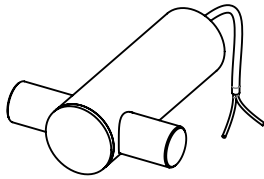


FIGURE 2

HARDWIRED

FOR FIXTURES WIRED TO A REMOTELY LOCATED LED DRIVER.

SEE **STEP 2A** FOR DETAILED INSTALLATION AND WIRING INFORMATION.

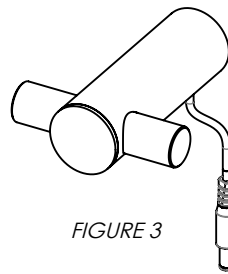


FIGURE 3

PLUG-IN

FOR LOCAL 24VDC POWER SUPPLY

SEE **STEP 2B** FOR DETAILED INSTALLATION AND WIRING INFORMATION.

STEP 2A: HARDWIRED FIXTURE INSTALLATION

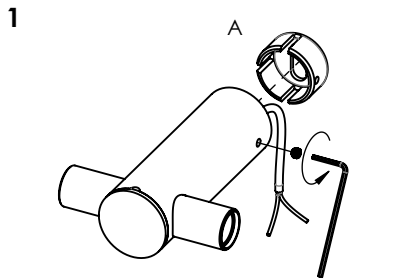


FIGURE 4

Loosen the set screw on the power standoff (A) and release the wall mount bracket.

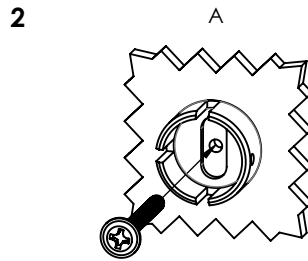


FIGURE 5

Using the provided screw, mount the wall bracket with the hole positioned in the center of the slot. Make sure to orient the slot vertically as depicted above. Woodscrews are provided for default installation. Alternate screws may be used at the recommendation of an electrician.

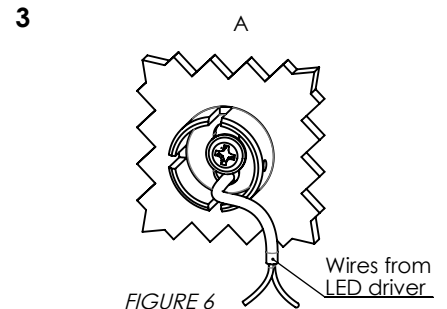


FIGURE 6

Drill a hole through the wall bracket slot using a 1/8" drill bit, which will be used to receive low voltage wires from remotely located LED driver.

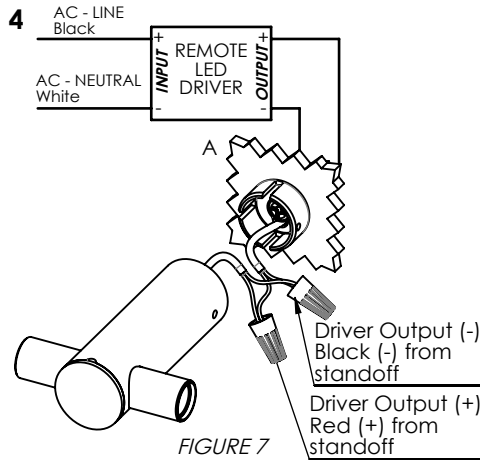


FIGURE 7

Connect wires using provided wire nuts and push the wires along with the wire nuts into the standoff. **Wires to and from the driver are not included.**

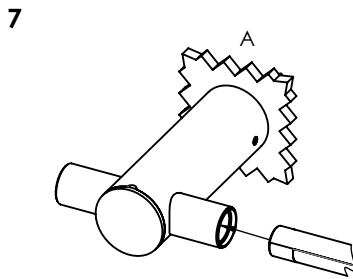


FIGURE 10

Insert the first light segment into the power feed standoff.

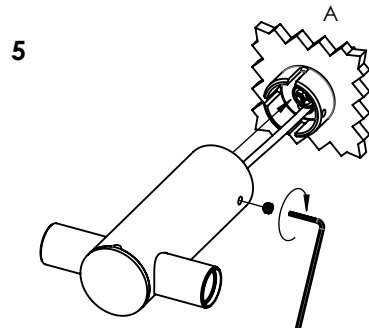


FIGURE 8

Slide the power standoff (A) on the wall bracket. Using the provided set screw, fix the power standoff in place. **Ensure that the mounting bracket has been secured tightly against the wall to prevent any sagging of the fixture.**

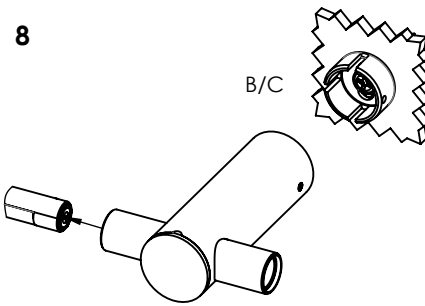


FIGURE 11

Slide the pass through/end standoff (B/C) onto the light segment as depicted in figure. **Standoff should not be mounted on the wall bracket at this point.**

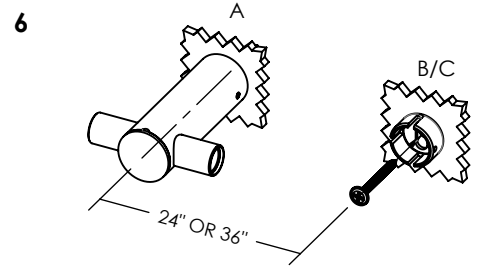


FIGURE 9

Mount the B/C wall bracket. Verify the distance between the power (A) and B/C wall mount.

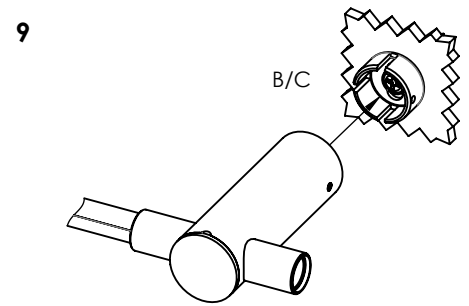


FIGURE 12

Carefully slide the pass through/end standoff (B/C) onto the mounting bracket.

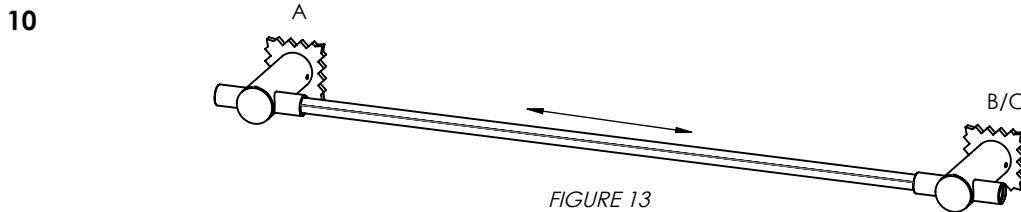


FIGURE 13

Make sure there is no movement of the light segment in horizontal direction as depicted above otherwise the fixture might not illuminate. In case of any movement, adjust the wall bracket by slightly loosening the B/C mounting screw and moving it in the direction of the power feed standoff (A). Note, the fixture is designed with 1/8" adjustment allowance. Once the fixture is illuminated, tighten set screw on the pass through/end (B/C) standoff to secure it in place.

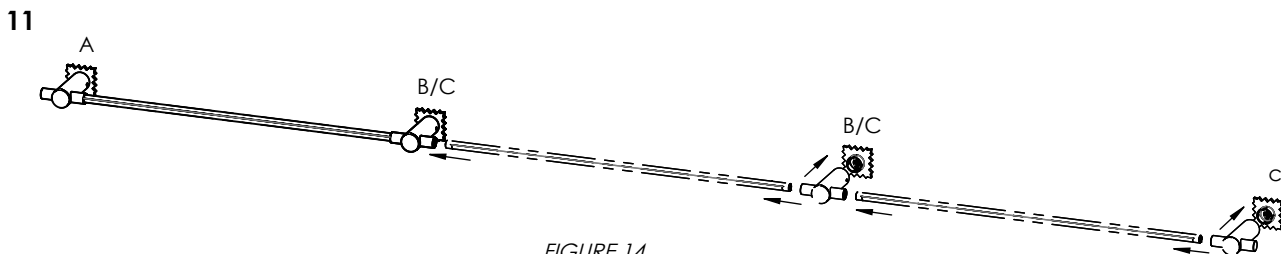


FIGURE 14

For additional light segments repeat the previous steps. **Prior to mounting each segment verify the distance between consecutive mounting brackets.**

STEP 2B: PLUG-IN FIXTURE INSTALLATION

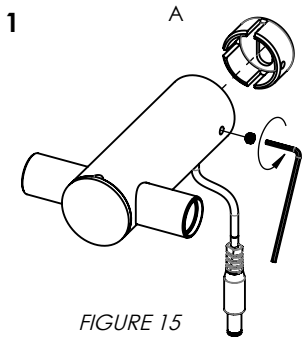


FIGURE 15

Loosen the set screw on the power standoff (A) and release the wall mount bracket.

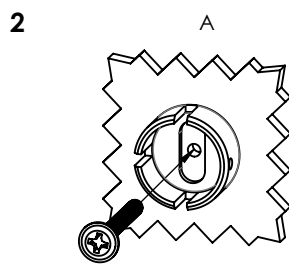


FIGURE 16

Using the provided screw, mount the wall bracket with the hole positioned in the center of the slot. Make sure to orient the slot vertically as depicted above. Woodscrews are provided for default installation. Alternate screws may be used at the recommendation of an electrician.

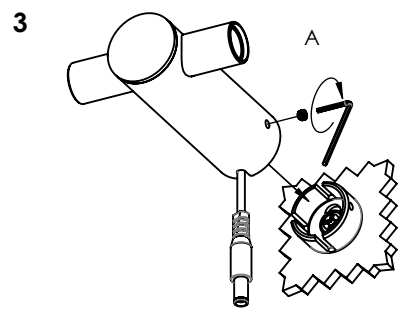


FIGURE 17

With the wire set alongside the 'mouse hole' on the standoff, slide the power standoff (A) on the wall bracket. **Make sure that the wire fits through the slot on the wall bracket.** Using the provided set screw, fix the power standoff in place. **Ensure that the mounting bracket has been secured tightly against the wall to prevent any sagging of the fixture.**

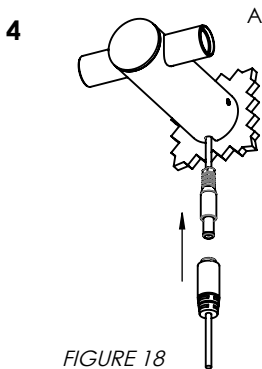


FIGURE 18

Insert the DC jack into the provided adaptor plug to make electrical connection.

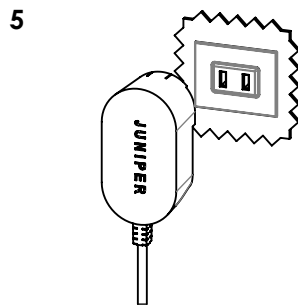


FIGURE 19

Plug the adapter in the wall socket and turn on the power.

After completing the above instructions, follow the instruction 6-11 to install passthrough and/or end (B/C) standoff and light segments to complete the fixture's installation.

CARE INSTRUCTIONS

Brass will patina over time like other natural metals and regular care is required in order to retain the quality finish of your THIN fixture for years to come.

Gently wipe with a damp cloth to remove dirt, dust, and fingerprints.

Do not use any chemical cleaning solution.

Use indoors only.