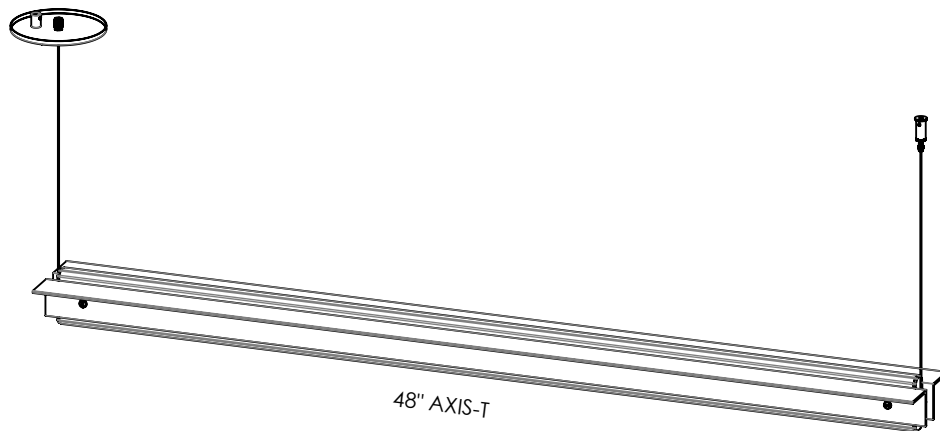
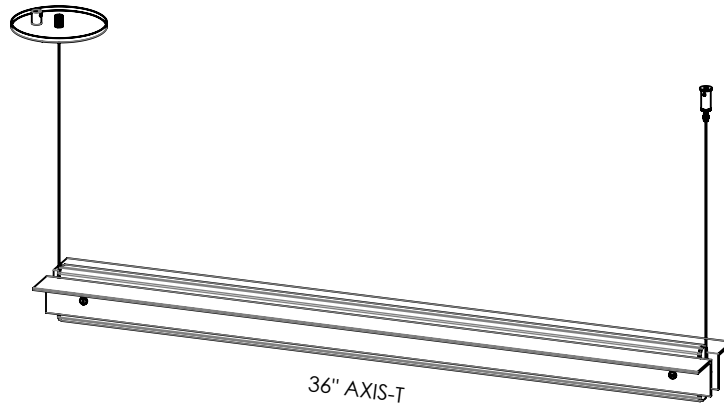


JUNIPER®

AXIS T

Remote Installation Guide



WARNING

A LICENSED ELECTRICIAN SHOULD PERFORM INSTALLATION. DISCONNECT MAIN POWER AT THE SOURCE PRIOR TO INSTALLATION.

INSTRUCTIONS MEANT FOR REMOTE CLASS 2 DRIVER(S).

DUE TO HEAVY WEIGHT OF THE FIXTURE, EXTRA CAUTION IS REQUIRED WHEN HANDLING.

PREFERABLY, TWO PEOPLE SHOULD BE INVOLVED IN THE INSTALLATION OF THE FIXTURE.

STEP 1: MARK MOUNTING POINTS

Carefully mark the mounting points with a pencil or marker, using the spacing in Figure 1. **It is highly recommended to use a laser alignment/ measuring tool to ensure that mounting points are properly distanced.**

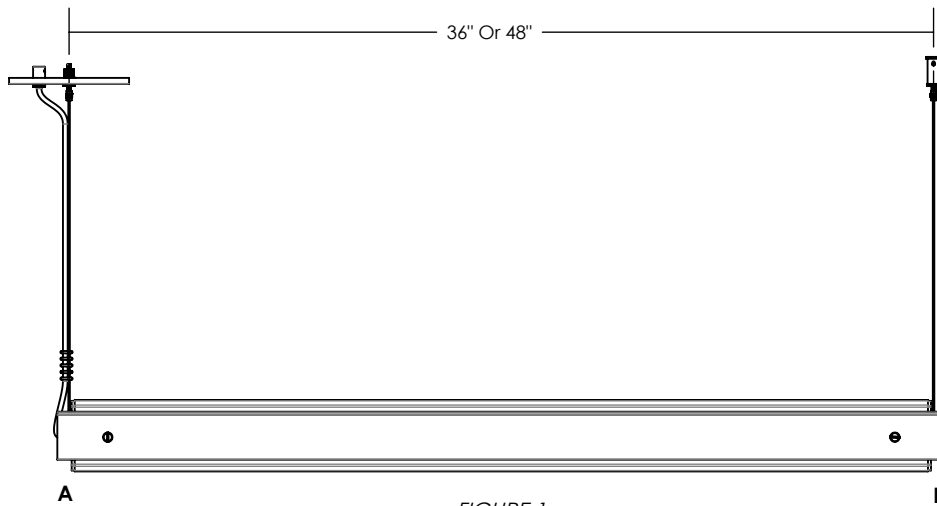


FIGURE 1

KEY

- A POWER END** CANOPY PLATE OR MINI MOUNTING PLATE IS MOUNTED AT POWERED END OF THE FIXTURE (SEE POWER FEED OPTIONS).
- B CEILING POST** MOUNTED AT THE NON-POWERED END OF THE FIXTURE.

POWER FEED OPTIONS

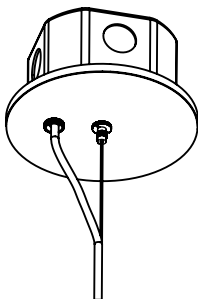


FIGURE 2

CANOPY PLATE

FOR FIXTURES MOUNTED TO A JUNCTION BOX.

SEE **STEP 2A** FOR DETAILED INSTALLATION AND WIRING INFORMATION.

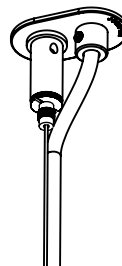


FIGURE 3

MINI MOUNTING PLATE

FOR FIXTURES MOUNTED DIRECTLY TO THE CEILING.

SEE **STEP 2B** FOR DETAILED INSTALLATION AND WIRING INFORMATION.

BLOCKING IS RECOMMENDED FOR DRYWALL MOUNTING.

STEP 2A: JUNCTION BOX COVER PLATE INSTALLATION INSTRUCTIONS

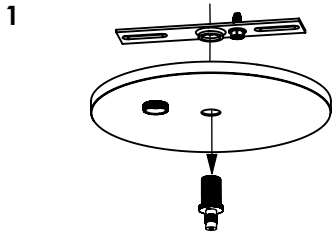


FIGURE 4

Remove gripper from the canopy cover to release the crossbar.

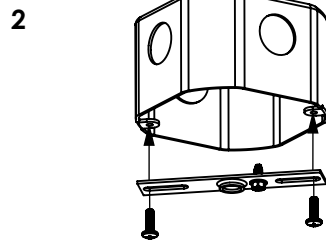


FIGURE 5

Attach the crossbar to the junction box using provided screws.

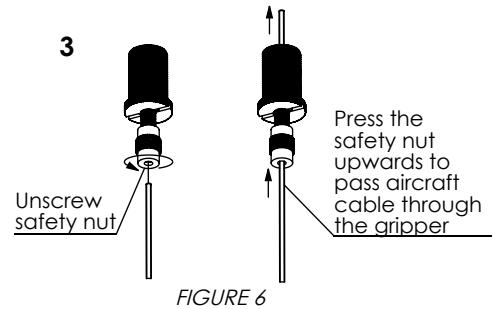


FIGURE 6

Partly loosen safety nut on cable gripper. Feed aircraft cable through the gripper. Do this for all aircraft cable ends.

4-A - SINGLE REMOTE DRIVER

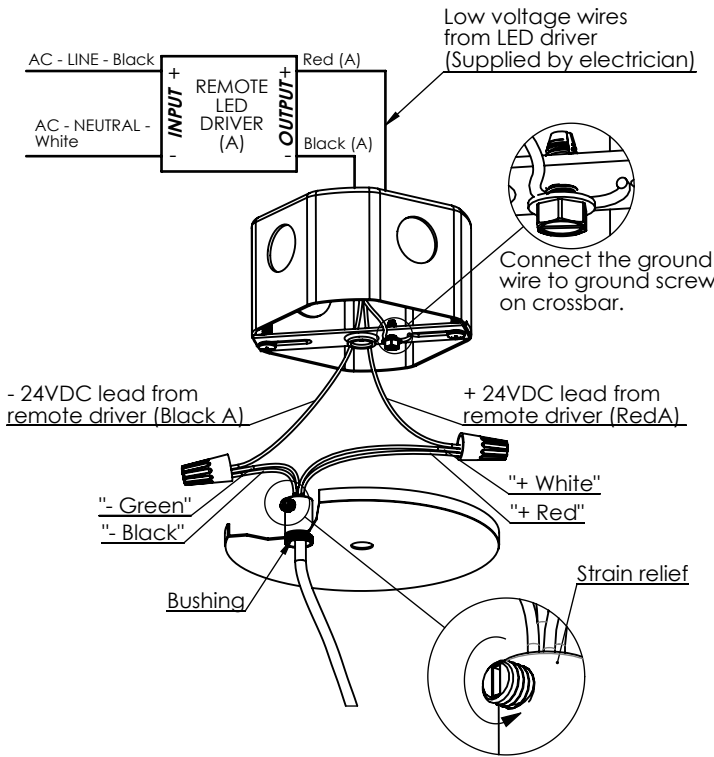


FIGURE 7

Loosen the screw on the strain relief and pass power cable through bushing and strain relief as shown. Connect wires according to diagram (wire nuts provided). **Length of power cord should be adjusted for desired suspension height. Tighten the screw on the strain relief after adjustment.**

You may require assistance holding the light fixture while making wire connections.

Wires to and from the driver are not provided.

4-B - TWO REMOTE DRIVERS INDEPENDENT (DIRECT/INDIRECT) DIMMING

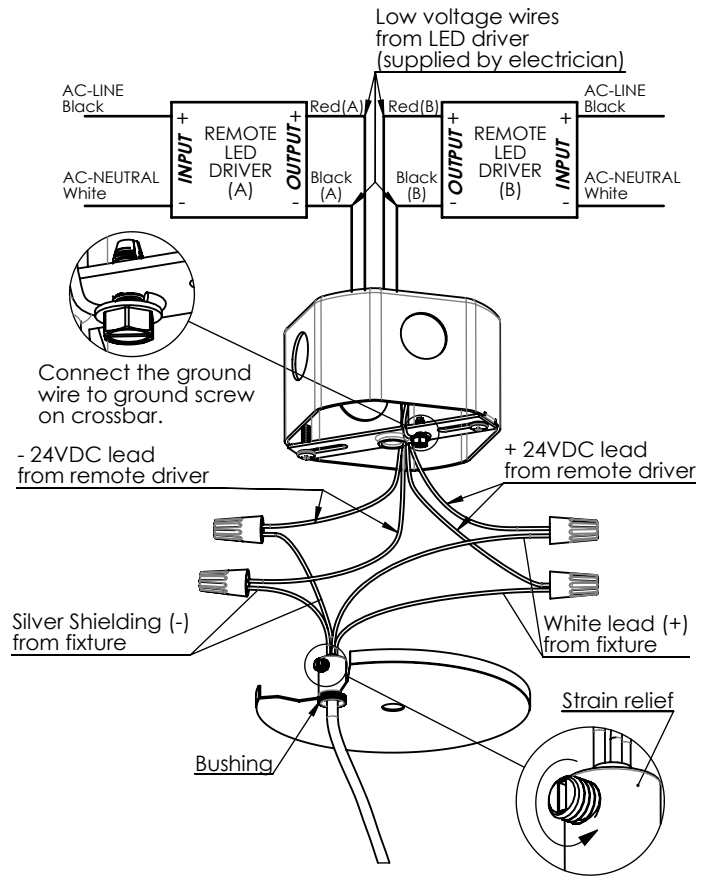


FIGURE 8

Loosen the screw on the strain relief and pass power cable through bushing and strain relief as shown. Connect wires according to diagram (wire nuts provided). **Length of power cord should be adjusted for desired suspension height. Tighten the screw on the strain relief after adjustment.**

Wires to and from the driver are not provided.

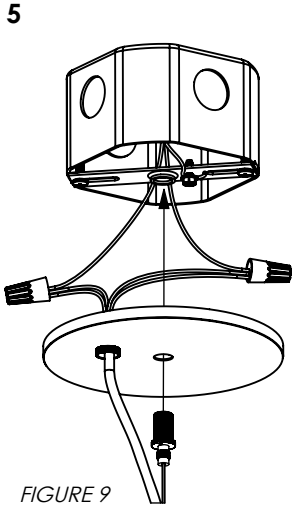


FIGURE 9

Push wires inside the junction box and screw gripper into crossbar to attach canopy plate to the junction box.

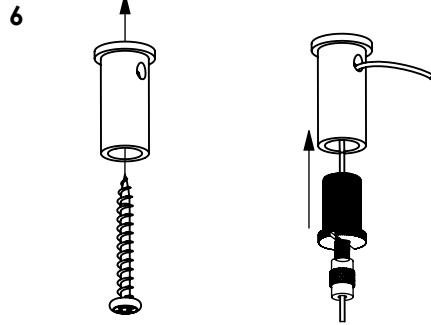


FIGURE 10

Install ceiling posts at B mounting point using provided screws. Screw gripper into ceiling post.

Woodscrews are provided for default installation. Alternate screws may be used at the recommendation of an electrician.

Use laser alignment/ measuring tool to ensure accurate placement of the ceiling post.

Blocking is recommended for drywall mounting.

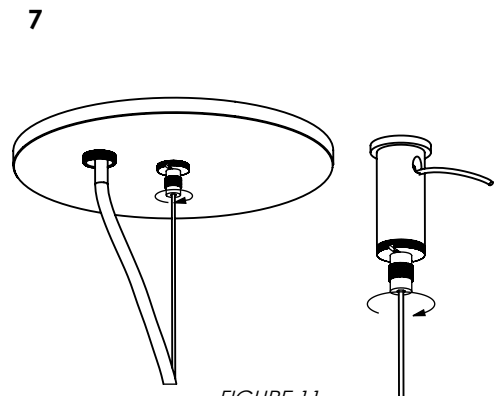


FIGURE 11

Adjust aircraft cable length as needed. Press safety nut on gripper to loosen aircraft cable. Tighten safety nut in completely when finished. **Do not cut extra aircraft cable until full fixture is assembled and desired suspension height is achieved.**

STEP 2B: MINI MOUNTING PLATE INSTALLATION INSTRUCTIONS

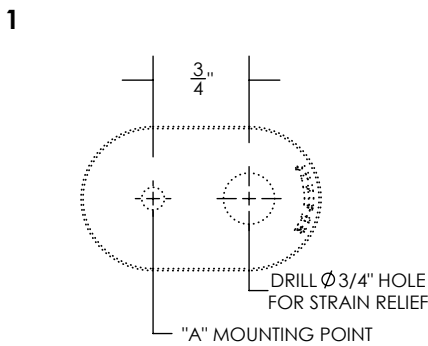


FIGURE 12

Drill hole for strain relief according to diagram.

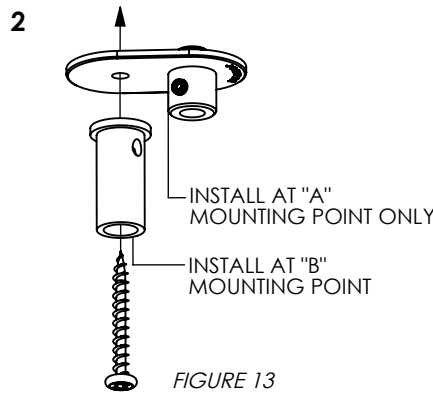


FIGURE 13

Install using provided screws according to diagram.

Blocking is recommended for drywall mounting.

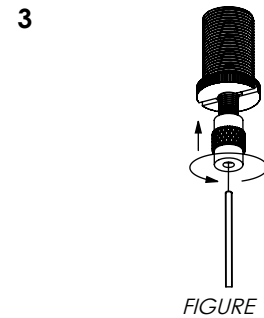


FIGURE 14

Partly unscrew safety nut on gripper and feed aircraft cables through.

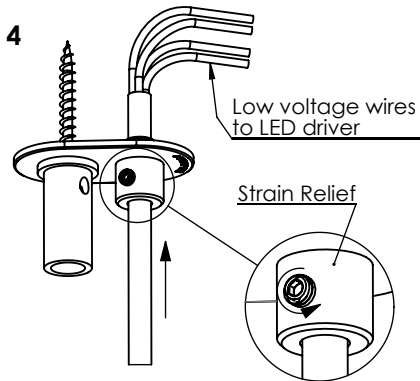


FIGURE 15

Loosen the set screw on the strain relief and pass the power cord through the strain relief. Connect to electrician-provided 18AWG in-wall rated cable (recommended).

Tighten the set screw on strain relief after adjusting fixture height.

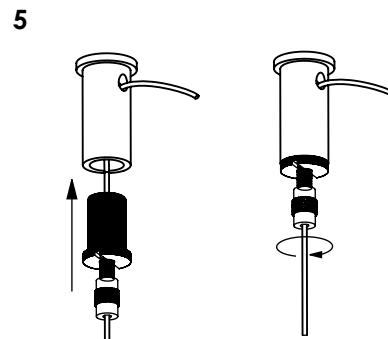
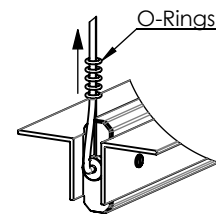


FIGURE 16

Screw grippers into ceiling posts. Adjust aircraft cable lengths as needed. Press safety nut on gripper to release aircraft cable. Tighten safety nut when finished. **Do not cut extra aircraft cable until fixture is fully assembled and desired suspension height is achieved.**

STEP 3: CONSTRAINING THE POWER CORD



Space the O-rings apart at the power end along the length of the cable to constrain the power cord to aircraft cable.

CARE INSTRUCTIONS

Brass will patina over time like other natural metals and regular care is required in order to retain the quality finish of your fixture for years to come.

Gently wipe with a damp cloth to remove dirt, dust, and fingerprints.

Do not use any chemical cleaning solution.

Use indoors only.