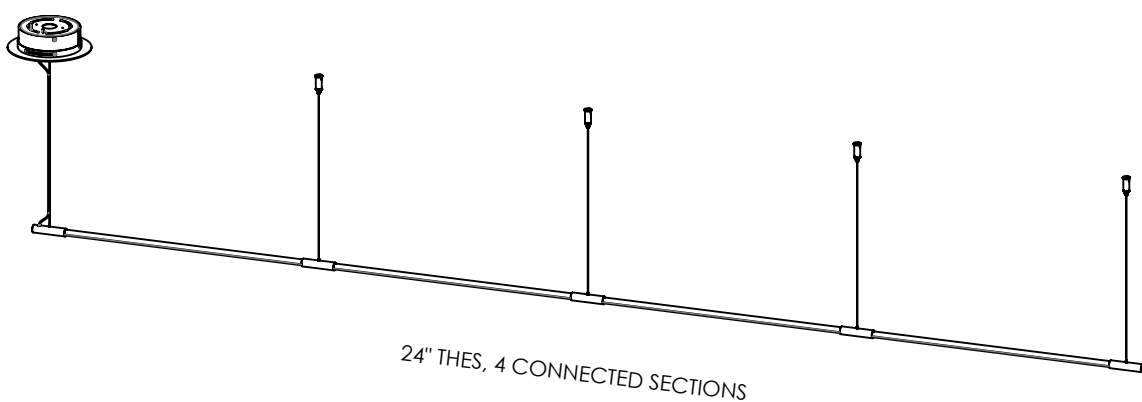
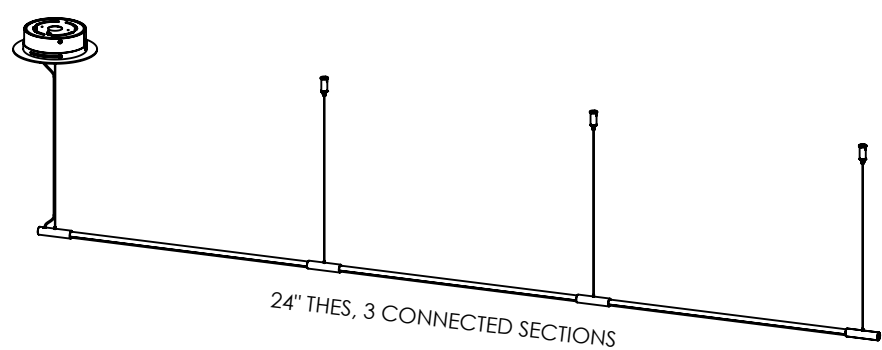
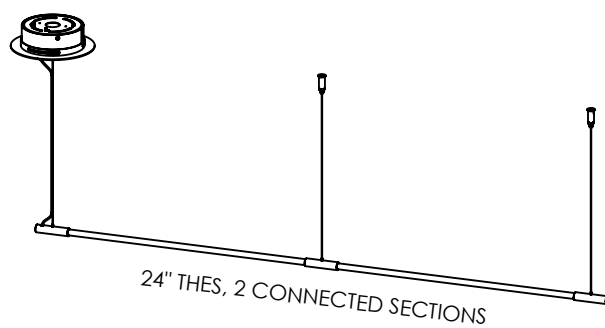
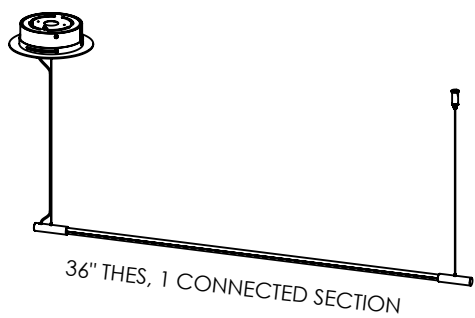


JUNIPER®

THIN Suspension Local Installation Guide



SHOWN ARE EXAMPLES OF CONFIGURATION POSSIBILITIES. SPECIFIC FIXTURE CONFIGURATION MAY VARY.

WARNING

**A LICENSED ELECTRICIAN SHOULD PERFORM INSTALLATION.
DISCONNECT MAIN POWER AT THE SOURCE PRIOR TO INSTALLATION.**

INSTRUCTIONS MEANT FOR A LOCAL CLASS 2 DRIVER.

STEP 1: MARK MOUNTING POINTS

Carefully mark the mounting points with a pencil or marker, using the spacing in Figure 1. **It is highly recommended to use a laser alignment/ measuring tool to ensure that mounting parts are properly distanced and fall on a straight line.**

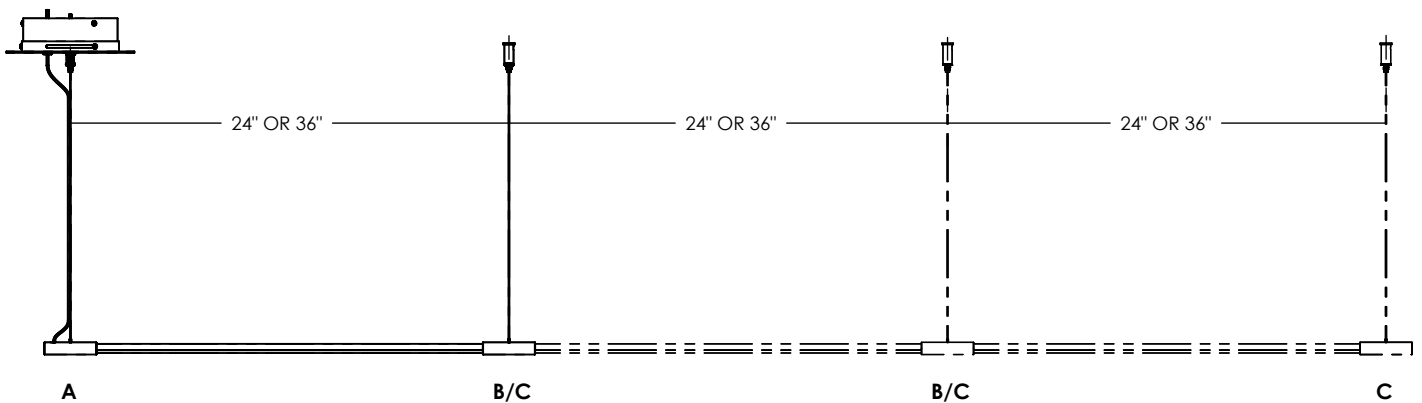


FIGURE 1

KEY

- A POWER SLEEVES** MOUNTED BENEATH CANOPY AT ONE END OF THE FIXTURE.*
- B PASSTHROUGH SLEEVES** USED TO CONNECT SEGMENTS TOGETHER. MOUNTED IN BETWEEN POWER SLEEVES AND END SLEEVES.
- C END SLEEVES** MOUNTED AT THE END OF THE FIXTURE.

* In order to install the fixture with the canopy at the mounting point, other than at the ends of the fixture, please refer to "Center Power Feed Install Guide" or contact Juniper for instructions.

STEP 2: JUNCTION BOX COVER INSTALLATION INSTRUCTIONS

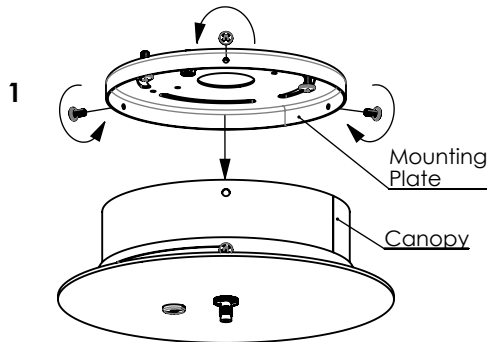


FIGURE 2

Remove screws from the canopy assembly to release the mounting plate.

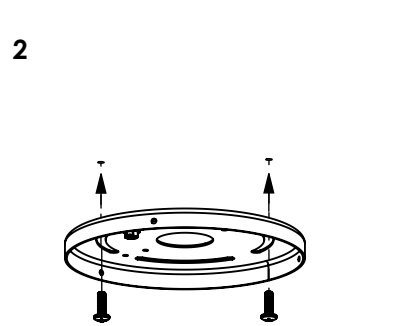


FIGURE 3

Attach the mounting plate to the junction box using provided screws.

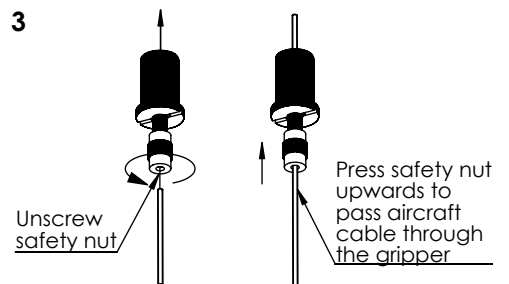


FIGURE 4

Partly loosen safety nut on cable gripper. Feed aircraft cable through the gripper. Do this for all aircraft cable ends.

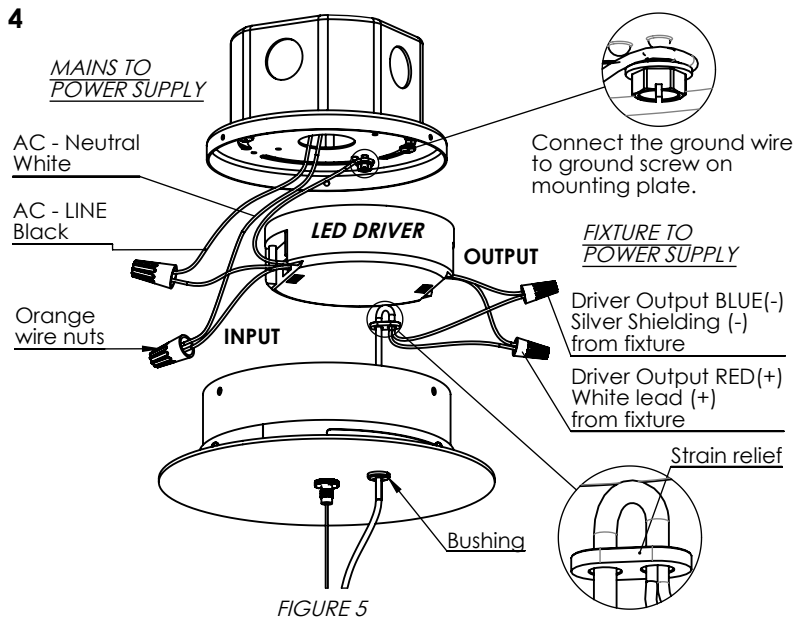
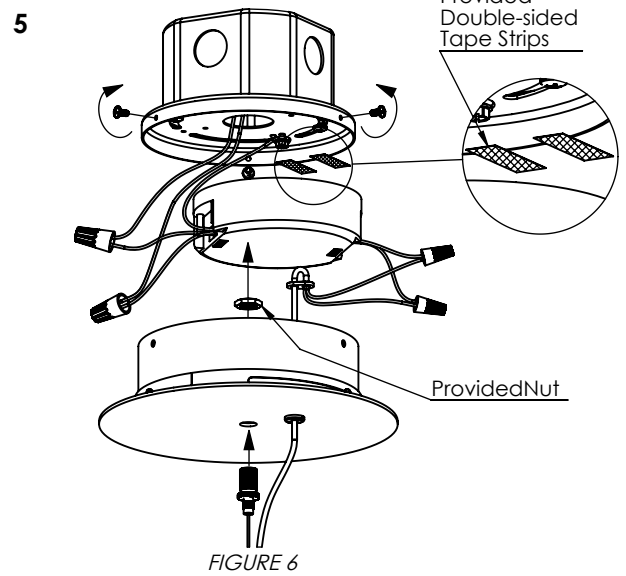
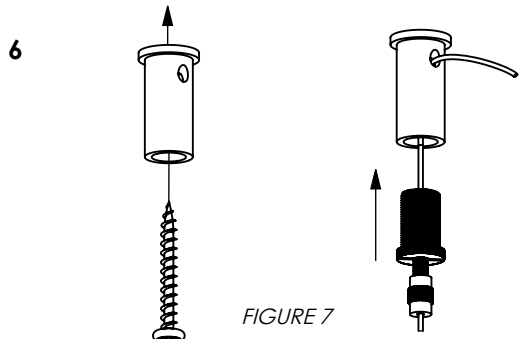


FIGURE 5

Pass power cable through bushing and strain relief as shown. Connect wires according to diagram (wire nuts provided). **Length of power cord should be adjusted for desired suspension height. AC wires to the driver are not provided.**



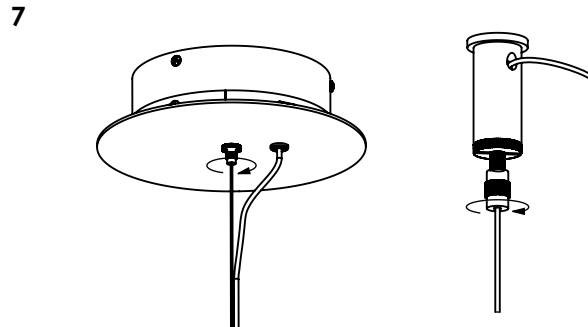
- A. Attach LED Driver to mounting plate using provided double-sided tape strips.
- B. Attach gripper to canopy using provided nut, as shown above.
- C. Place wires inside canopy and attach the canopy to the mounting plate using screws removed during first instruction.



Install ceiling posts at all B and C mounting points using provided screws. Screw grippers into ceiling posts.

Woodscrews are provided for default installation. Alternate screws may be used at the recommendation of an electrician.

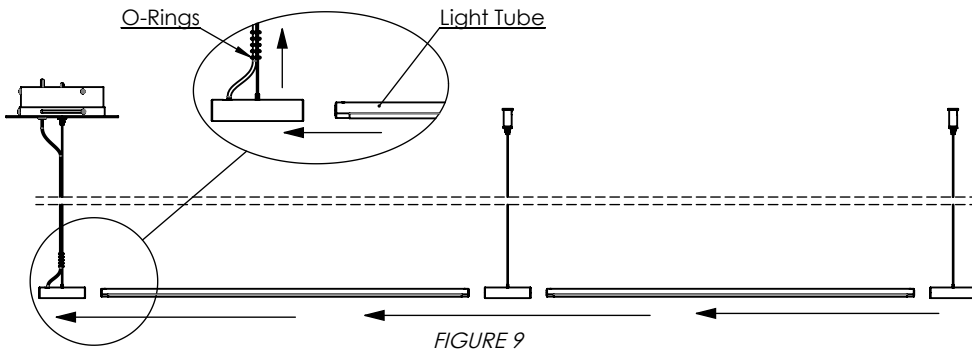
Use laser alignment/ measuring tool to ensure accurate placement of the ceiling post.



Adjust aircraft cable length as needed. Press safety nut on gripper to loosen aircraft cable. Tighten safety nut in completely when finished. **Do not cut extra aircraft cable until full fixture is assembled and desired suspension height is achieved.**

STEP 3: LIGHT TUBE INSTALLATIONS

The THIN Suspension fixture is designed with an innovative magnetic connection. Simply insert the light tubes into their sleeves for electrical contact to be made.



1. Reconnect main power and insert light tubes into the power end. Push light tubes in carefully until they illuminate.
2. Push following passthrough sleeve onto illuminated light tubes. Add light tubes and sleeves as needed according to your segment configuration.
3. Slide the end sleeve onto the last set of light tubes.
4. Space the O-rings apart on the power sleeve along the length of the cable to constrain the power cord to aircraft cable.

CARE INSTRUCTIONS

Brass will patina over time like other natural metals and regular care is required in order to retain the quality finish of your THIN fixture for years to come.

Gently wipe with a damp cloth to remove dirt, dust, and fingerprints.

Do not use any chemical cleaning solution.

Use indoors only.