

1

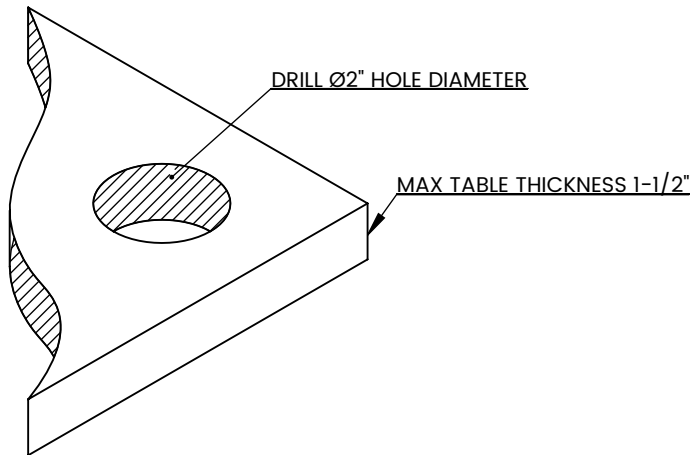


FIGURE 1

Drill a $\varnothing 2"$ hole in the table.

2

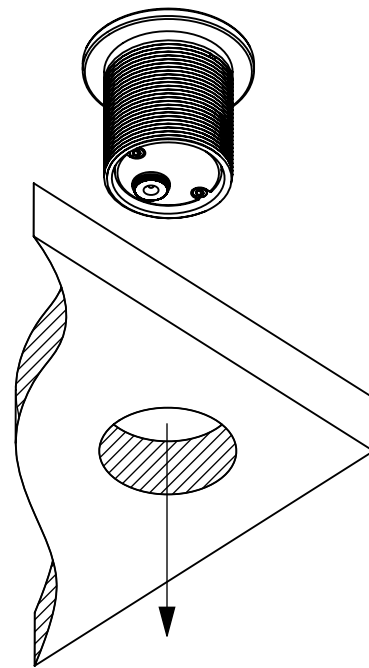


FIGURE 2

Place the charger assembly in the hole.

3

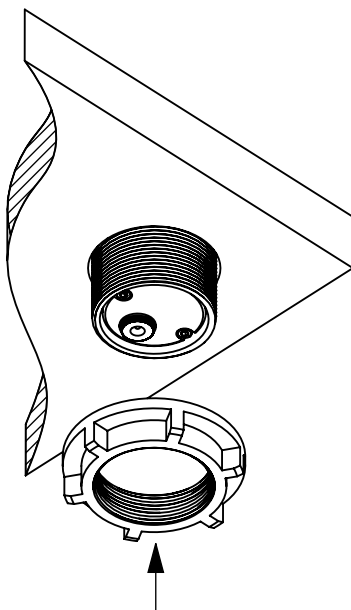


FIGURE 3

Install provided plastic nut.

4

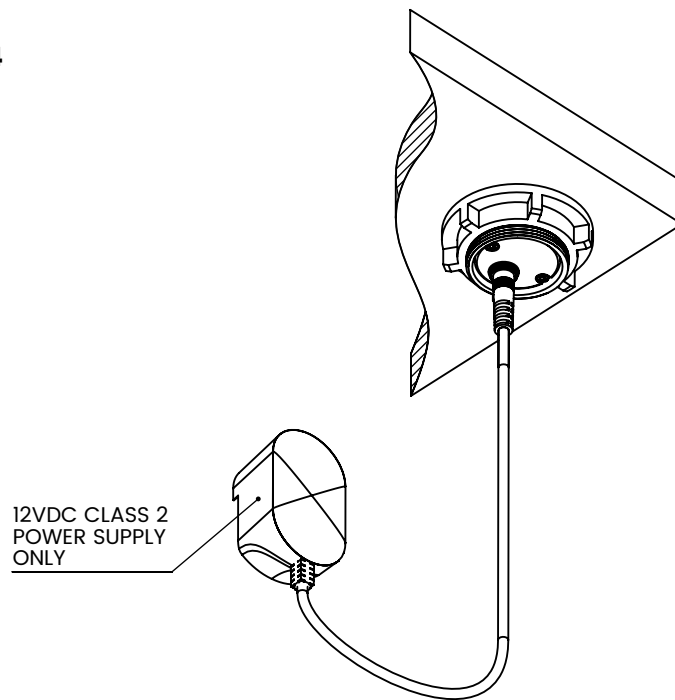


FIGURE 4

Connect the power supply as shown above.

NOTE: The DKUS chargers are only suitable for charging cellphones and tablets. They are not suitable for charging laptops.

CARE INSTRUCTIONS

Brass will patina over time like other natural metals and regular care is required in order to retain the quality finish of your THIN fixture for years to come.
Gently wipe with a damp cloth to remove dirt, dust, and fingerprints.
Do not use any chemical cleaning solution.
Use indoors only.