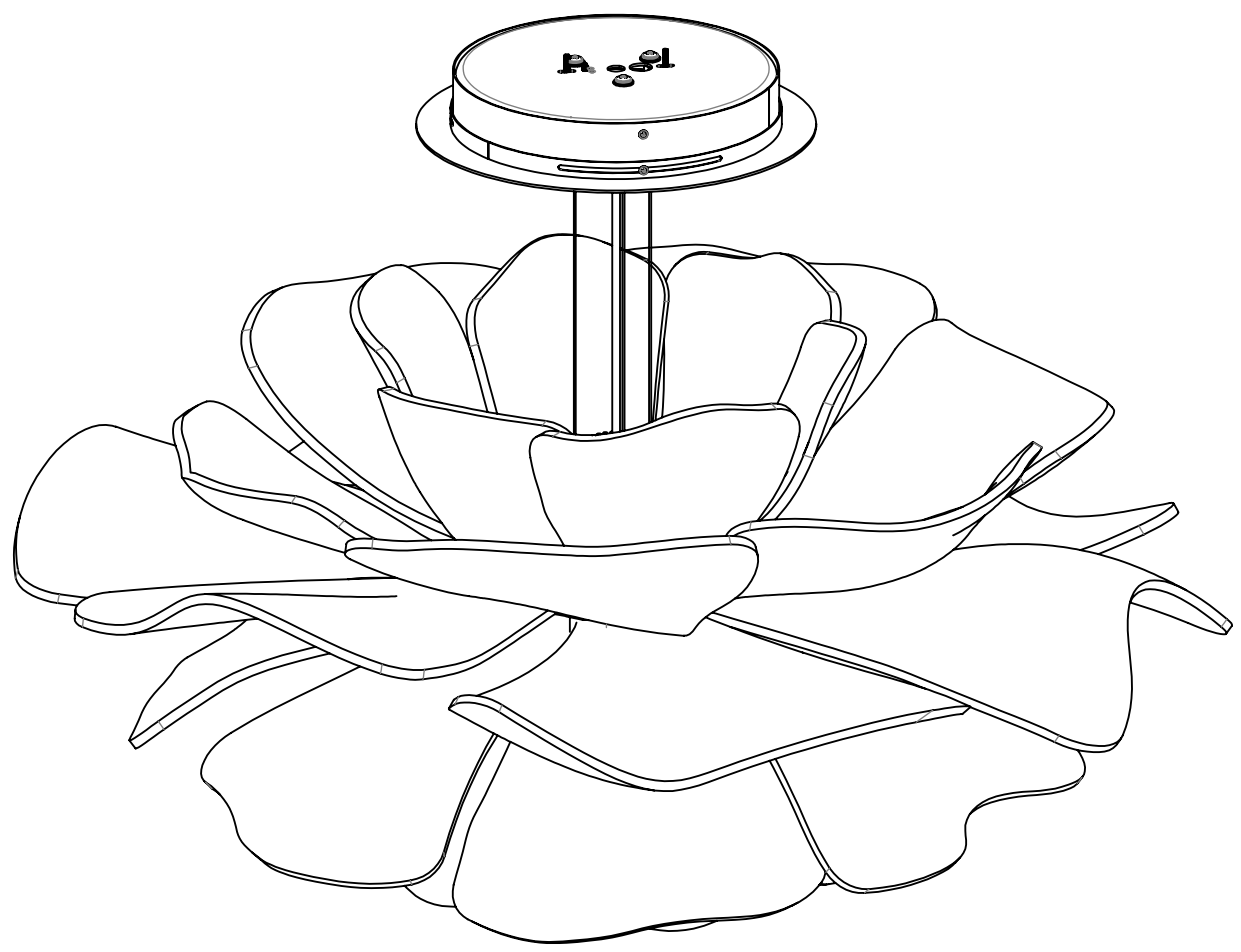


JUNIPER[®]

Love Me Not
Installation Guide



WARNING

**A LICENSED ELECTRICIAN SHOULD PERFORM INSTALLATION.
DISCONNECT MAIN POWER AT THE SOURCE PRIOR TO INSTALLATION.**

INSTRUCTIONS MEANT FOR TWO LOCAL CLASS 2 DRIVERS.

**DUE TO HEAVY WEIGHT OF THE FIXTURE, EXTRA CAUTION IS REQUIRED WHEN HANDLING.
PREFERABLY, TWO PEOPLE SHOULD BE INVOLVED IN THE INSTALLATION OF THE FIXTURE.**

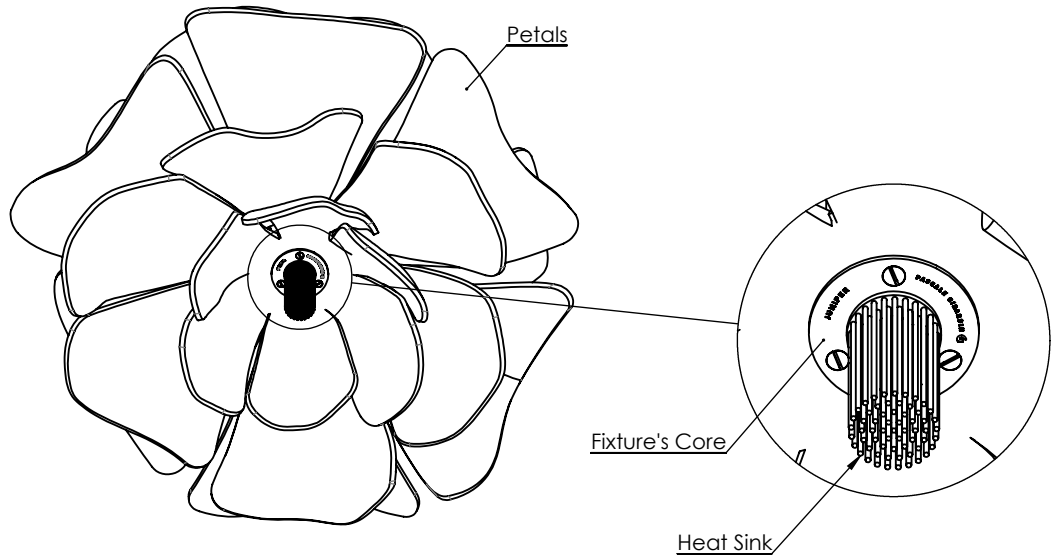


FIGURE 1

CAUTION

When handling the fixture, do not lift it from its petals or heat sink. Fixture should only be lifted from its core.

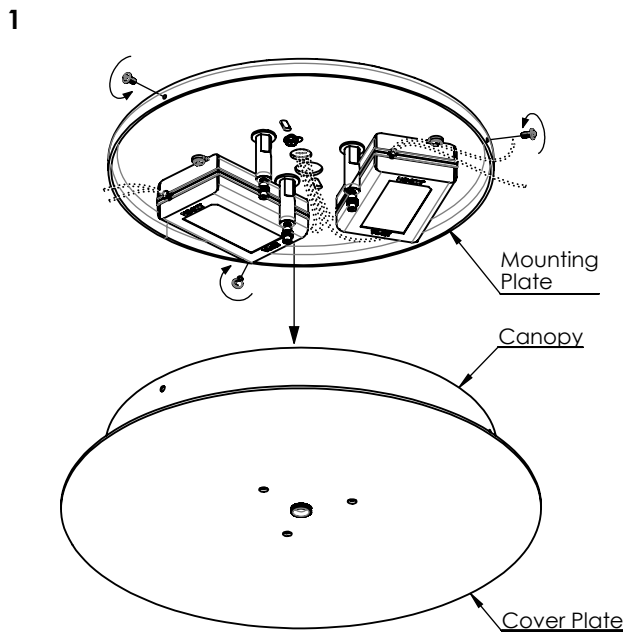


FIGURE 2

Remove screws from the canopy assembly to release the mounting plate. Cover plate can be rotated by loosening the collar screw.

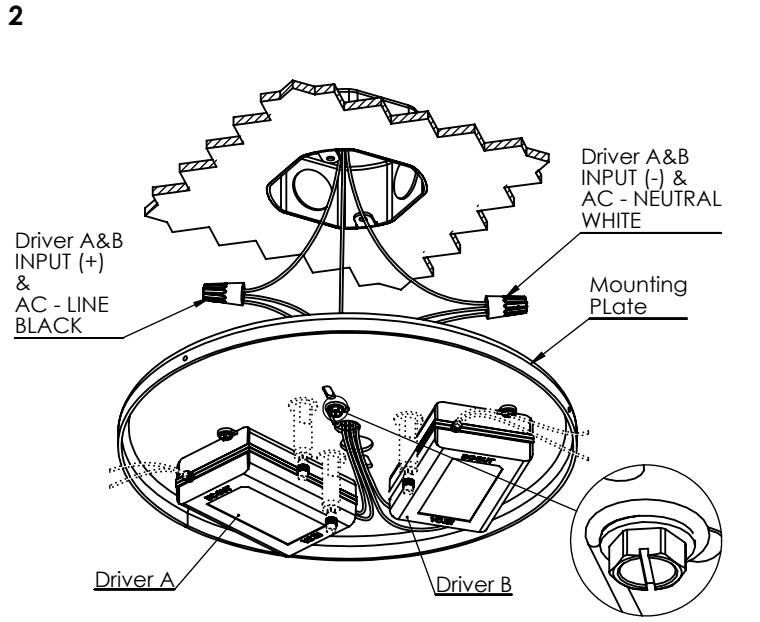


FIGURE 3

Connect the ground wire to ground screw

Pass the 'AC Input' wires of both drivers through the center hole in the mounting plate and connect with AC wires according to the diagram, using provided **orange** wire nuts.

AC wires to the drivers are not provided.

3

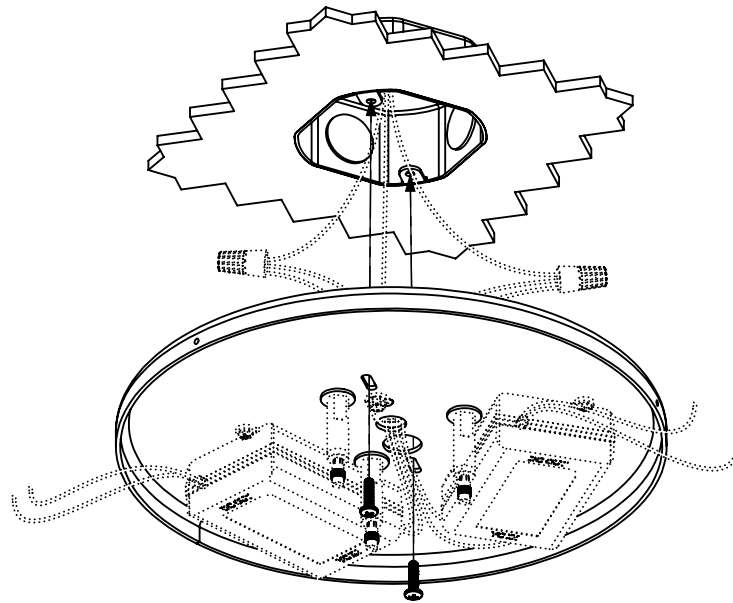


FIGURE 4

Push wires inside the junction box and attach mounting plate with junction box using provided screws.

4

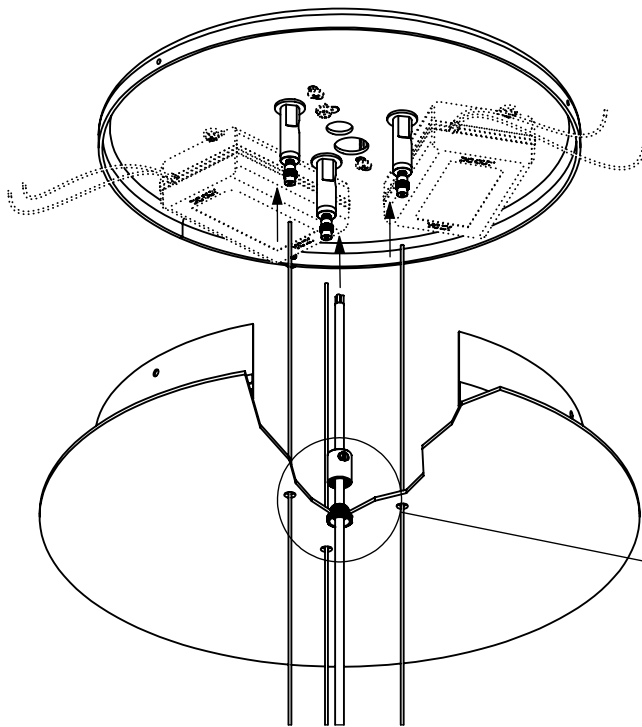


FIGURE 5



FIGURE 6

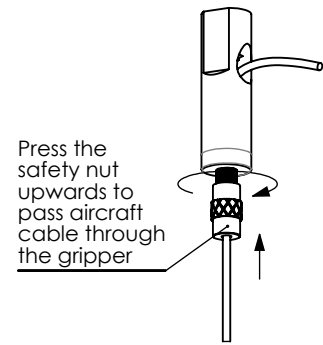


FIGURE 7

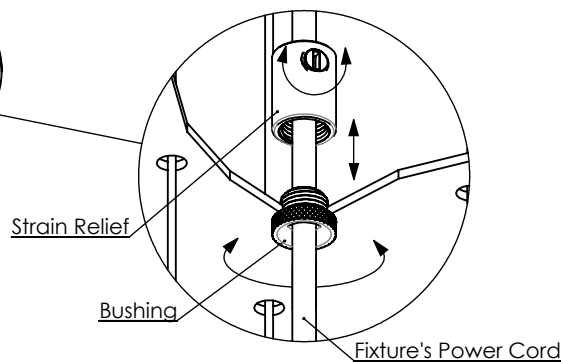


FIGURE 8

For this instruction, lift the fixture only from it's core as shown in figure 1. **Do not lift the fixture from the petals. Doing so will damage the fixture.** One person should lift the fixture, while another person should install the aircraft cables in the canopy.

Pass the aircraft cables through the canopy cover. Partly loosen safety nut on cable gripper. Feed aircraft cable through the gripper. Do this for all aircraft cable ends. Adjust the cable length as needed by pressing the safety nut on the gripper. Tighten safety nut in completely when finished. **Do not cut extra aircraft cable until full fixture is assembled and desired suspension height is achieved.**

Remove the strain relief by unscrewing the bushing. Loosen set screw on the strain relief. Pass the fixture's power cord through the bushing and strain relief. Tighten the set screw, leaving some slack in the power cord. Screw strain relief into the bushing.

5

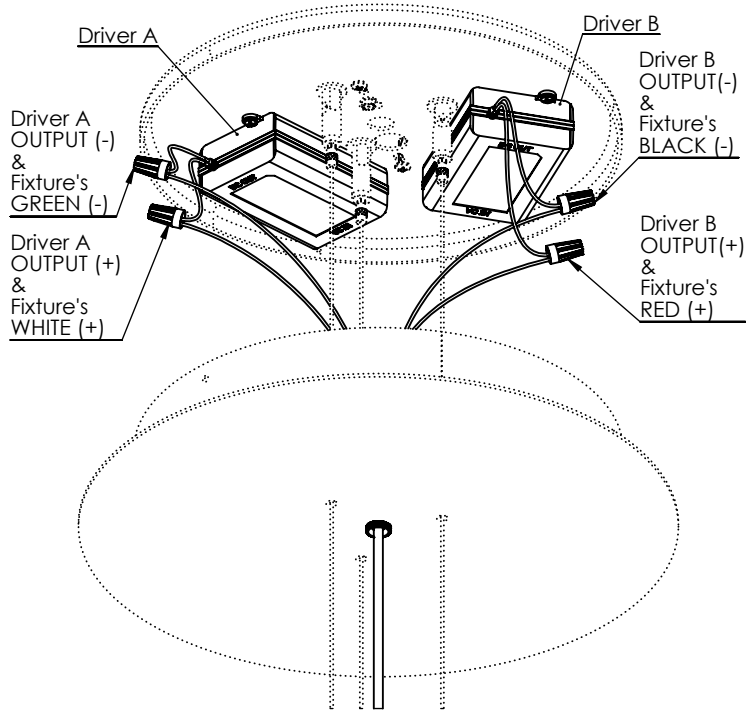


FIGURE 9

Connect wires from fixture to drivers' output according to diagram using provided **blue/grey** wire nuts.

6

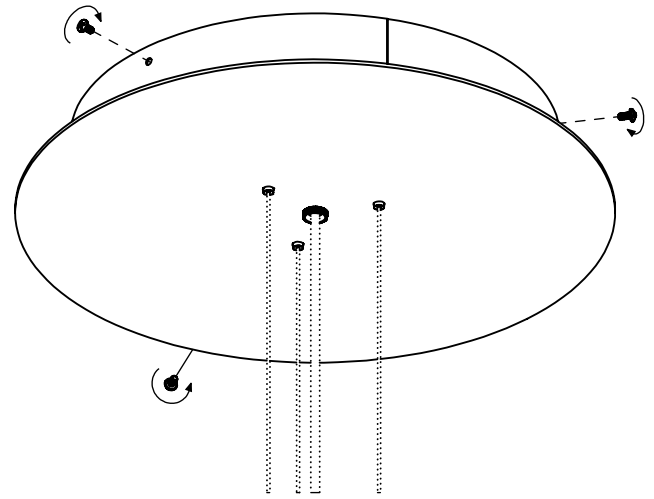


FIGURE 10

With wires inside the canopy cover, fix the canopy cover with the mounting plate using thumb screws removed during the first instruction.

CARE INSTRUCTIONS

Gentle care is required in order to perform occasional cleaning of the fixture. It is strongly advised to use only a feather duster to periodically remove dust from the fixture.

For harder dust buildup, wipe petals using a damp cloth.

Do not attempt to scrub or polish the fixture.

Do not apply force when cleaning the fixture.

Do not use chemical cleaning solution.

Use indoors only.