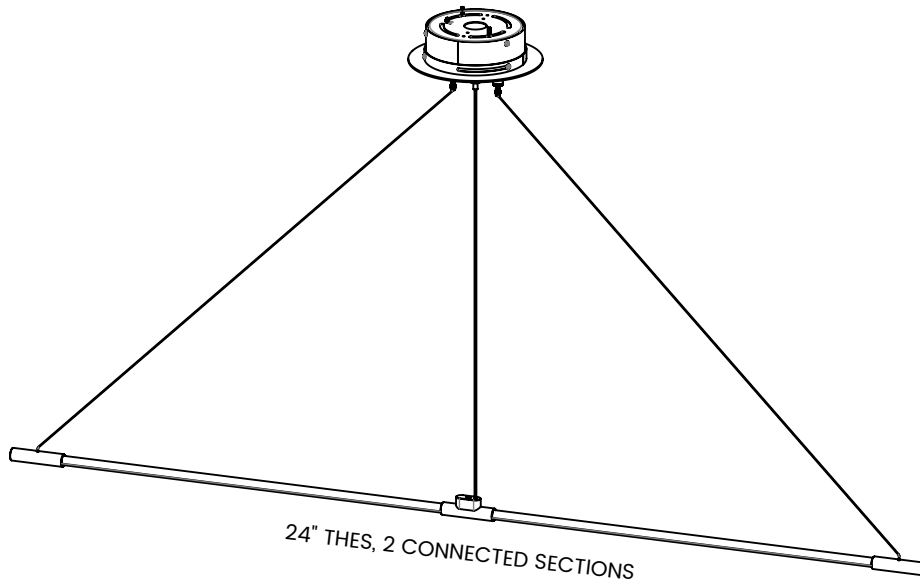


JUNIPER[®] THIN Suspension Center Power Feed Local Installation Guide



WARNING

**A LICENSED ELECTRICIAN SHOULD PERFORM INSTALLATION
DISCONNECT MAIN POWER AT THE SOURCE PRIOR TO INSTALLATION**

INSTRUCTIONS MEANT FOR A LOCAL CLASS 2 DRIVER.

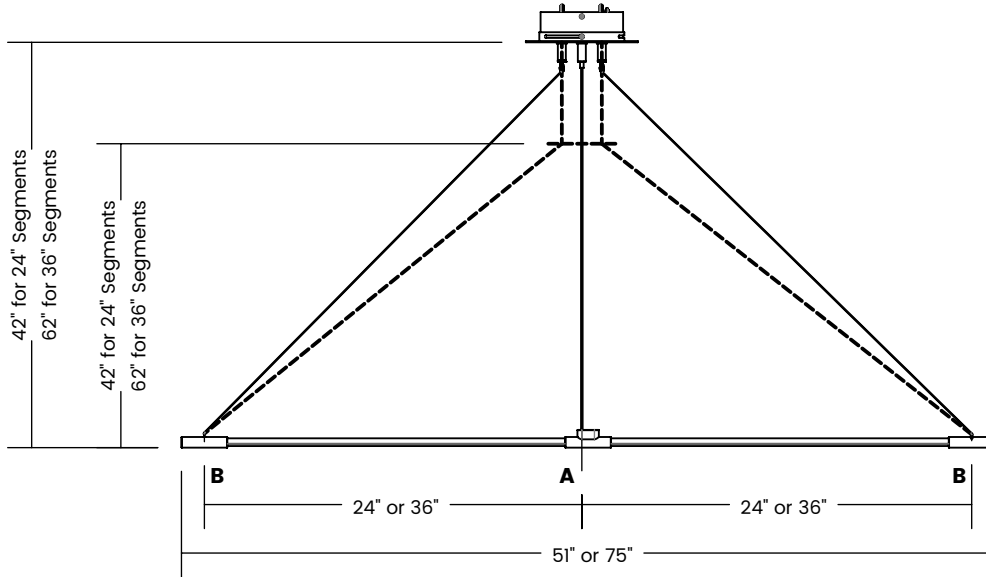


FIGURE 1

KEY

A CENTER POWER SLEEVES MOUNTED BENEATH CANOPY PLATE BETWEEN THE END SLEEVES.

B END SLEEVES MOUNTED AT BOTH ENDS OF FIXTURE.

STEP 1: JUNCTION BOX COVER PLATE INSTALLATION INSTRUCTIONS

1

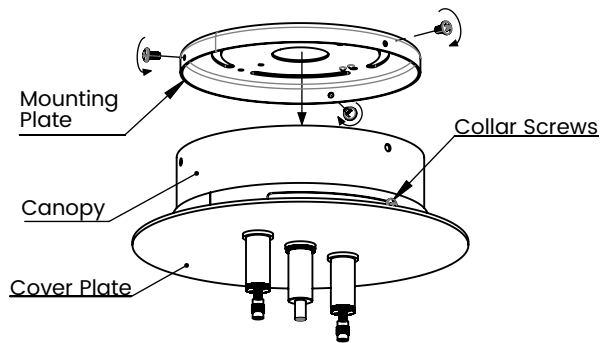


FIGURE 2

Remove Screws from the canopy assembly to release the mounting plate.
Cover plate can be rotated by loosening the collar screw.

2

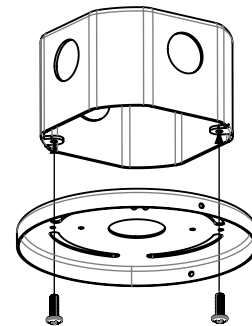
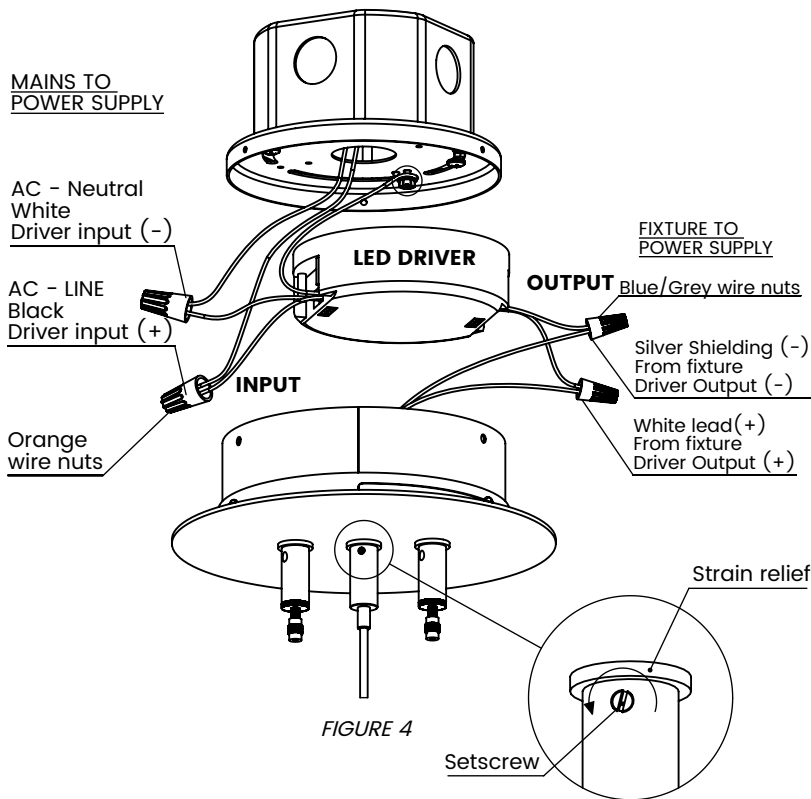


FIGURE 3

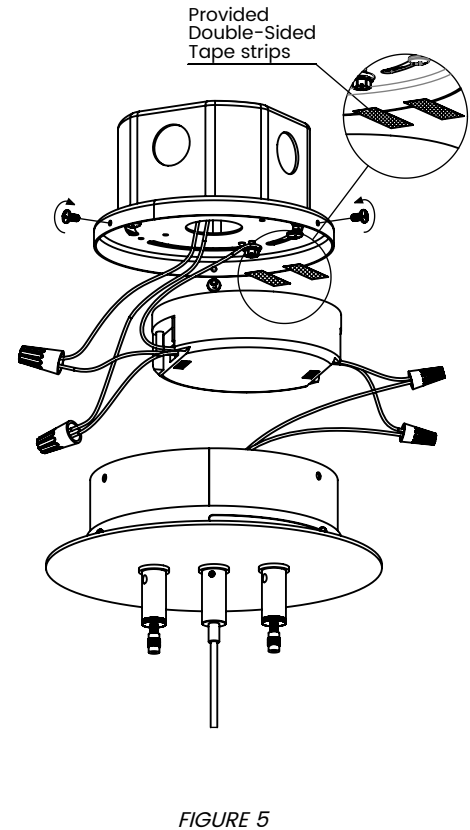
Attach the mounting plate to the Junction box using provided screws.

3



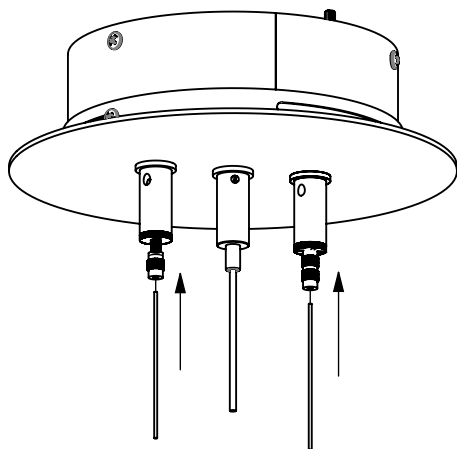
Loosen the set screw on the strain relief. Pass power cable through the strain relief as shown. Connect wires according to diagram (wires nuts provided). **Length of power cord should be adjusted for desired suspension height. AC wires to driver are not provided. Tighten the setscrew on strain relief after adjustment.**

4



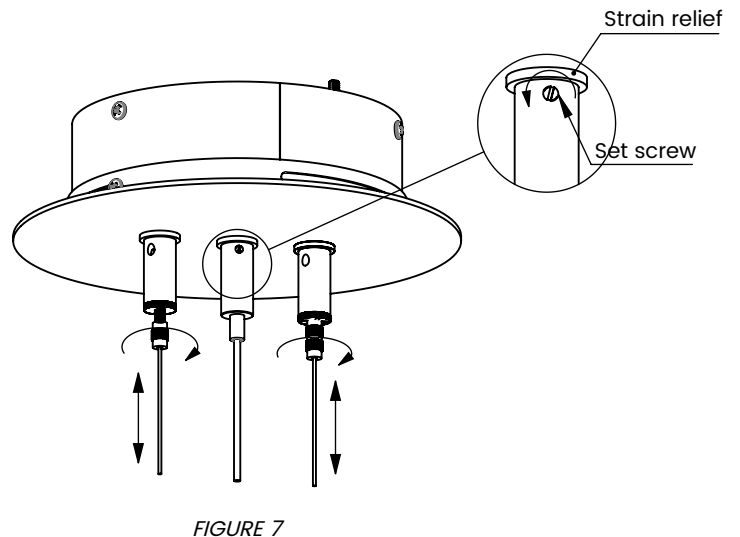
- A. Attach LED Driver to mounting plate using provided double-sided tape strips.
- B. Place wires inside canopy and attach the canopy to mounting plate using screws removed during first instruction.

5



Feed aircraft cable through the grippers as shown above.

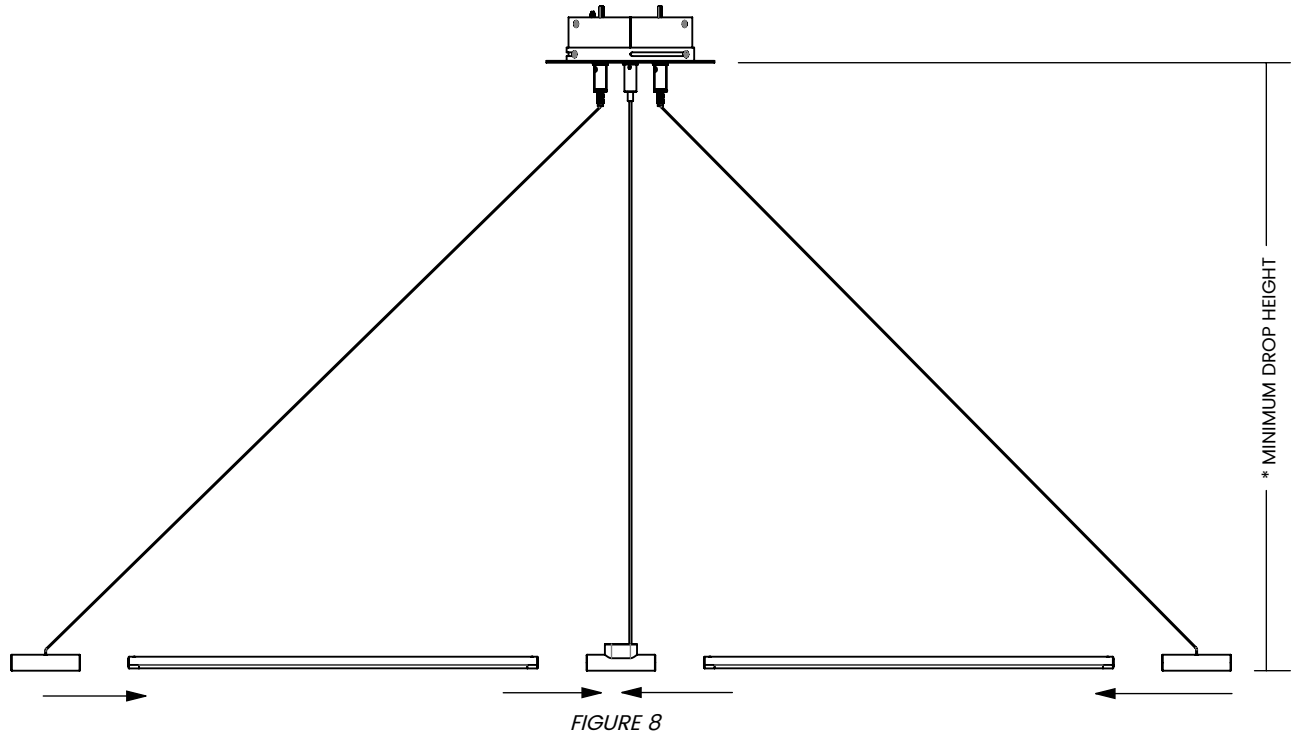
6



Adjust aircraft and power cable length as needed. Press safety nut on gripper to loosen aircraft cable. Tighten safety nut on gripper and set screw on strain relief completely when finished. **Do not cut extra aircraft cable until full fixture is assembled and desired suspension height is achieved.**

STEP 2: LIGHT TUBE INSTALLATIONS

The THIN Suspension fixture is designed with an innovative magnetic connection. Simply insert the light tubes into their sleeves for electrical contact to be made. **To ensure that the light segments are level, use of a laser level is highly recommended.**



*** MINIMUM DROP HEIGHT**

- (2) 24" Segment : 42" Minimum drop height
- (2) 36" Segment : 62" Minimum drop height

1. Drop the fixture's suspension height to meet the minimum requirement shown in Figure 8 to avoid damaging the light tubes.
2. Reconnect main power and insert light tubes into the power end. Push light tubes in carefully until they illuminate.
3. Slide the end sleeves onto the last set of light tubes.

CARE INSTRUCTIONS

Brass will patina over time like other natural metals and regular care is required in order to retain the quality finish of your THIN fixture for years to come.

Gently wipe with a damp cloth to remove dirt, dust, and fingerprints.

Do not use any chemical cleaning solution.

Use indoors only.

STEP 3: INSTALLING CABLE COLLAR (OPTIONAL)

1. Drop the fixture's suspension height to meet the minimum requirement shown in Figure 9 to avoid damaging the light tubes.
2. Install the cable collar as shown in Figure 10.

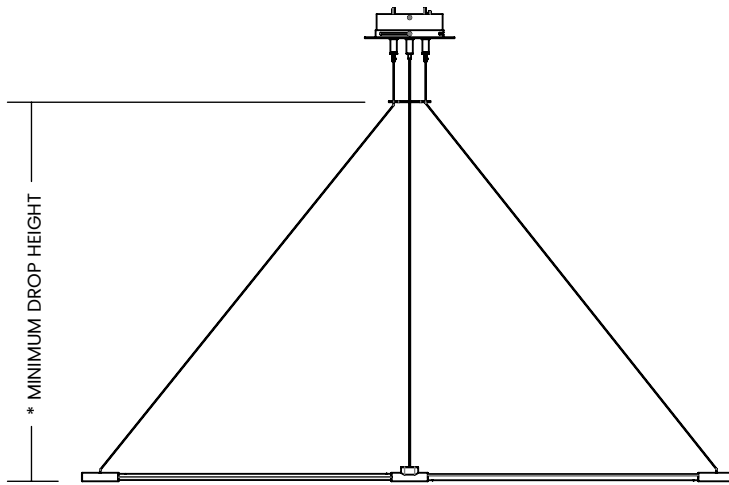


FIGURE 9

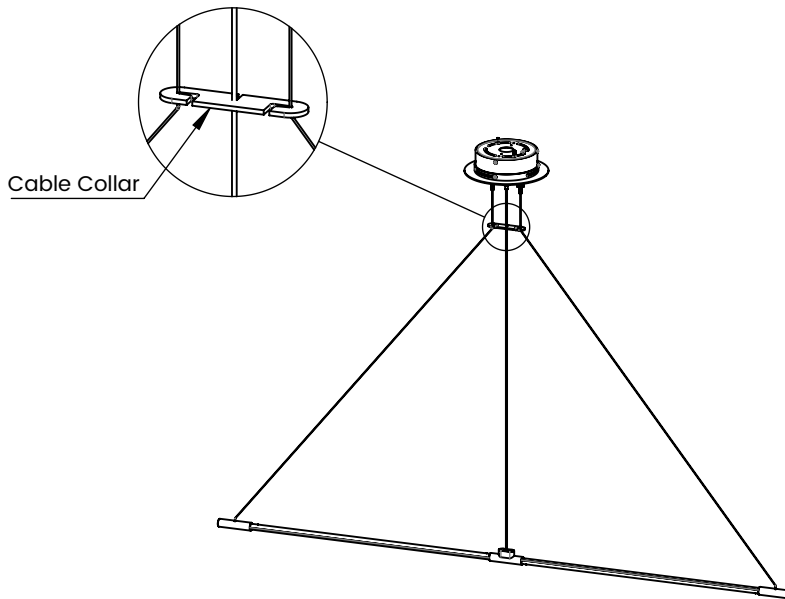


FIGURE 10

*** MINIMUM DROP HEIGHT**

- (2) 24" Segment : 42" Minimum drop height
- (2) 36" Segment : 62" Minimum drop height