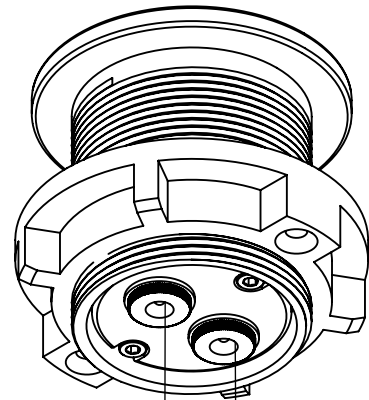
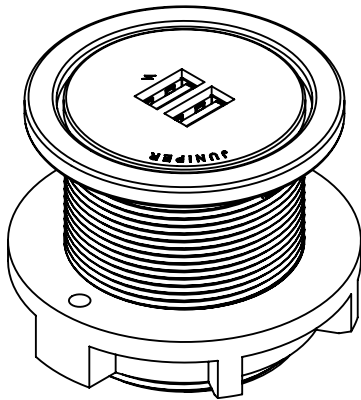
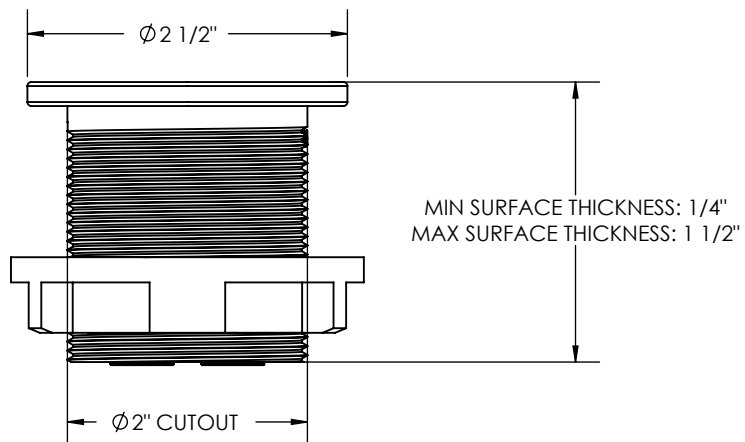


JUNIPER



TO CLASS 2 POWER SUPPLY

(TO FIXTURE)



GROUND CONTROL DOUBLE USB PORT JPR-DKUS

OVERVIEW

USB desk accessory compatible with all Juniper plug-in fixtures for desk and furniture mounting.

WEIGHT

1 lb

MATERIALS

ABS, brass

FINISH OPTIONS

Black Oxide, Satin Brass, Satin Nickel

POWER

12VDC 5A input
5.1V 2.4A output per port
Fast charging supported.

12V 36W plug-in power supply included

USB 2.0 Type A

CABLING

6' braided cord with 2.1mm male DC connector and wall plug

PROTECTION FEATURES

OVP – Output over voltage protection
OCP – Output over current protection
OTP – Over temperature protection
OSCP – Output short circuit protection

MOUNTING INSTRUCTIONS

Ø2" cutout for grommet
2" clearance for cord at base of grommet