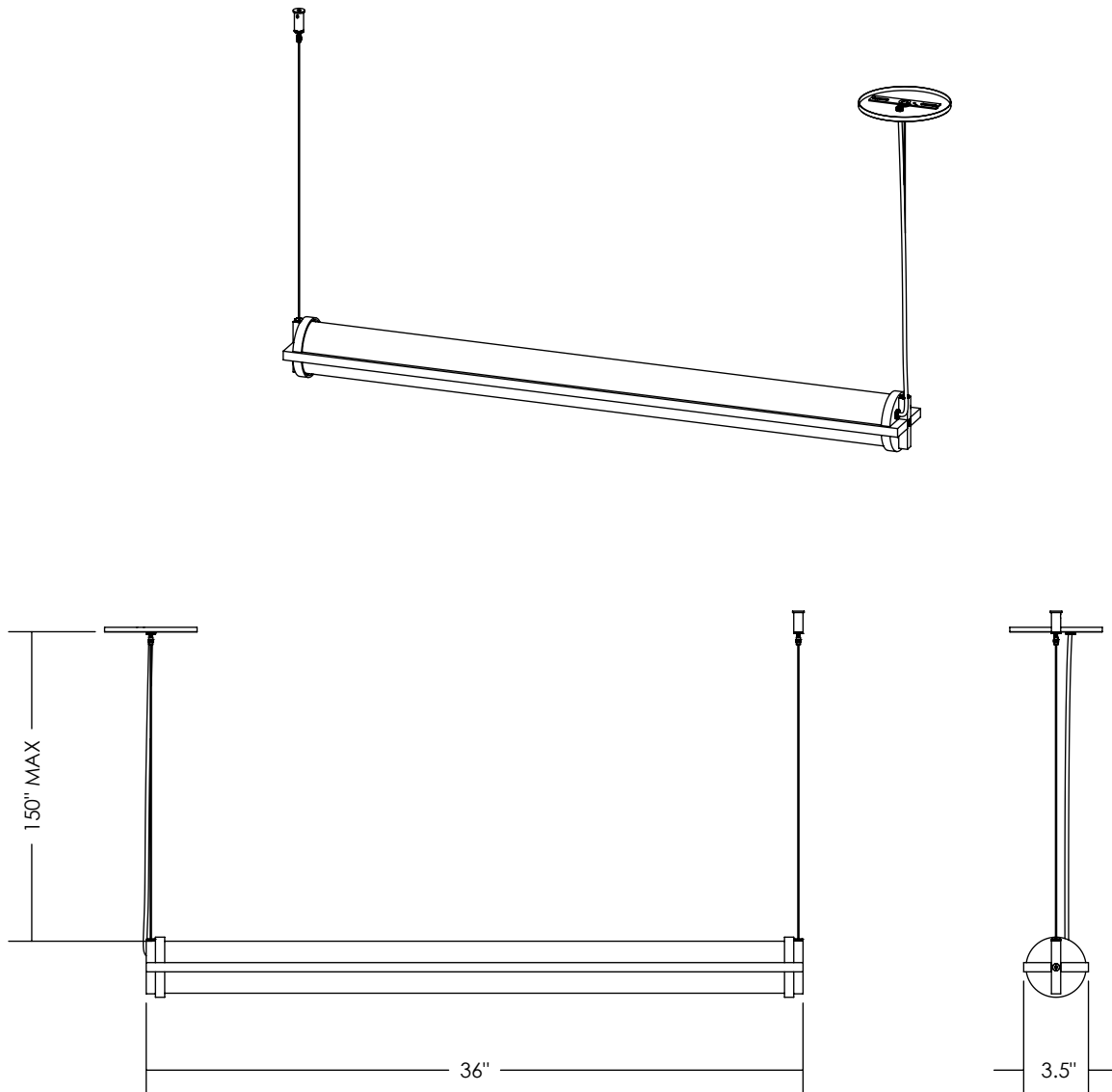


# JUNIPER



## METROPOLIS SUSPENSION JPR-MTRS 36" CONFIGURATION

### OVERVIEW

Suspended linear LED fixture featuring independent uplight/downlight control capability

### WEIGHT

8 lbs

### MATERIALS

Aluminum, Frosted Acrylic, (Blackened Steel Mesh)

### FINISH OPTIONS

Satin Brass, Satin Aluminum, Polished Aluminum

### ILLUMINATION & POWER

6100 LM  
90 CRI  
2400K, 2700K, 3000K

Direct/Indirect lighting

61W total  
Class 2, 120-277 AC input, 24VDC output

### DIMMING OPTIONS

2-Wire/TRIAC/Forward-Phase  
3-Wire/EcoSystem  
0-10V

### CANOPY

Ø 5" canopy plate in matching finish  
2" mini mounting plate in matching finish

### SUSPENSION & MOUNTING

150" aircraft cable with grippers provided

### MESH (OPTIONAL)

Black hexagonal mesh diffuser available

### CABLING

16' silver cord field adjustable