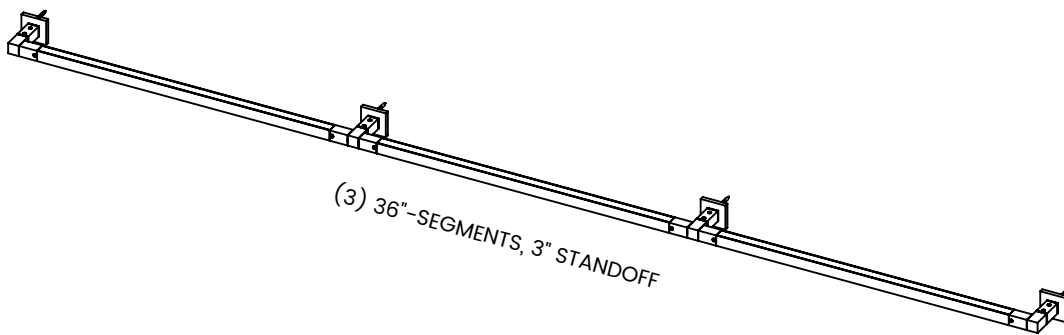
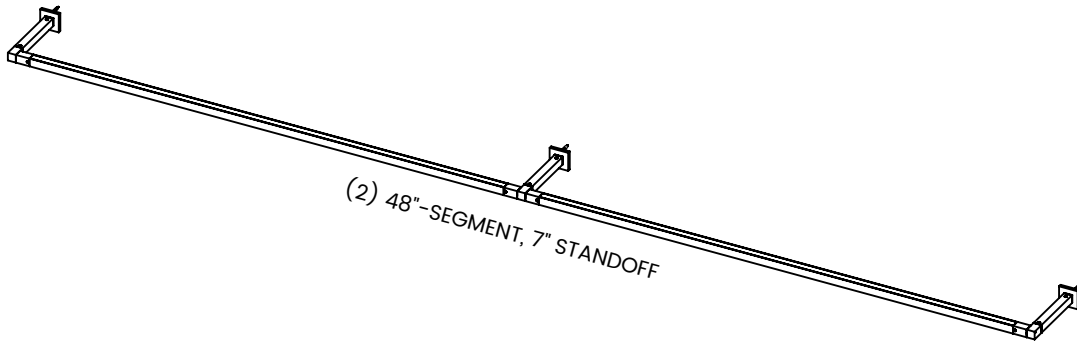
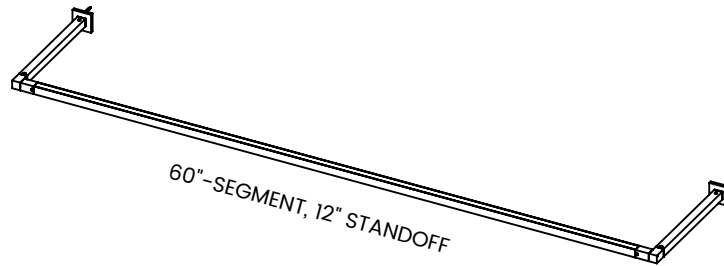


JUNIPER[®] RAIL Outdoor Lighting System Installation Guide



SHOWN ARE EXAMPLES OF CONFIGURATION POSSIBILITIES. SPECIFIC FIXTURE CONFIGURATION MAY VARY.

WARNING

A LICENSED ELECTRICIAN SHOULD PERFORM INSTALLATION. DISCONNECT MAIN POWER AT THE SOURCE PRIOR TO INSTALLATION.

INSTRUCTIONS MEANT FOR A REMOTE CLASS 2 DRIVER.

STEP 1: MARK MOUNTING POINTS

Carefully mark the mounting points with a pencil or marker, using the spacing indicated below. **It is highly recommended to use a laser alignment/ measuring tool to ensure that mounted parts are properly distanced and fall on a straight line.**

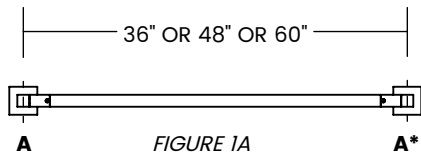


FIGURE 1A

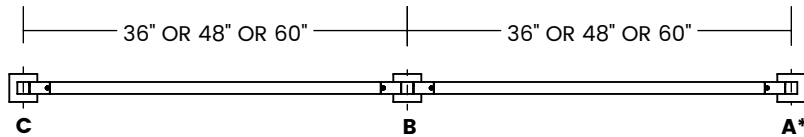


FIGURE 1B

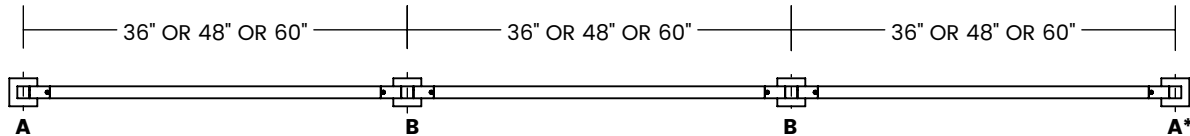
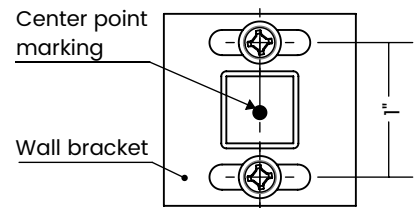


FIGURE 1C



A/A*/B

FIGURE 1D

Use spacing shown to mark center points for wall brackets. Place the wall bracket at the center point marking to mark mounting points for screws as shown in Figure 1B.

A START SEGMENT LIMITS ROTATION OF LIGHT TUBE. IT IS INSTALLED ON THE **LEFT**-HAND SIDE OF THE FIXTURE. THE STANDOFF SUPPLIES POWER TO THE LIGHT TUBE INSTALLED IN IT.

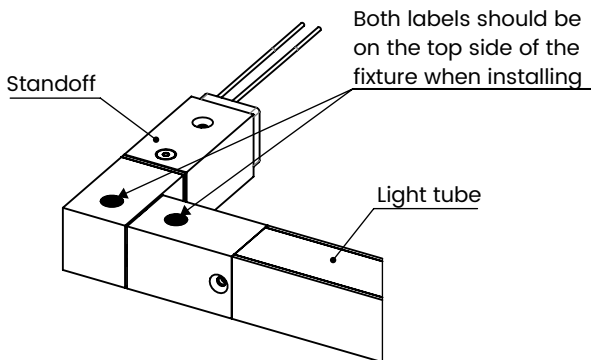


FIGURE 2A

A* END STANDOFF LIMITS ROTATION OF LIGHT TUBE. IT IS INSTALLED ON THE **RIGHT**-HAND SIDE OF THE FIXTURE.

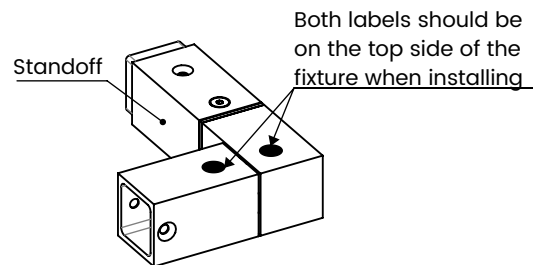


FIGURE 2B

B CENTER SEGMENT LIMITS ROTATION OF LIGHT TUBES. IT IS INSTALLED BETWEEN LIGHT TUBES. THE STANDOFF SUPPLIES POWER TO THE LIGHT TUBE INSTALLED IN IT.

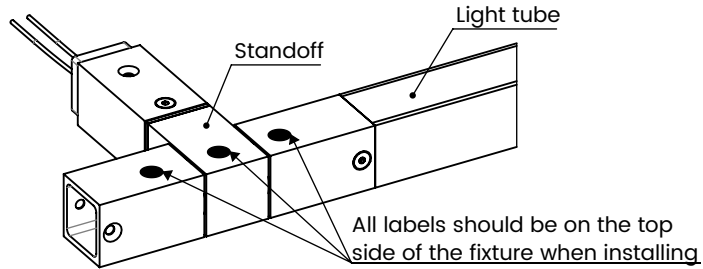


FIGURE 2C

STEP 2: INSTALLATION

1

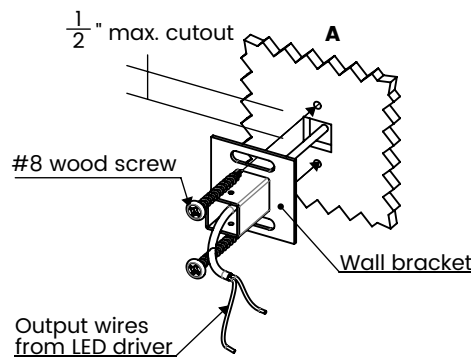


FIGURE 3

- A. Make a cutout in the wall to receive low voltage output wires from remotely located LED driver as shown.
- B. Install the first wall bracket, using provided #8 wood screws.
Wood screws are provided for default installation. Alternate screws may be used at the recommendation of an electrician.

2

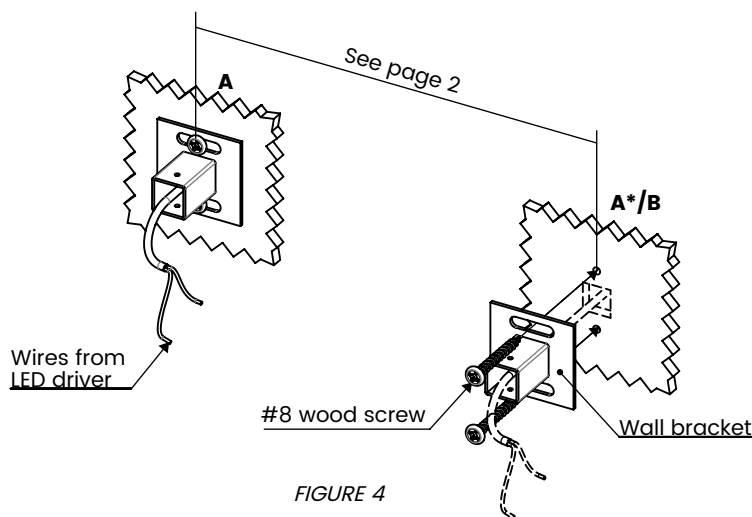
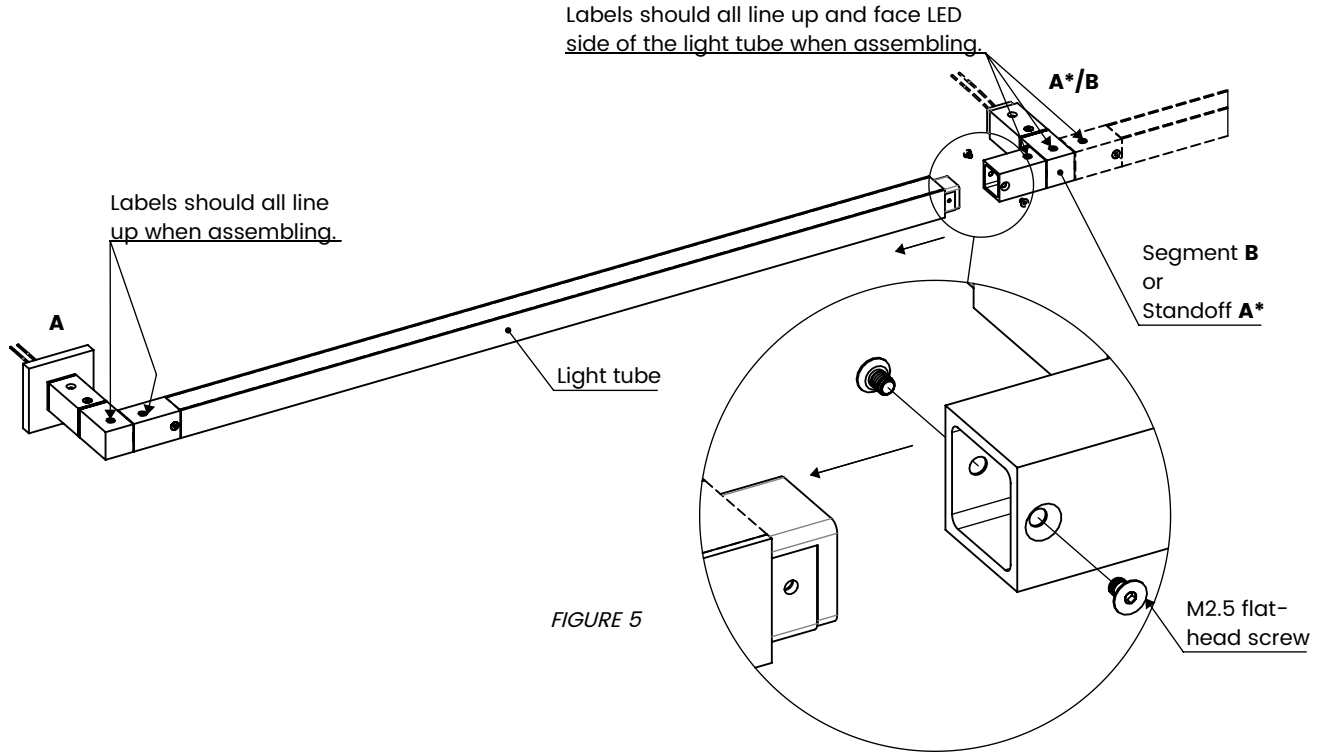


FIGURE 4

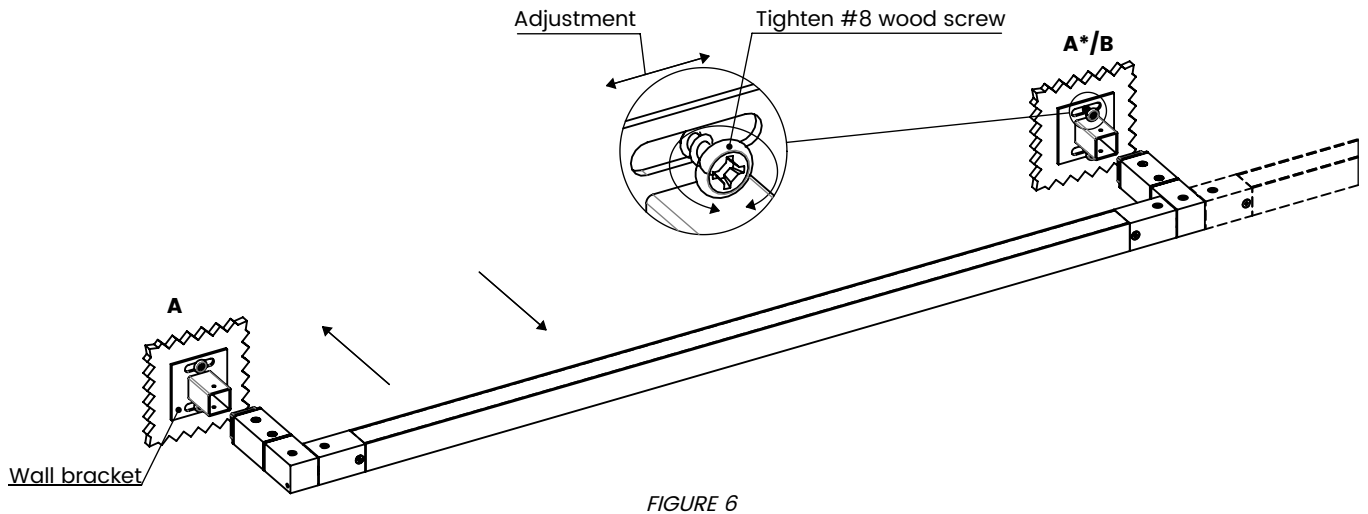
- A. **For B wall bracket only**, make a cutout in the wall to receive low voltage output wires from remotely located LED driver as shown.
- B. Install the second wall bracket. Do not tighten the #8 wood screws at this point to make use of the adjustment in the wall bracket later on.

3



Use provided M2.5 flat-head screws to install the light tube of **A** in the standoff **A*** or segment **B** depending on the fixture configuration being installed. **Labels on standoffs should all line up when assembling.**

4



- A. Slide the assembly, made in previous instruction, onto the installed wall brackets. Do not wire the segments with the LED driver at this point.
- B. Tighten the #8 wood screws on **A*/B** wall mount to fix the wall mount in place.
- C. Remove the assembly from the wall mounts.

5

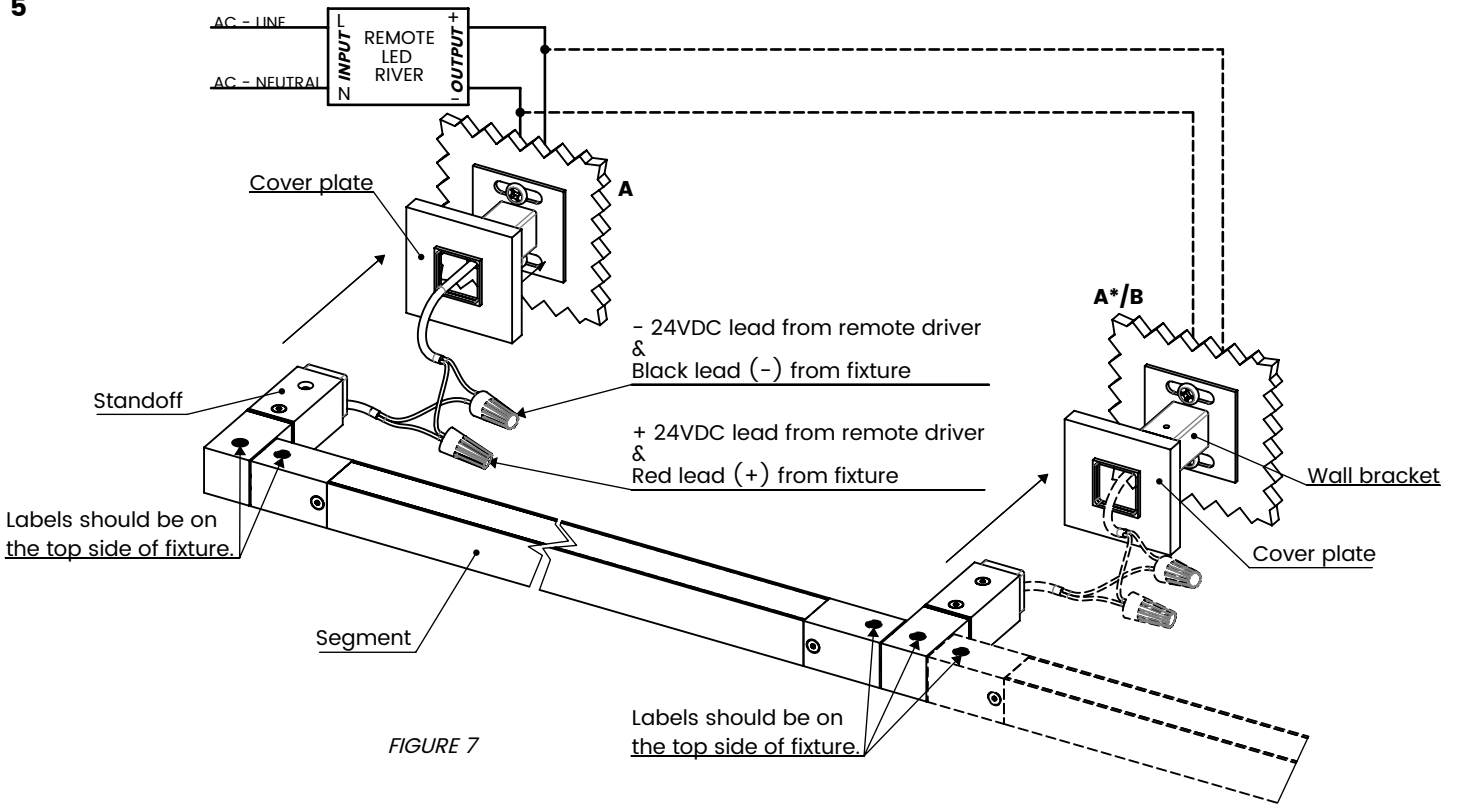


FIGURE 7

- A. Slide the cover plate onto the installed wall brackets as shown.
- B. **For A and B segments only**, Connect the wires coming out of the standoffs with the low voltage wires coming out of the wall brackets using provided wire nuts and place the connected wires in the wall bracket.
- C. Slide the segment(s) onto the wall brackets.
Wires to and from the driver are not provided.

6 For multiple light tube fixture configurations only. For single light tube configuration skip to instruction 9

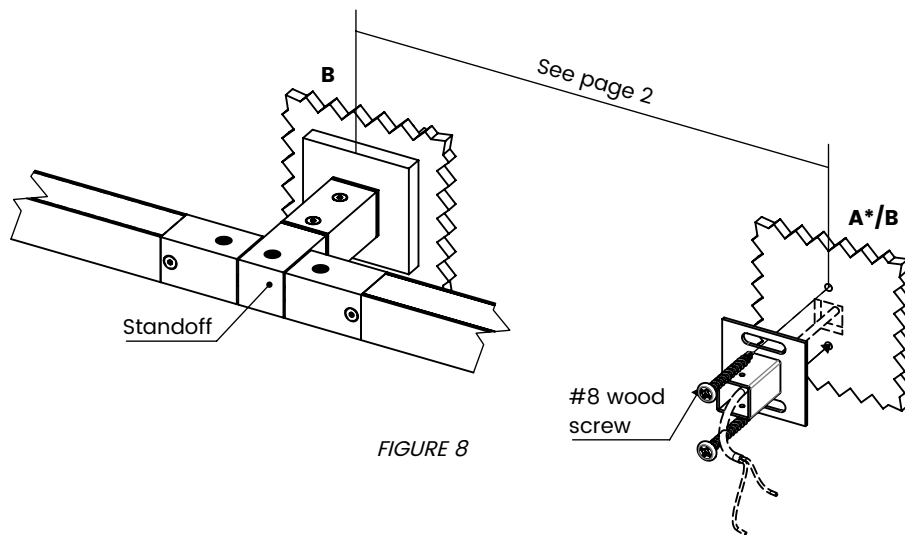


FIGURE 8

- A. **For B wall bracket only**, make a cutout in the wall to receive low voltage wires from remotely located LED driver as shown.
- B. Install the third wall bracket. Do not tighten the #8 wood screws at this point to make use of the adjustment in the wall bracket later on.

7 For multiple light tube fixture configurations only. For single light tube configuration skip to instruction **9**

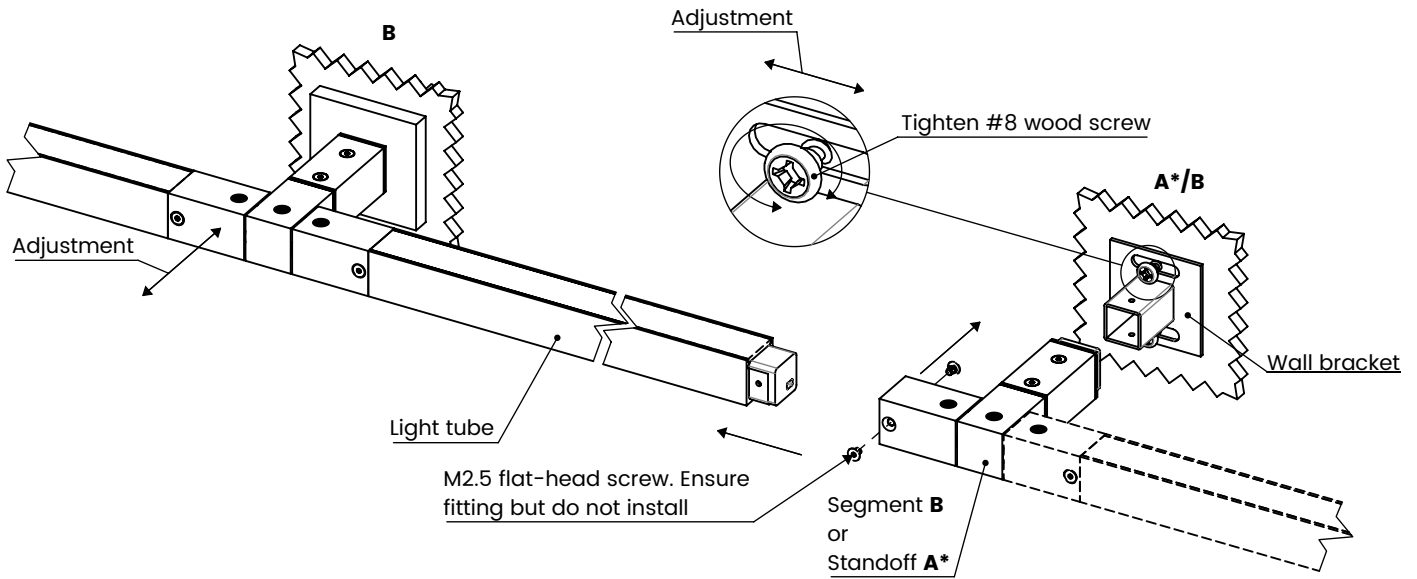


FIGURE 9

- A. Insert the light of the installed segment **B** into the following standoff **A*** or segment **B**, depending on the fixture configuration being installed.
- B. Slide the segment **B** or standoff **A*** onto the installed wall bracket as shown.
- C. Ensure that the M2.5 flat-head screws fit in the light tube of segment **B** before tightening down the #8 wood screws on **A*/B** wall bracket.
- D. Remove the segment **B** /standoff **A*** from the wall bracket **A*/B**.

8 For multiple light tube fixture configurations only. For single light tube configuration skip to instruction **9**

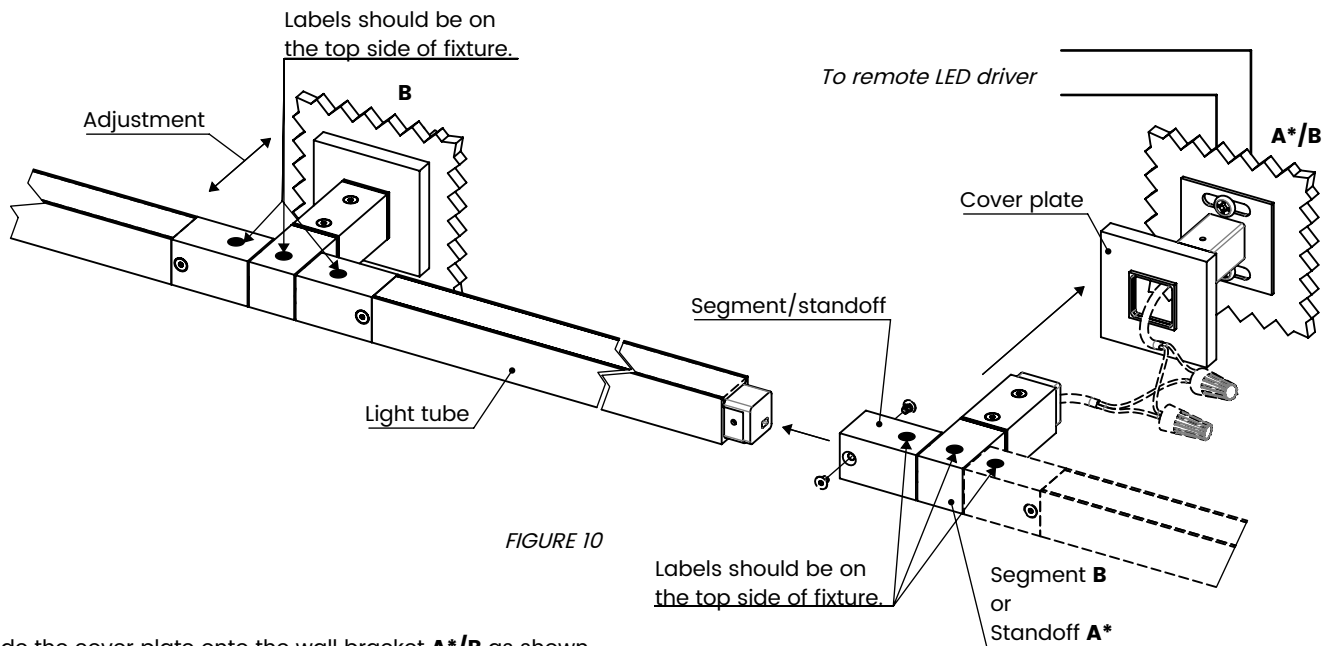


FIGURE 10

- A. Slide the cover plate onto the wall bracket **A*/B** as shown.
- B. **For B segment only**, Connect the wires coming out of the standoffs with the low voltage wires coming out of the wall brackets using provided wire nuts and place the connected wires in the wall bracket.
- C. Use provided M2.5 flat-head screws to install the light tube of segment **B** as shown and slide the standoff onto the wall bracket **A*/B**. Use adjustment in standoff **B** to do this.

Repeat instructions **6-8** to install additional segments.

9

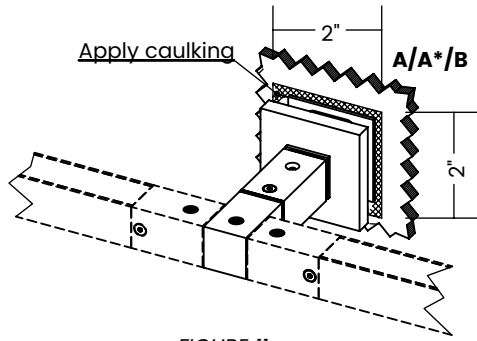


FIGURE 11

Apply caulking around the edge of the wall bracket in the area shown above to make the fixture watertight.

10

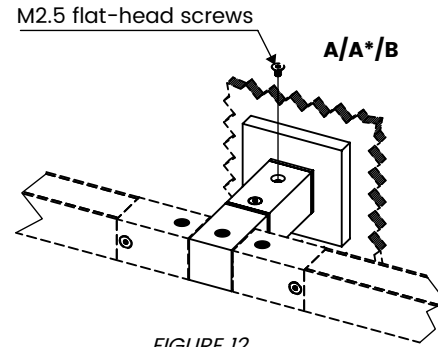


FIGURE 12

Push the standoffs firmly against the wall. Install the provided M2.5 flat-head screws to secure the standoff in place. Remove labels from standoffs after completing instructions. **Extra M2.5 flat-head screws are provided with fixture.**

CARE INSTRUCTIONS

Gently wipe with a damp cloth to remove dirt, dust, and fingerprints.
Do not use any chemical cleaning solution.