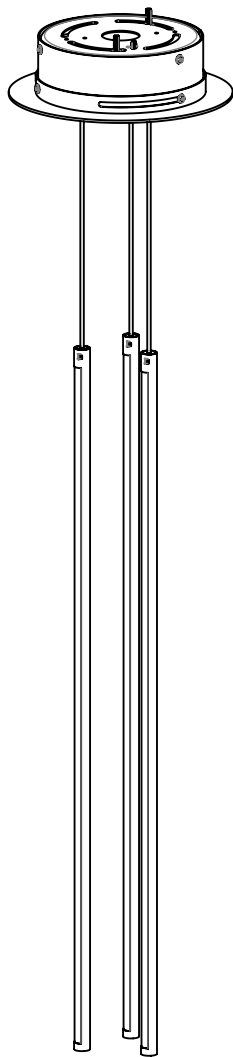
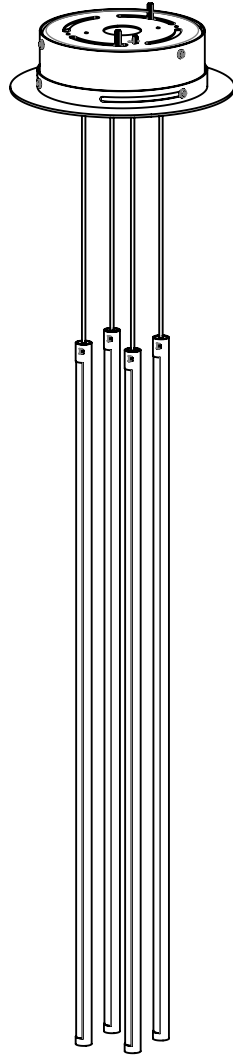


# JUNIPER®

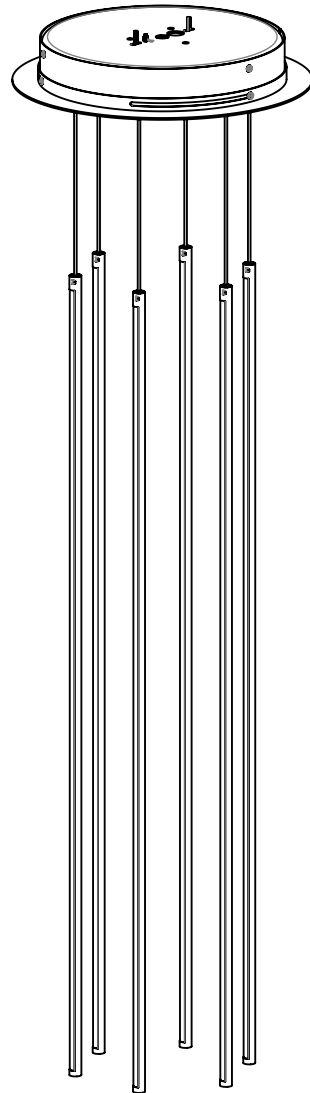
## THIN Vertical Suspension LOCAL Installation Guide



3-LIGHT TUBE  
Configuration



4-LIGHT TUBE  
Configuration



6-LIGHT TUBE  
Configuration

SHOWN ARE EXAMPLES OF CONFIGURATION POSSIBILITIES. SPECIFIC FIXTURE CONFIGURATION MAY VARY.

**WARNING**

**A LICENSED ELECTRICIAN SHOULD PERFORM INSTALLATION.  
DISCONNECT MAIN POWER AT THE SOURCE PRIOR TO INSTALLATION.**

**INSTRUCTIONS MEANT FOR A LOCAL CLASS 2 DRIVER.**

**STEP 1: JUNCTION BOX COVER PLATE INSTALLATION INSTRUCTIONS**

**1**

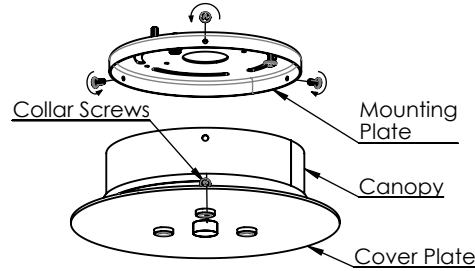


FIGURE 1

Remove screws from the canopy assembly to release the mounting plate. Cover plate can be rotated by loosening the collar screw.

**2**

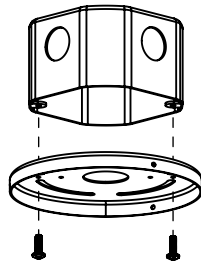


FIGURE 2

Attach the mounting plate to the junction box using provided screws.

**3**

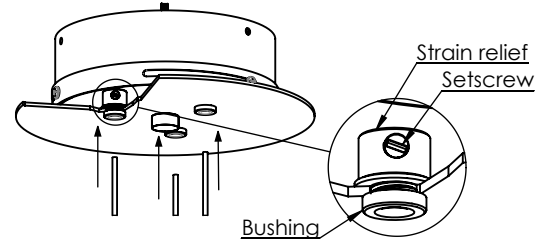


FIGURE 3

Loosen the set screw on the strain relief. Pass power cable through bushing and strain relief as shown. Adjust the length of power cord for desired suspension height. Tighten setscrew on strain relief after adjustment.

**4**

**MAINS TO POWER SUPPLY**

AC - LINE  
BLACK  
Driver Input (+)

Orange  
wire nuts

**INPUT**

AC - Neutral  
White  
Driver Input (-)

Driver Output (+)  
White lead (+)  
from fixture

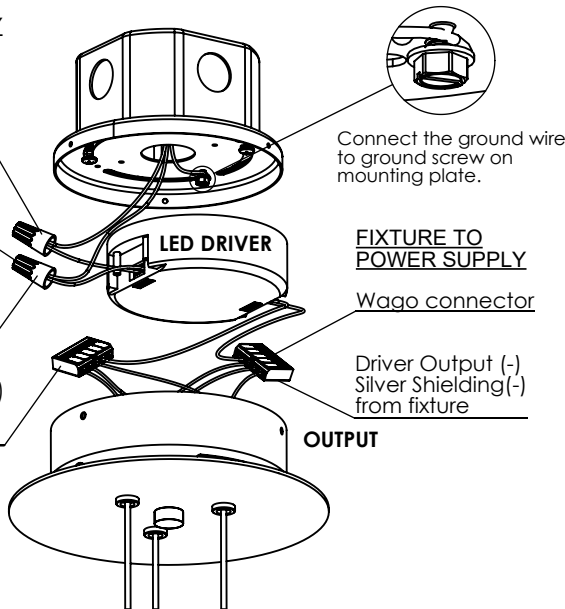


FIGURE 4

Connect wires according to diagram (wago connector provided). AC Wires to the driver are not provided.

**5**

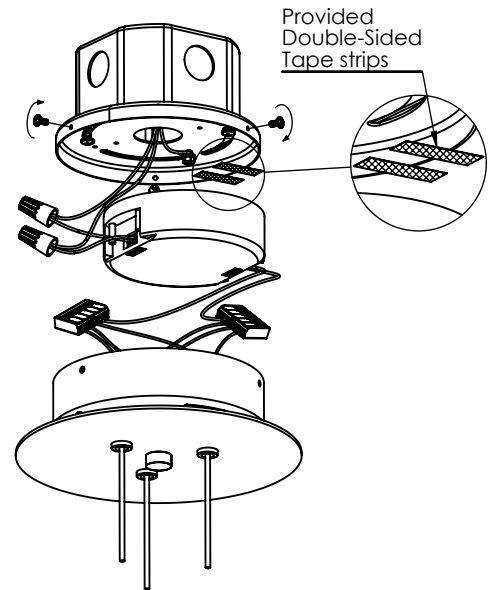


FIGURE 5

- A. Attach LED Driver to mounting plate using provided double-sided tape strips.
- B. Place wires inside canopy and attach the canopy to mounting plate using screws removed during first instruction.

**CARE INSTRUCTIONS**

Brass will patina over time like other natural metals and regular care is required in order to retain the quality finish of your THIN fixture for years to come.  
Gently wipe with a damp cloth to remove dirt, dust, and fingerprints.  
Do not use any chemical cleaning solution.  
Use indoors only.