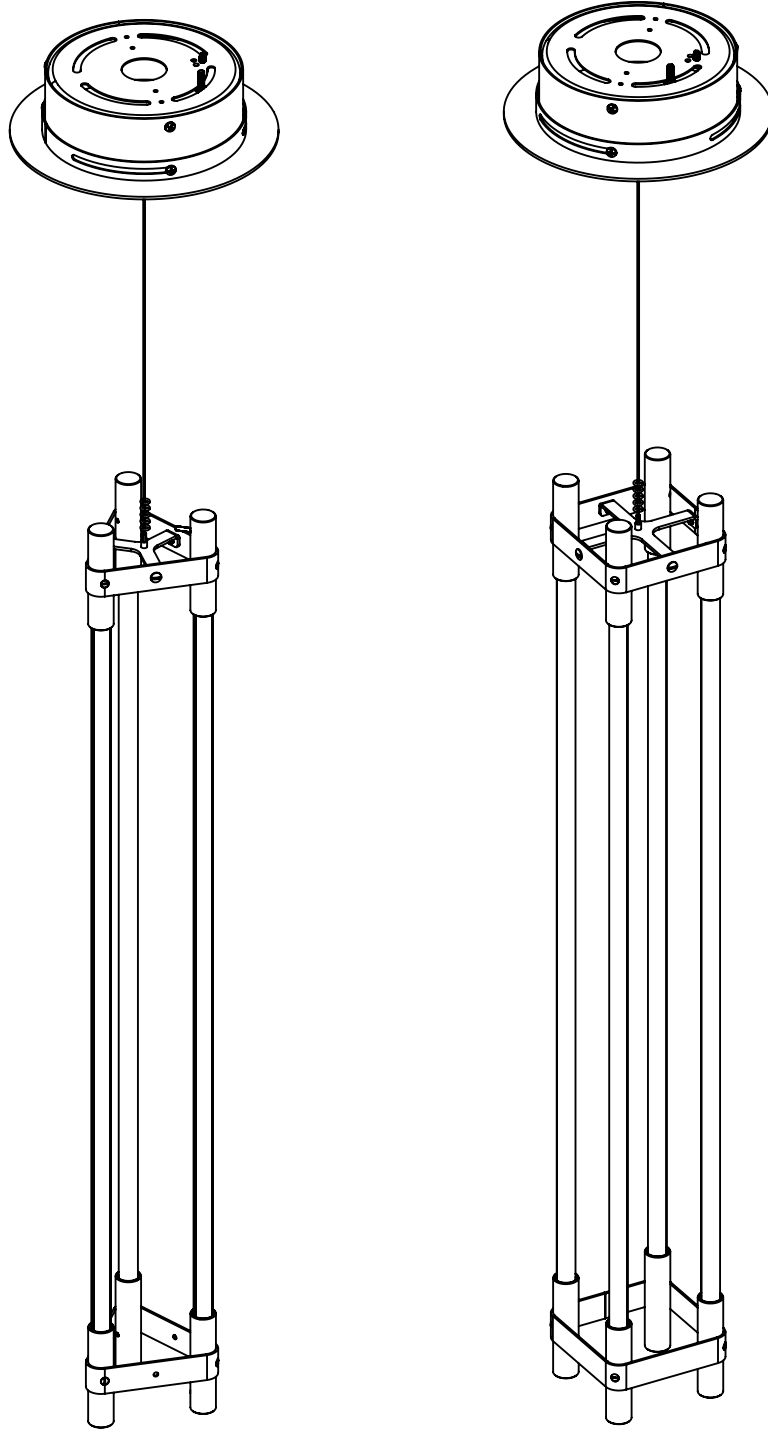


JUNIPER®

THIN Multiples Vertical Suspension Local Installation Guide



Vertical TRIAD

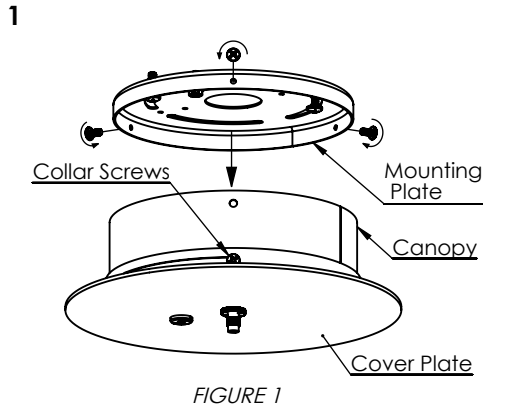
Vertical TETRAD

WARNING

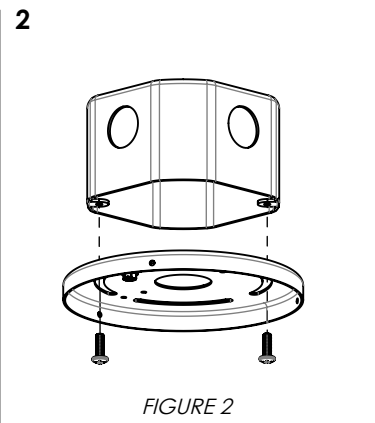
A LICENSED ELECTRICIAN SHOULD PERFORM INSTALLATION. DISCONNECT MAIN POWER AT THE SOURCE PRIOR TO INSTALLATION.

INSTRUCTIONS MEANT FOR A REMOTE CLASS 2 DRIVER.

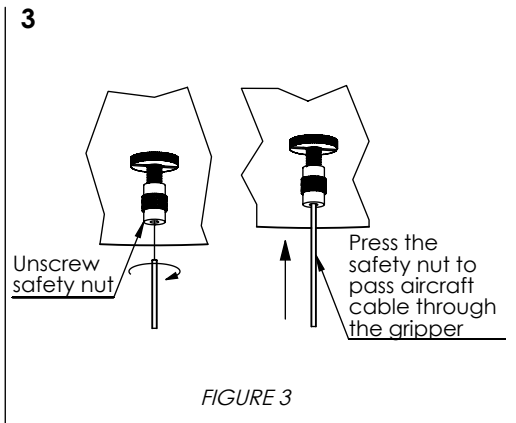
STEP 1: JUNCTION BOX COVER PLATE INSTALLATION INSTRUCTIONS



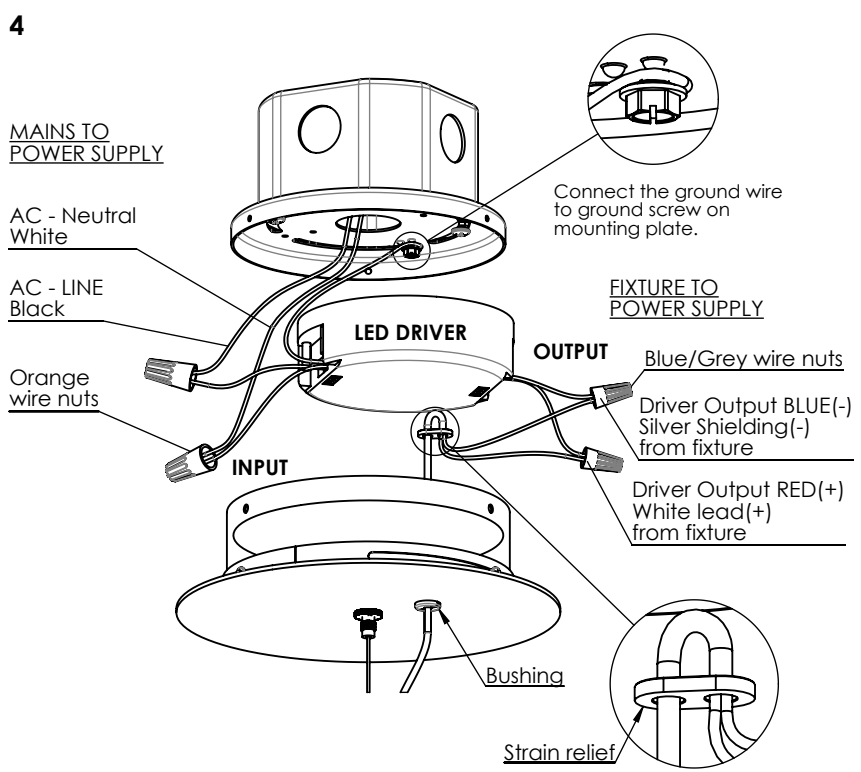
Remove screws from the canopy assembly to release the mounting plate. Cover plate can be rotated by loosening the collar screw.



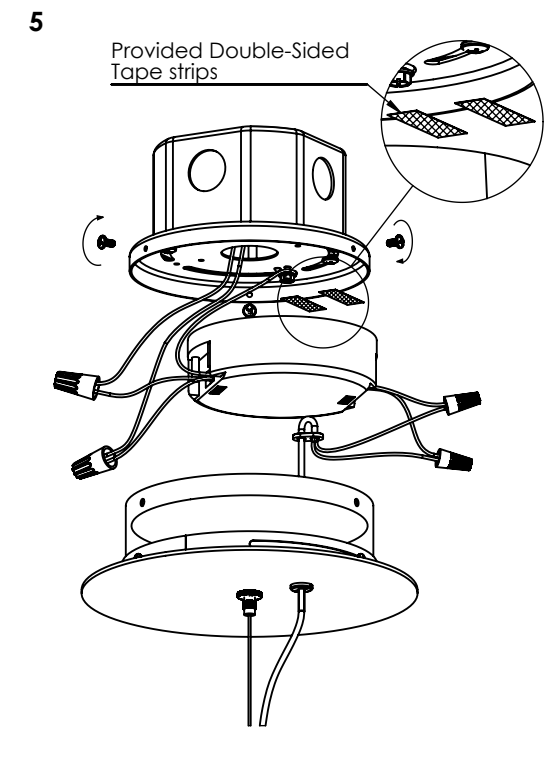
Attach the mounting plate to the junction box using provided screws.



Partly loosen safety nut on cable gripper. Feed aircraft cable through the gripper. Press safety nut to adjust the length of aircraft cable. Tighten the safety nut after adjusting the aircraft cable.



Pass power cable through bushing and strain relief as shown. Connect wires according to diagram (wire nuts provided). **AC Wires to the driver are not provided.**



A. Attach LED Driver to mounting plate using provided double-sided tape strips.
 B. Place wires inside canopy and attach the canopy to mounting plate using screws removed during first instruction.

STEP 2: LIGHT TUBE INSTALLATIONS

The THIN Multiples fixture is designed with an innovative magnetic connection. Simply insert the light tubes into their sleeves for electrical contact to be made.

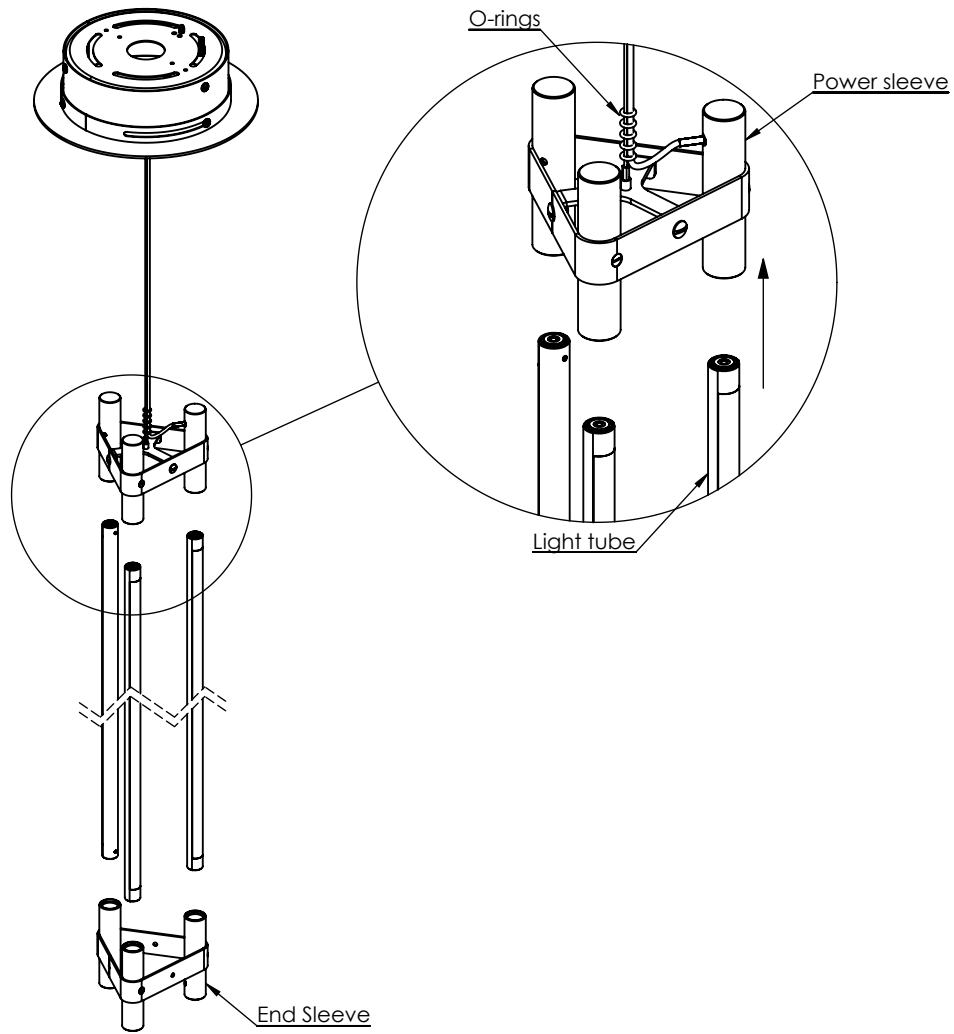


FIGURE 6

1. Reconnect main power and insert light tubes into the power sleeve. Push light tubes in carefully until they illuminate.
2. Slide the end sleeve onto the light tubes.
3. Space the O-rings apart on the power sleeve along the length of the cable to constrain the power cord to aircraft cable.

CARE INSTRUCTIONS

Brass will patina over time like other natural metals and regular care is required in order to retain the quality finish of your THIN fixture for years to come.

Gently wipe with a damp cloth to remove dirt, dust, and fingerprints.

Do not use any chemical cleaning solution.

Use indoors only.