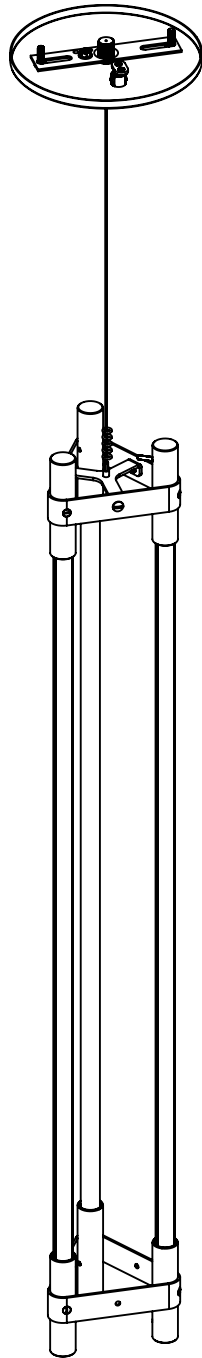
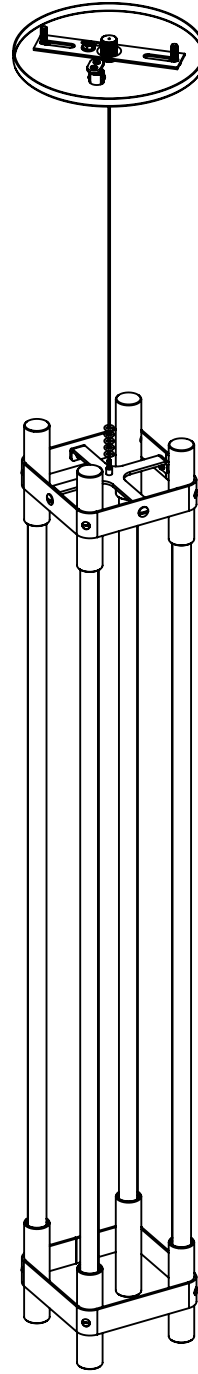


JUNIPER®

THIN Multiples Vertical Suspension Remote Installation Guide



Vertical TRIAD



Vertical TETRAD

WARNING

A LICENSED ELECTRICIAN SHOULD PERFORM INSTALLATION. DISCONNECT MAIN POWER AT THE SOURCE PRIOR TO INSTALLATION.

INSTRUCTIONS MEANT FOR A REMOTE CLASS 2 DRIVER.

POWER FEED OPTIONS

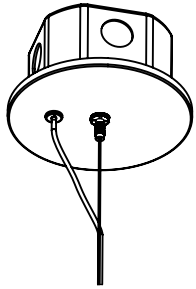


FIGURE 1

CANOPY PLATE

FOR FIXTURES WIRED TO A JUNCTION BOX.

SEE **STEP 1A** FOR DETAILED INSTALLATION AND WIRING INFORMATION.

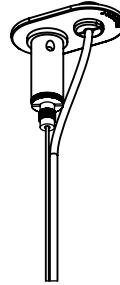


FIGURE 2

MINI MOUNTING PLATE

FOR IN-CEILING WIRING AND FIXTURES SUSPENDED FROM THE CEILING.

SEE **STEP 1B** FOR DETAILED INSTALLATION AND WIRING INFORMATION.

STEP 1A: JUNCTION BOX COVER PLATE INSTALLATION INSTRUCTIONS

1

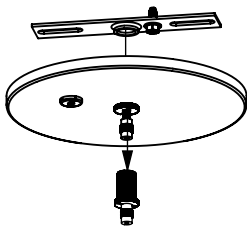


FIGURE 3

Remove gripper from the canopy cover to release the crossbar.

2

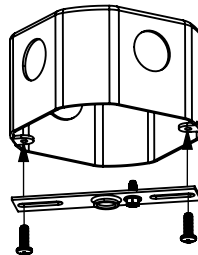


FIGURE 4

Attach the crossbar to the junction box using provided screws.

3

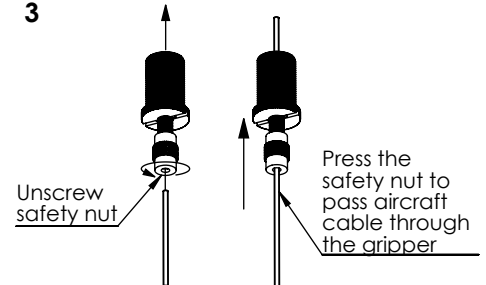


FIGURE 5

Partly loosen safety nut on cable gripper. Feed aircraft cable through the gripper. Do this for all aircraft cable ends.

4

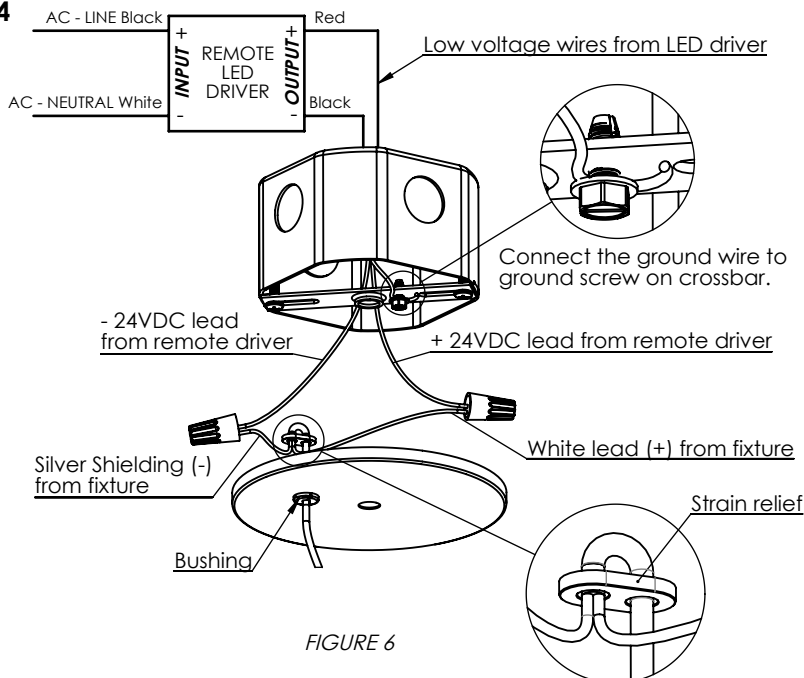


FIGURE 6

Pass power cable through bushing and strain relief as shown. Connect wires according to diagram (wire nuts provided). **Length of power cord should be adjusted for desired suspension height. Wires to and from the driver are not included.**

5

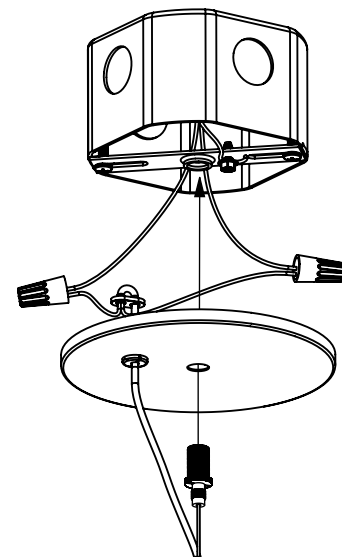


FIGURE 7

Place wires inside junction box and screw gripper into crossbar to attach canopy plate to junction box.

6

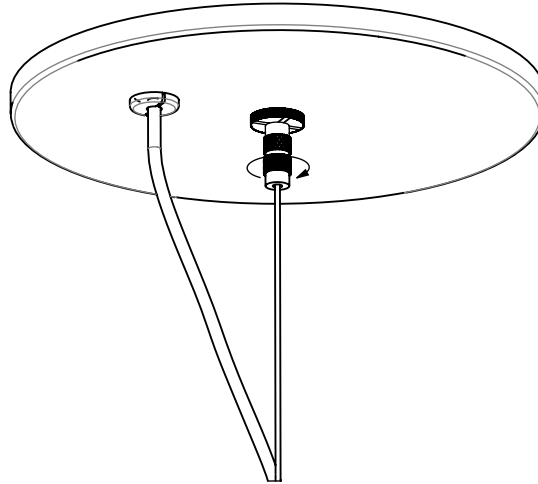


FIGURE 8

Adjust aircraft cable length as needed. Press safety nut on gripper to loosen aircraft cable. Tighten safety nut in completely when finished. **Do not cut extra aircraft cable until full fixture is assembled and desired suspension height is achieved.**

STEP 1B: MINI MOUNTING PLATE INSTALLATION INSTRUCTIONS

1

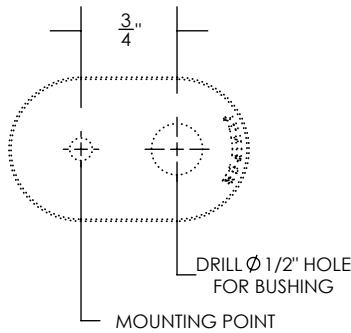


FIGURE 9

Drill hole for bushing according to diagram.

2

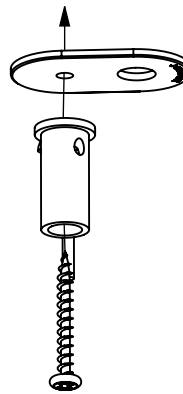


FIGURE 10

Install using provided screws according to diagram.

3



FIGURE 11

Partly unscrew safety nut on gripper and feed aircraft cables through.

4

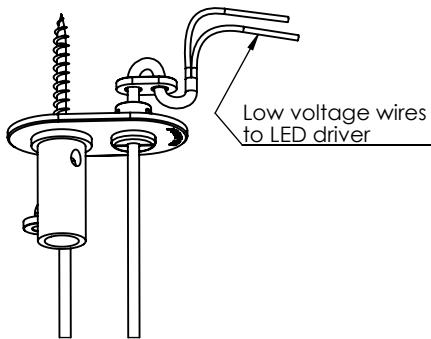


FIGURE 12

Pass power cord through bushing and connect to electrician-provided 18AWG in-wall rated cable (recommended).

5

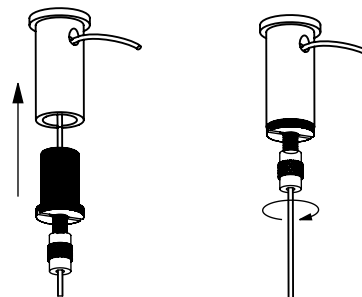


FIGURE 13

Screw grippers into ceiling posts. Adjust aircraft cable lengths as needed. Press safety nut on gripper to release aircraft cable. Tighten safety nut when finished. **Do not cut extra aircraft cable until fixture is fully assembled and desired suspension height is achieved.**

STEP 2: LIGHT TUBE INSTALLATIONS

The THIN Multiples fixture is designed with an innovative magnetic connection. Simply insert the light tubes into their sleeves for electrical contact to be made.

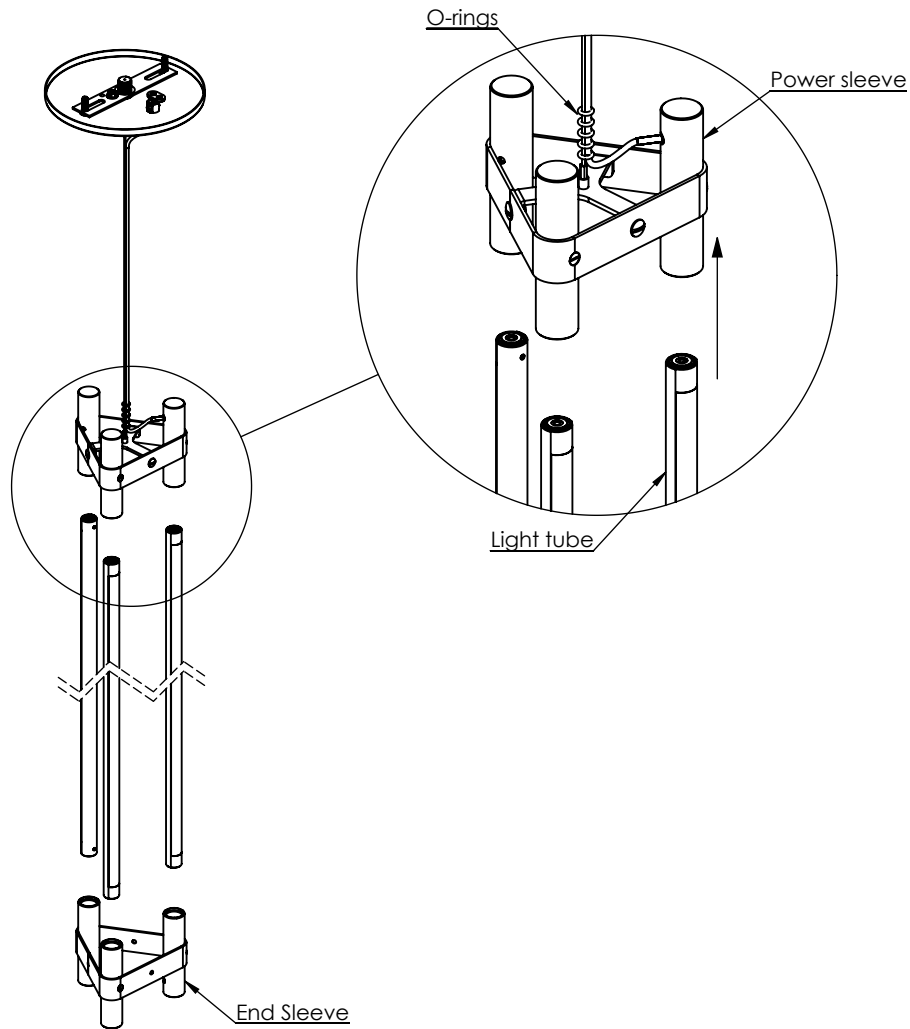


FIGURE 14

1. Reconnect main power and insert light tubes into the power sleeve. Push light tubes in carefully until they illuminate.
2. Slide the end sleeve onto the light tubes.
3. Space the O-rings apart on the power sleeve along the length of the cable to constrain the power cord to aircraft cable.

CARE INSTRUCTIONS

Brass will patina over time like other natural metals and regular care is required in order to retain the quality finish of your THIN fixture for years to come.

Gently wipe with a damp cloth to remove dirt, dust, and fingerprints.

Do not use any chemical cleaning solution.

Use indoors only.