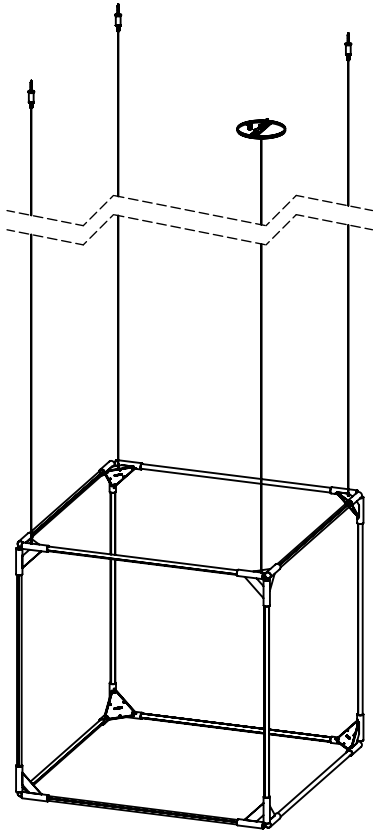


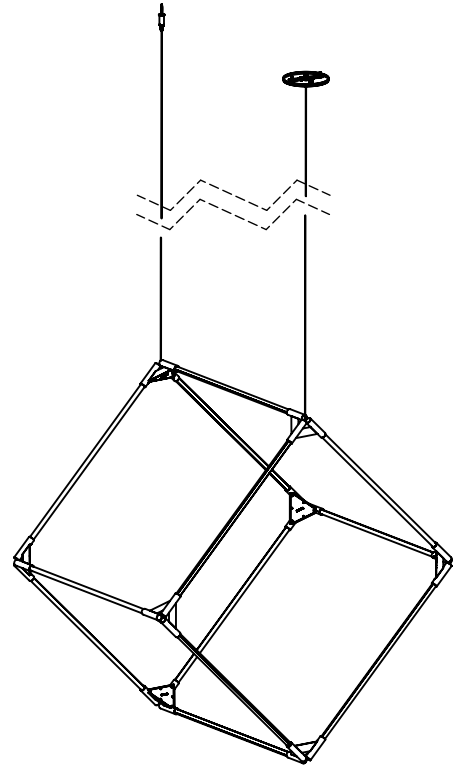
# JUNIPER<sup>®</sup>

## THIN Solids Suspension

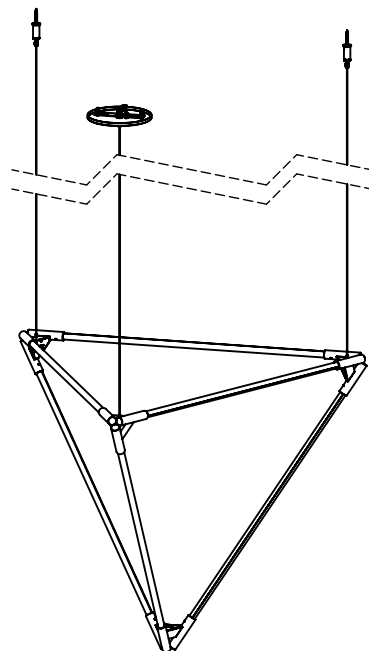
### Remote Installation Guide



24" CUBE (4 Point Suspended)



24" CUBE (2 Point Suspended)



24" TETRAHEDRON

SHOWN ARE EXAMPLES OF CONFIGURATION POSSIBILITIES. SPECIFIC FIXTURE CONFIGURATION MAY VARY.

**WARNING**

**A LICENSED ELECTRICIAN SHOULD PERFORM INSTALLATION.  
DISCONNECT MAIN POWER AT THE SOURCE PRIOR TO INSTALLATION.**

**INSTRUCTIONS MEANT FOR A REMOTE CLASS 2 DRIVER.**

**STEP 1: MARK MOUNTING POINTS**

Carefully mark the mounting points with a pencil or marker, using the spacing in Figure 1. **It is highly recommended to use a laser alignment/ measuring tool to ensure that mounting parts are properly distanced.**

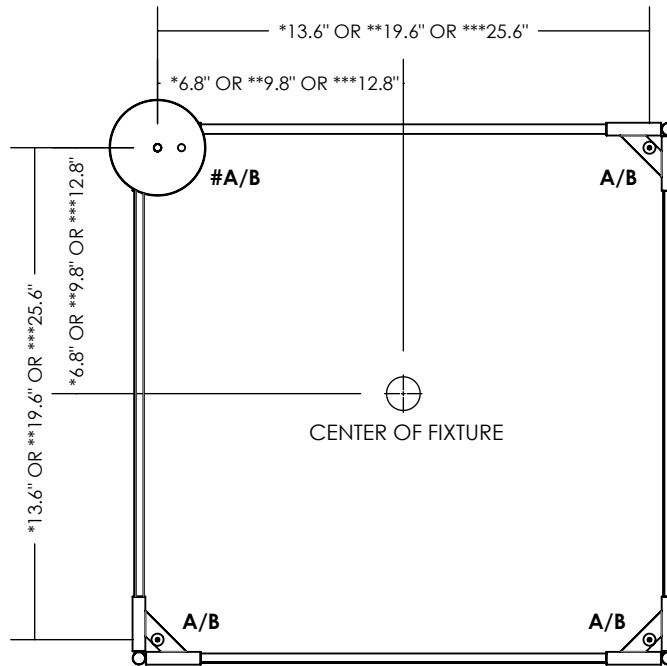


FIGURE 1

**KEY**

**A POWER SLEEVE** MOUNTED BENEATH CANOPY PLATE OR MINI MOUNTING PLATE (SEE POWER FEED OPTIONS).

**B PASSTHROUGH SLEEVE** USED TO CONNECT SEGMENTS TOGETHER. MOUNTED AT ALL NON POWERED CORNERS OF THE FIXTURE.

# Assumed as power sleeve. Mounting point measurements of all passthrough sleeves should be taken from power sleeve.

\* FOR 12" LIGHT SEGMENTS

\*\* FOR 18" LIGHT SEGMENTS

\*\*\* FOR 24" LIGHT SEGMENTS

**POWER FEED OPTIONS**

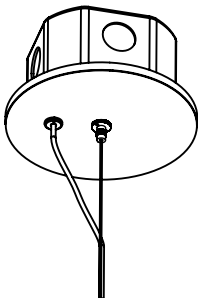


FIGURE 2

**CANOPY PLATE**

FOR FIXTURES WIRED TO A JUNCTION BOX.

SEE **STEP 3A** FOR DETAILED INSTALLATION AND WIRING INFORMATION.

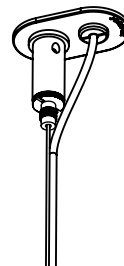


FIGURE 3

**MINI MOUNTING PLATE**

FOR IN-CEILING WIRING AND FIXTURES SUSPENDED FROM THE CEILING.

SEE **STEP 3B** FOR DETAILED INSTALLATION AND WIRING INFORMATION.

**WARNING**

**A LICENSED ELECTRICIAN SHOULD PERFORM INSTALLATION.  
DISCONNECT MAIN POWER AT THE SOURCE PRIOR TO INSTALLATION.**

**INSTRUCTIONS MEANT FOR A REMOTE CLASS 2 DRIVER.**

**STEP 2: LIGHT TUBE INSTALLATION**

*NOTE: Figure 4 shows TETAHEDRON as an example. Please install the correct number of light tubes according to your fixture's configuration. The instructions below are same for all SOLIDS.*

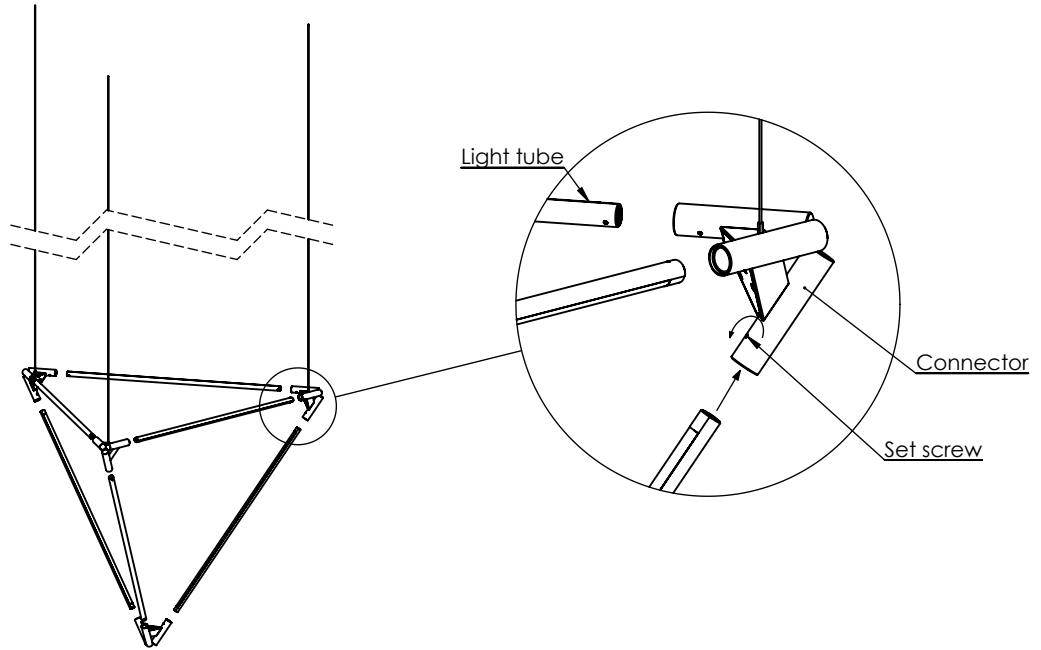


FIGURE 4

1. Loosen the set screw on the connectors as shown.
2. Insert Light tubes into the connectors as shown in FIGURE 4.
3. Tighten the set screw on the connector.

**Do not suspend the fixture without tightening the set screws.**

**STEP 3A: JUNCTION BOX COVER PLATE INSTALLATION INSTRUCTIONS**

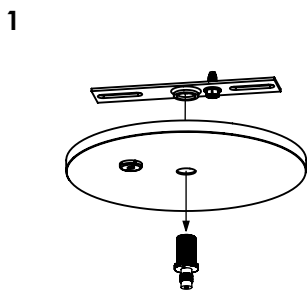


FIGURE 5

Remove gripper from the canopy cover to release the crossbar.

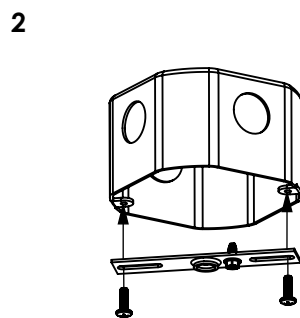


FIGURE 6

Attach the crossbar to the junction box using provided screws.

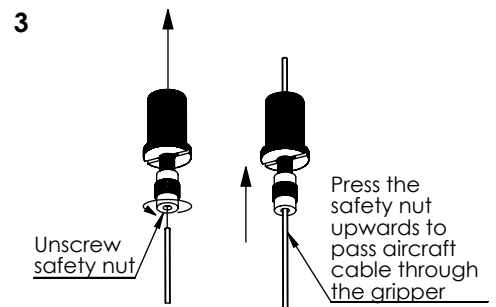


FIGURE 7

Partly loosen safety nut on cable gripper. Feed aircraft cable through the gripper.

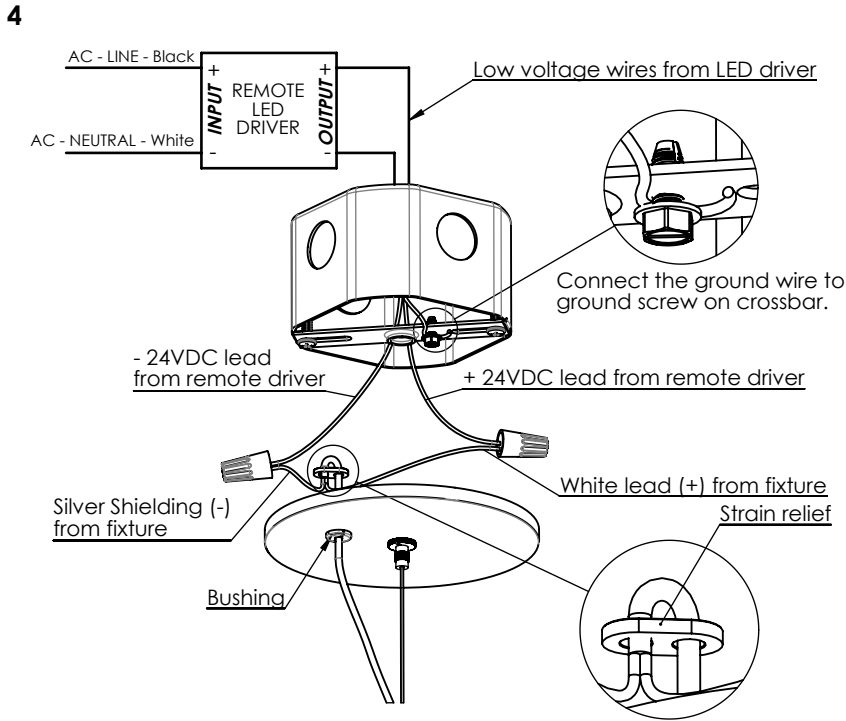


FIGURE 7

Pass power cable, through bushing and strain relief as shown. Connect wires according to diagram (wire nuts provided). **Length of power cord should be adjusted for desired suspension height. Wires to and from the driver are not provided.**

5

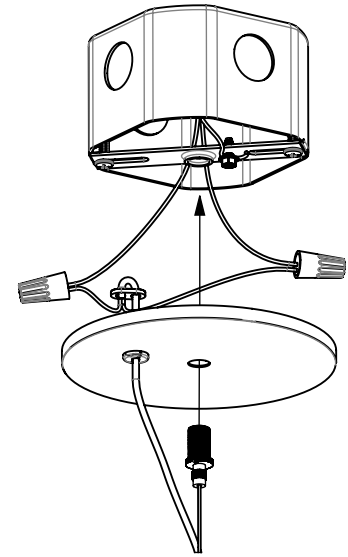


FIGURE 8

Place wires inside junction box and screw gripper into crossbar to attach canopy plate to junction box.

6

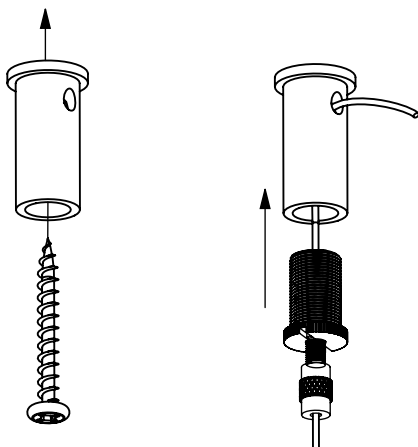


FIGURE 9

Install ceiling posts at all B mounting points using provided screws. Screw grippers into ceiling posts.

Woodscrews are provided for default installation. Alternate screws may be used at the recommendation of an electrician.

**Use laser alignment/ measuring tool to ensure accurate placement of the ceiling post.**

7

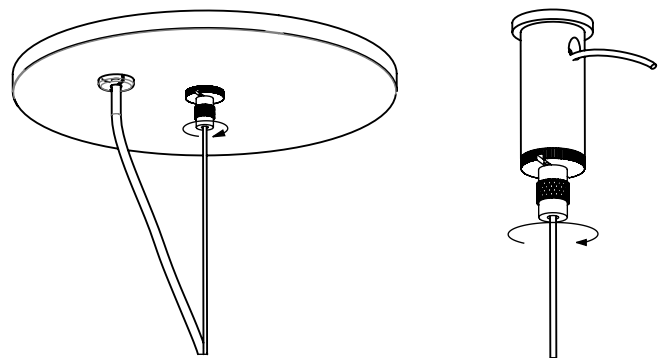


FIGURE 10

Adjust aircraft cable length as needed. Press safety nut on gripper to loosen aircraft cable. Tighten safety nut in completely when finished. **Do not cut extra aircraft cable until full fixture is assembled and desired suspension height is achieved.**

**STEP 2B: MINI MOUNTING PLATE INSTALLATION INSTRUCTIONS**

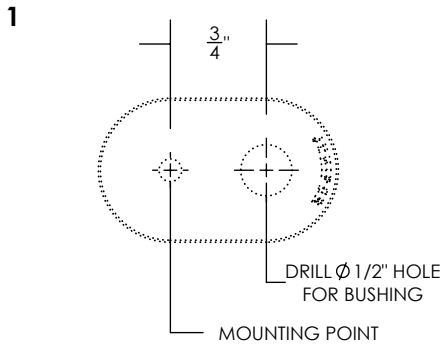


FIGURE 11

Drill hole for bushing according to diagram.

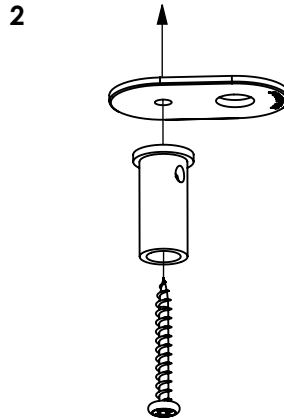


FIGURE 12

Install using provided screws according to diagram.

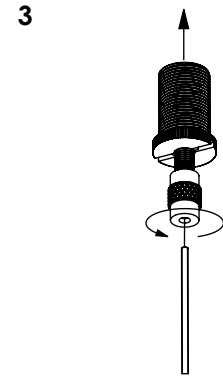


FIGURE 13

Partly unscrew safety nut on gripper and feed aircraft cables through.

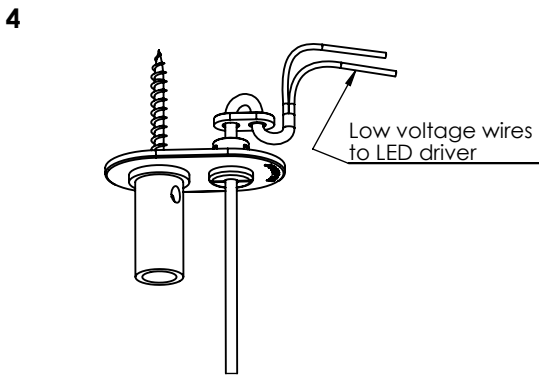


FIGURE 14

Pass power cord through bushing and connect to electrician-provided 18AWG in-wall rated cable (recommended).

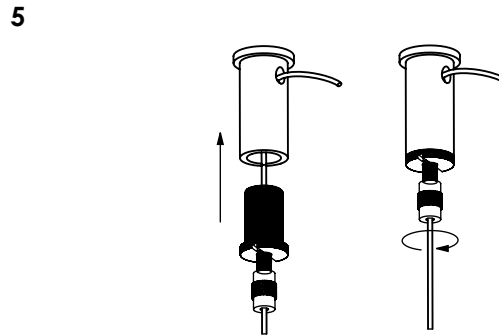
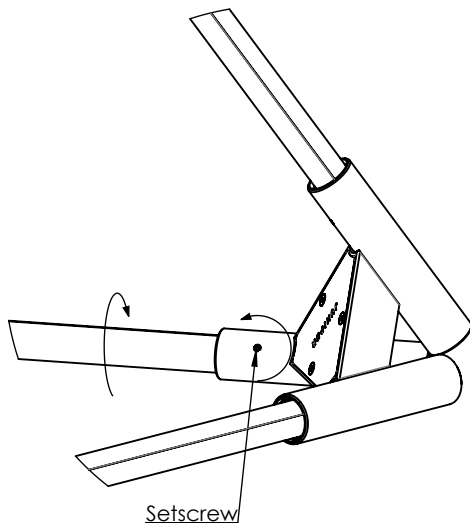


FIGURE 15

Screw grippers into ceiling posts. Adjust aircraft cable lengths as needed. Press safety nut on gripper to release aircraft cable. Tighten safety nut when finished. **Do not cut extra aircraft cable until fixture is fully assembled and desired suspension height is achieved.**

**STEP 3: ADJUSTING THE LIGHT TUBES**

1. Loosen the set screw on the connectors as shown  
**Do not loosen set screws on all connectors simultaneously. Adjust only one light tube at a time.**
2. Rotate the light tube to change the direction of the light.
3. Tighten the set screws on the connector.



**CARE INSTRUCTIONS**

Brass will patina over time like other natural metals and regular care is required in order to retain the quality finish of your THIN fixture for years to come.

Gently wipe with a damp cloth to remove dirt, dust, and fingerprints.

Do not use any chemical cleaning solution.

Use indoors only.