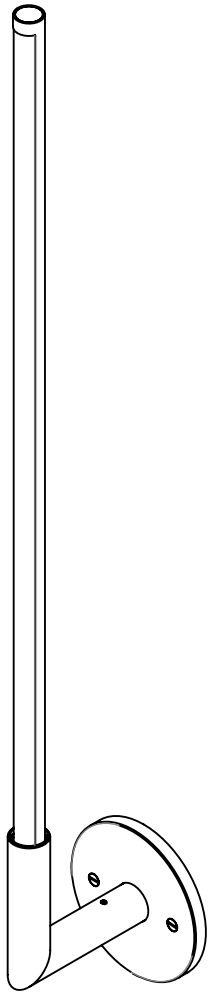
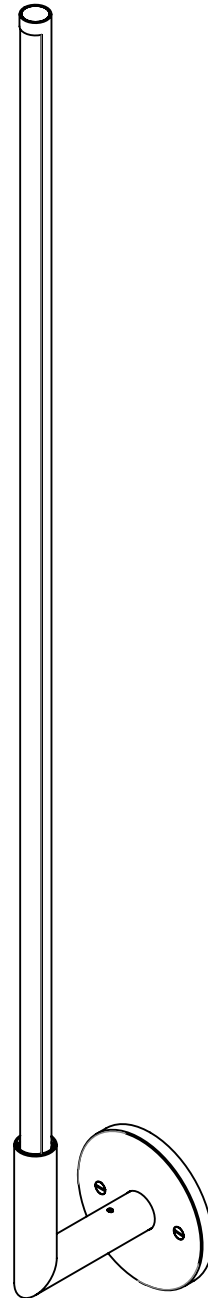


# JUNIPER®

## THIN SINGLE FLOAT - Wall-Mounted Remote Installation Guide



18 IN



24 IN

**WARNING**

**A LICENSED ELECTRICIAN SHOULD PERFORM INSTALLATION. DISCONNECT MAIN POWER AT THE SOURCE PRIOR TO INSTALLATION.**

**INSTRUCTIONS MEANT FOR A REMOTE CLASS 2 DRIVER.**

**STEP 1: MARK MOUNTING POINTS AND MAKE CUT-OUT**

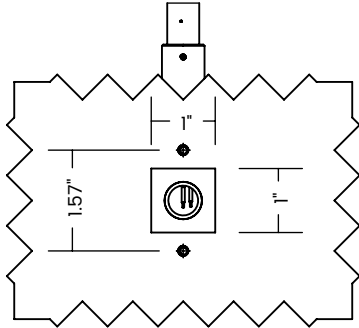


FIGURE 1

Carefully mark the mounting points with a pencil or marker, using the spacing in figure 1. Make a cut-out no bigger than 1" x 1", between the two marking points to receive low voltage wires from the remote LED driver.

**STEP 2: INSTALLING THE FIXTURE**

**1**

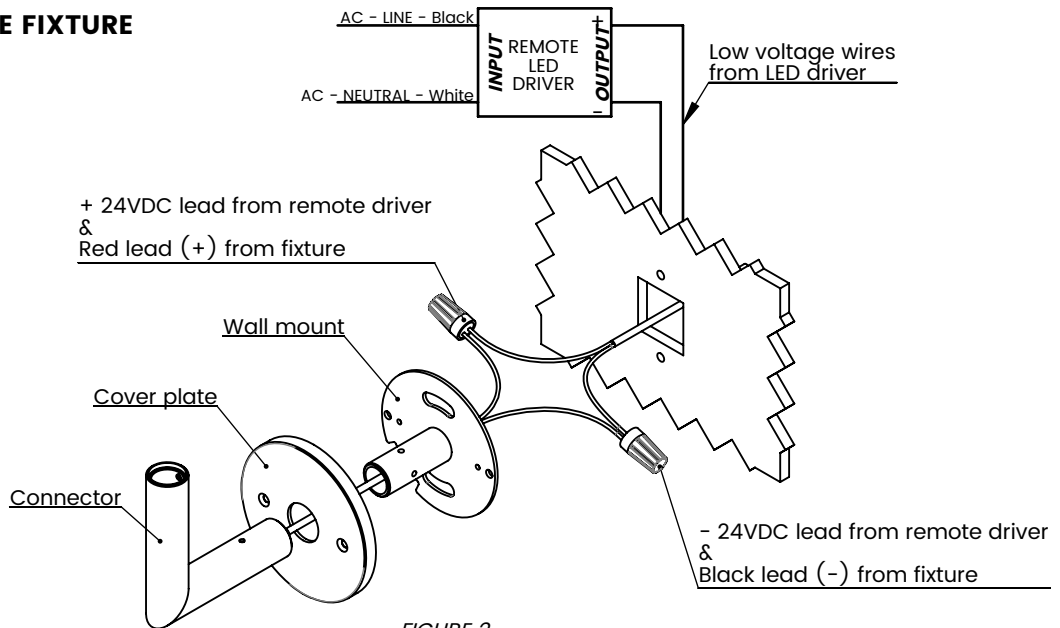


FIGURE 2

- A. Pass the wires coming out of the connector through the cover plate and wall mount as shown.
  - B. Connect the wires coming out of the connector to LED driver's output wires using provided blue/grey wire nuts as shown.
- Wires to and from the LED driver are not provided.**

**2**

- A. Place the connected wires inside the cut-out in the wall.
- B. Install wall mount on the wall using provided #8 wood screws.
- C. Install cover plate on wall mount using provided #4-40 flat head screws. If required, loosen the #8 wood screws on the wall mount to adjust its orientation.

**Woodscrews are provided for default installation. Alternate screws may be used at the recommendation of an electrician. Blocking may be required.**

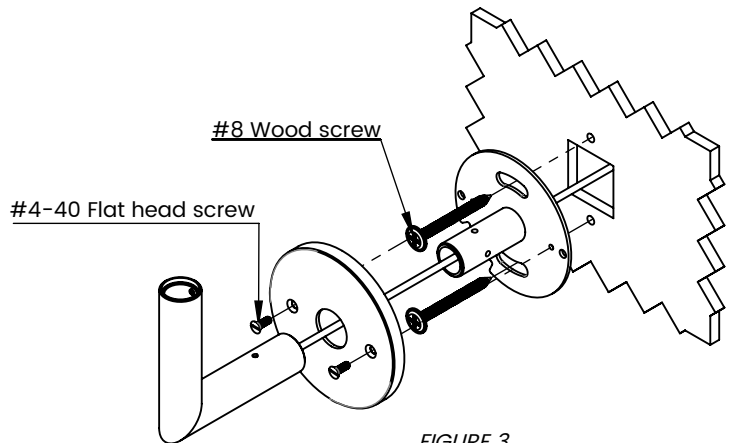


FIGURE 3

3

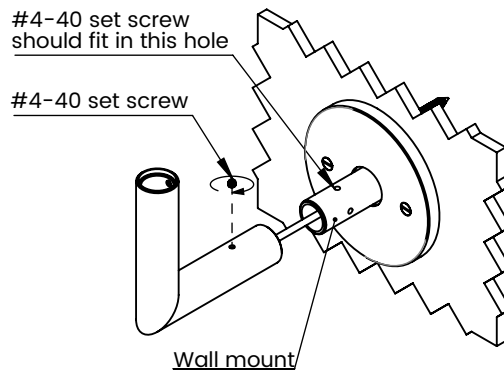


FIGURE 4

Install connector on the wall mount using provided #4-40 set screw as shown. Make sure that the set screw fits inside the hole in the coupler. **If the connector is not aligned correctly, remove the connector and cover plate. Loosen the #8 wood screws to adjust the orientation of wall mount.**

**STEP 3: INSTALLING LIGHT TUBE**

The fixture is designed with an innovative magnetic connection. Simply insert the light tubes into the connector for electrical contact to be made.

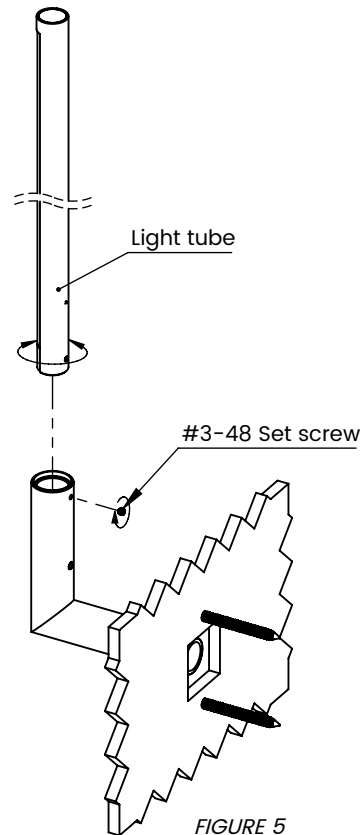


FIGURE 5

- A. Insert light tube into the connector.
- B. Rotate the light tube to adjust orientation.
- C. Use provided #3-48 set screw to lock light segment in place.

**CARE INSTRUCTIONS**

Brass will patina over time like other natural metals and regular care is required in order to retain the quality finish of your fixture for years to come.

Gently wipe with a damp cloth to remove dirt, dust, and fingerprints.

Do not use any chemical cleaning solution.

Use indoors only.