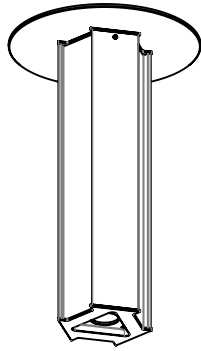
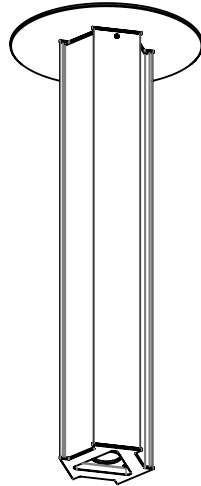


JUNIPER®

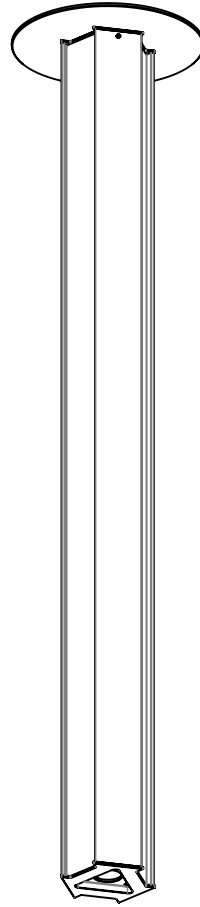
FLUTES DORIAN CEILING FLUSH MOUNT Remote Installation Guide



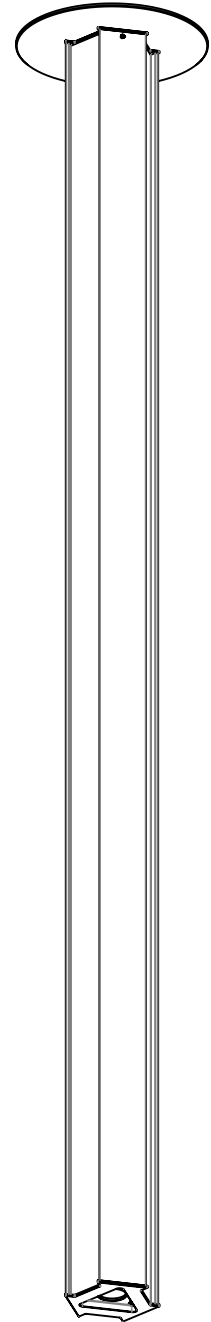
8 IN



12 IN



24 IN



36 IN

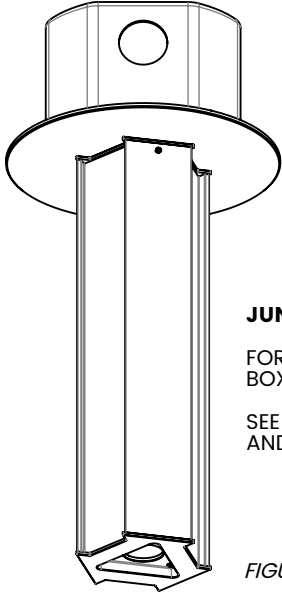
SHOWN ARE EXAMPLES OF CONFIGURATION POSSIBILITIES. SPECIFIC FIXTURE CONFIGURATION MAY VARY.

WARNING

A LICENSED ELECTRICIAN SHOULD PERFORM INSTALLATION IN ACCORDANCE WITH THE NATIONAL ELECTRIC CODE (NEC) AND RELEVANT LOCAL CODES. DISCONNECT MAIN POWER AT THE SOURCE PRIOR TO INSTALLATION.

INSTRUCTIONS MEANT FOR A REMOTE CLASS 2 DRIVER.

POWER FEED OPTIONS



JUNCTION BOX MOUNTED

FOR FIXTURES WIRED TO A JUNCTION BOX.

SEE **STEP 1A** FOR DETAILED INSTALLATION AND WIRING INFORMATION.

FIGURE 1



CEILING MOUNTED

FOR FIXTURE MOUNTED DIRECTLY TO THE CEILING.

SEE **STEP 1B** FOR DETAILED INSTALLATION AND WIRING INFORMATION.

FIGURE 2

STEP 1A: INSTALLATION ON A JUNCTION BOX

1

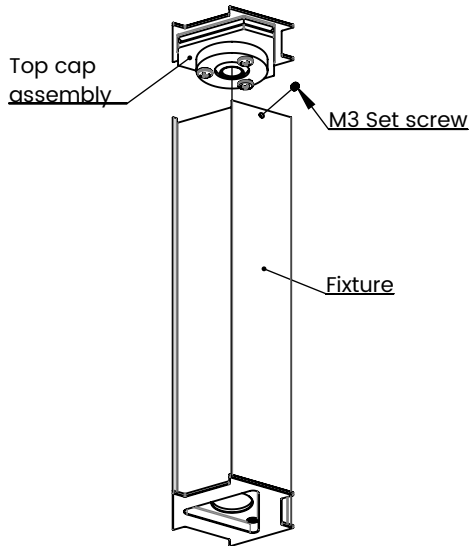


FIGURE 3

Remove M3 set screw from fixture to release top cap assembly.

2

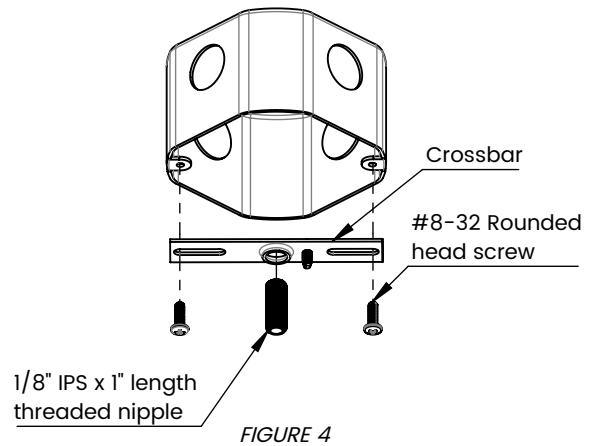


FIGURE 4

Attach the crossbar to the junction box using provided #8-32 round head screws. Install the 1/8" IPS nipple in the crossbar.

3

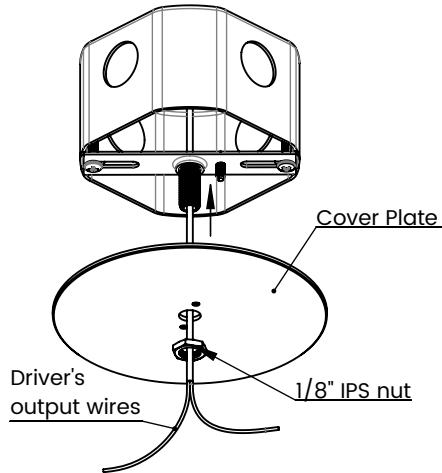


FIGURE 5

Pass the low voltage wires from junction box through 1/8" IPS nipple as shown. Install the cover plate using provided 1/8" IPS nut.

5

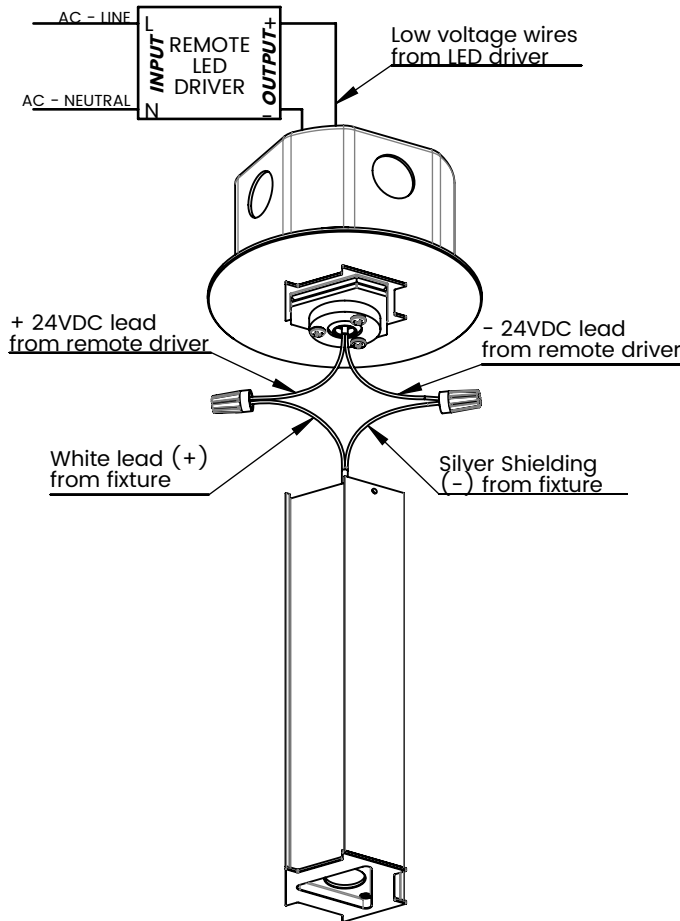


FIGURE 7

Connect wires according to diagram (wire nuts provided). **Wires to and from the driver are not included.**

4

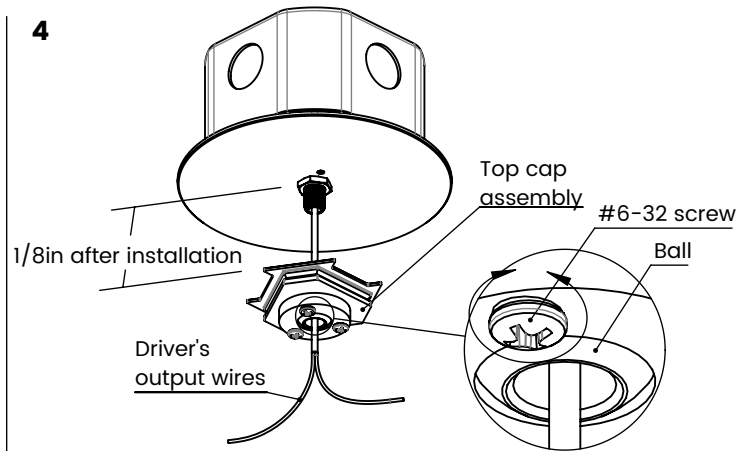


FIGURE 6

- A. Pass the low voltage wires through top cap assembly as shown.
- B. Screw the top cap onto the 1/8" IPS nipple. Leave about 1/8in gap between the nut and top cap assembly so it can pivot easily. **See step 2 for more information on fixture's tilt adjustment.**
- C. You may need to adjust the #6-32 screws on the top cap assembly to ensure it pivots easily but the ball inside is not too loose.

6

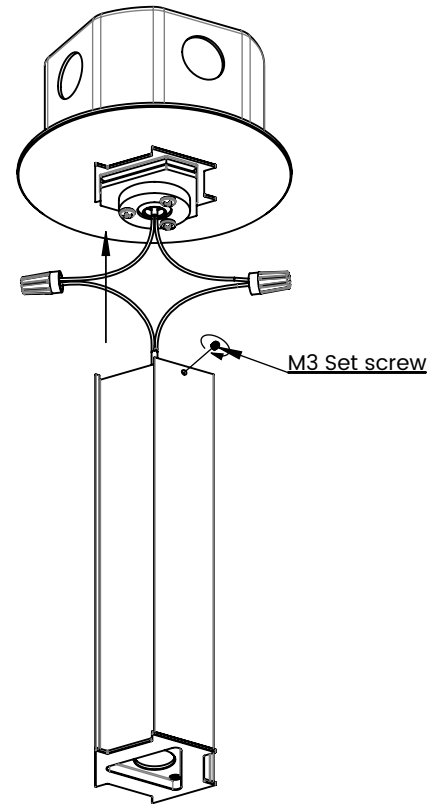


FIGURE 8

Push wires inside the fixture and use M3 Set screw (removed in first instruction) to connect fixture to cover plate.

STEP 1B: INSTALLATION DIRECTLY ON CEILING

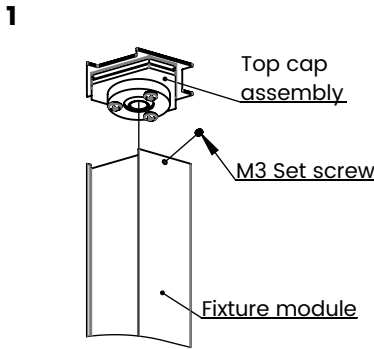


FIGURE 9

Remove M3 set screw from fixture to release top cap assembly.

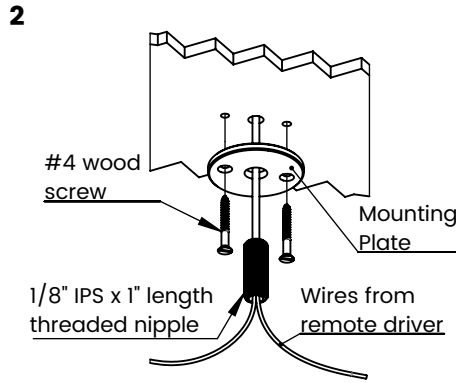


FIGURE 10

- A. Pass low voltage wires through the mounting plate and 1/8" IPS nipple as shown.
 - B. Install mounting plate on the ceiling using provided #4 wood screws.
 - C. Install 1/8" IPS nipple in the mounting plate.
- #4 wood screws are provided for default installation. Alternate screws may be used at the recommendation of an electrician.**

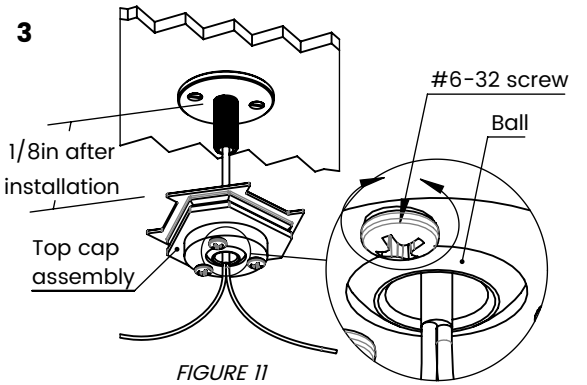


FIGURE 11

- A. Pass the low voltage wires through top cap assembly as shown.
- B. Screw the top cap onto the 1/8" IPS nipple. Leave about 1/8in gap between the nut and top cap assembly so it can pivot easily. **See step 2 for more information on fixture's tilt adjustment.** You may need to adjust the #6-32 screws on the top cap assembly to ensure it pivots easily but the ball inside is not too loose.
- C.

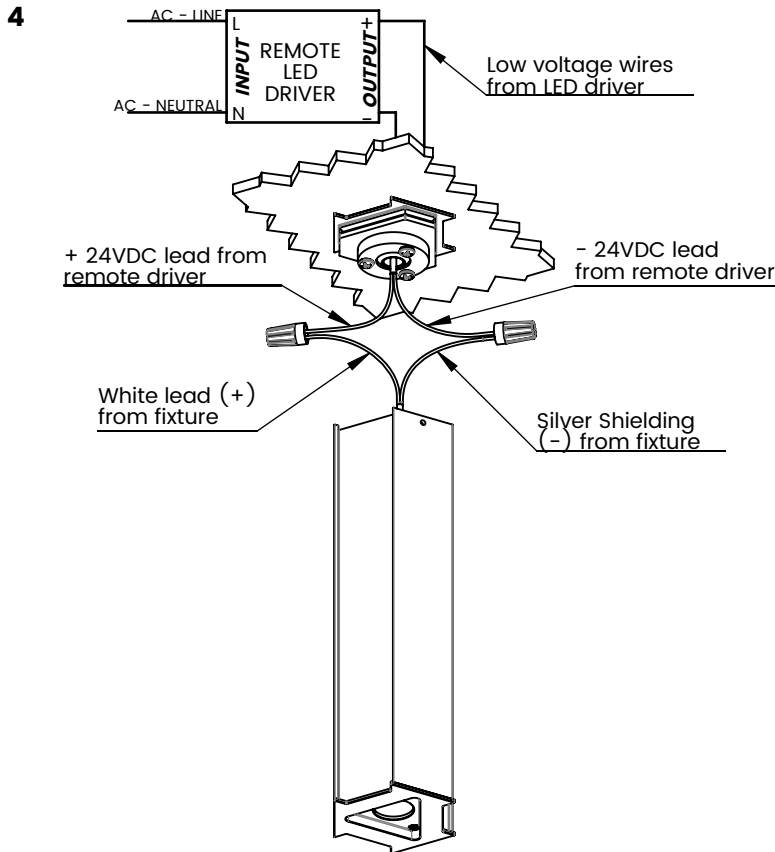


FIGURE 12

Connect wires according to diagram (wire nuts provided). **Wires to and from the driver are not included.**

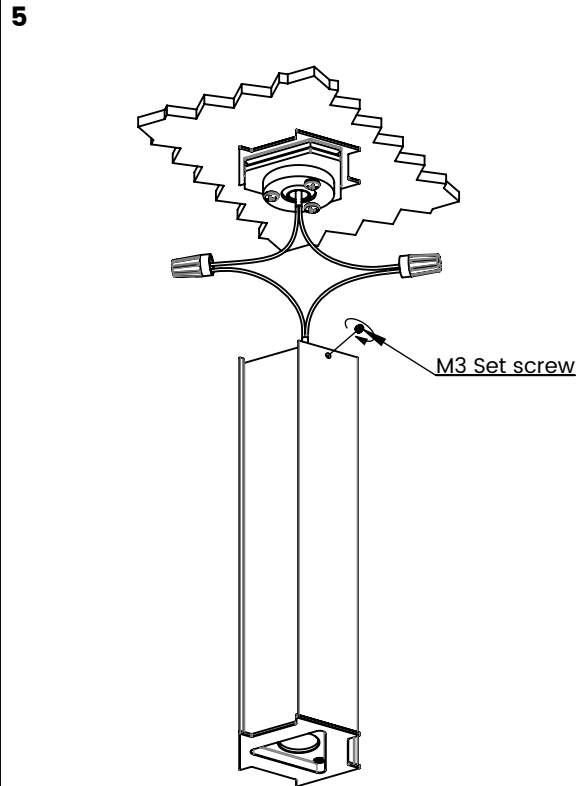
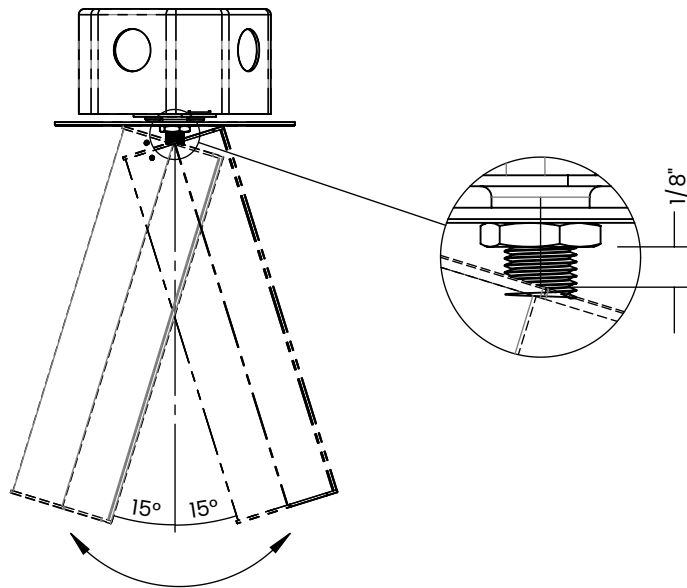


FIGURE 13

Push wires inside the fixture and use M3 set screw (removed in first instruction) to connect fixture to cover plate.

STEP 2: ADJUSTING THE FIXTURE.*FIGURE 14*

Adjust the tilt of fixture as shown above to ensure it hangs straight.

CARE INSTRUCTIONS

Gently wipe with a damp cloth to remove dirt, dust, and fingerprints.

Do not use any chemical cleaning solution.

Use indoors only.