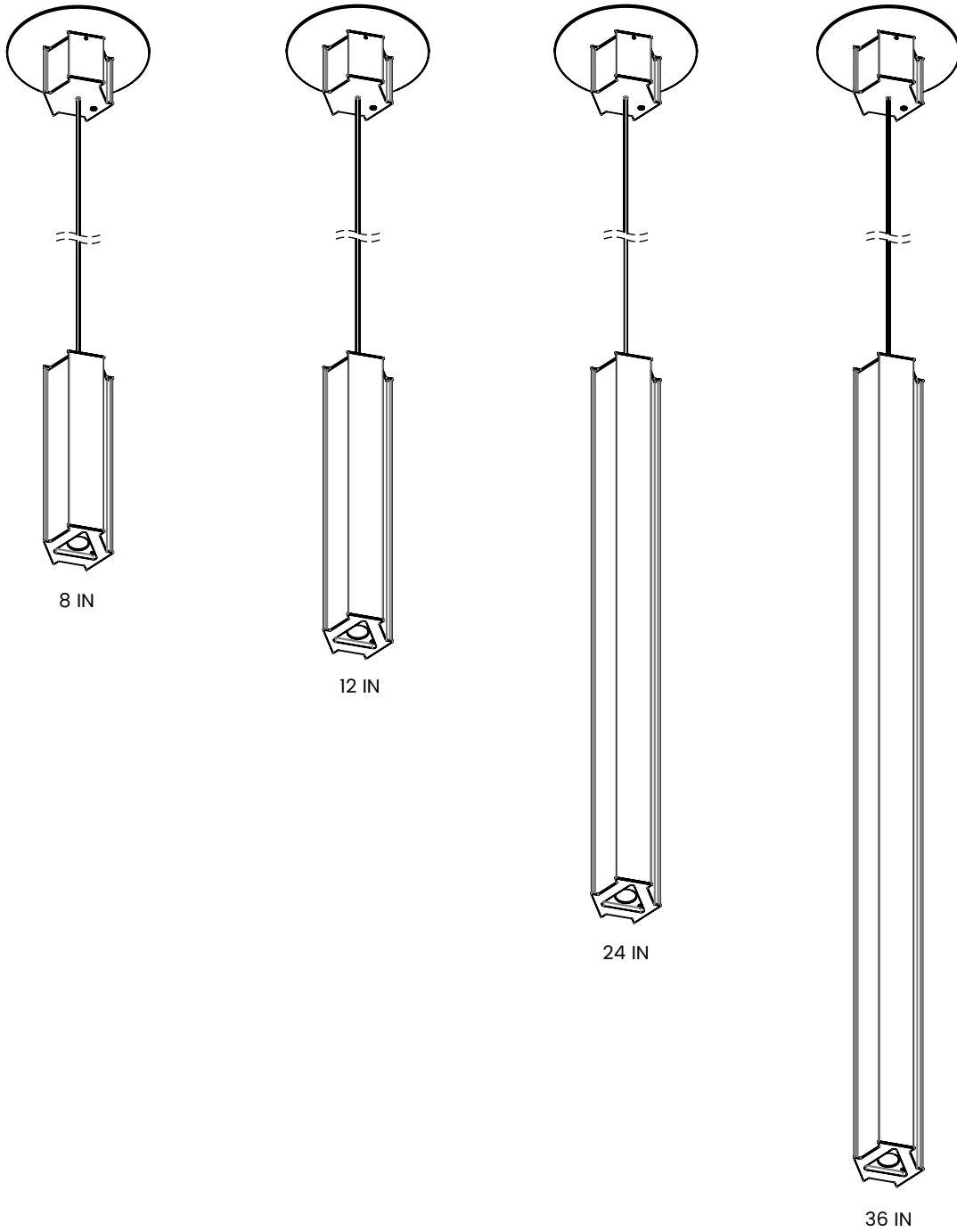


JUNIPER®

FLUTES DORIAN Pendant Remote Installation Guide



SHOWN ARE EXAMPLES OF CONFIGURATION POSSIBILITIES. SPECIFIC FIXTURE CONFIGURATION MAY VARY.

WARNING

A LICENSED ELECTRICIAN SHOULD PERFORM INSTALLATION IN ACCORDANCE WITH THE NATIONAL ELECTRIC CODE (NEC) AND RELEVANT LOCAL CODES. DISCONNECT MAIN POWER AT THE SOURCE PRIOR TO INSTALLATION.

INSTRUCTIONS MEANT FOR A REMOTE CLASS 2 DRIVER.

POWER FEED OPTIONS

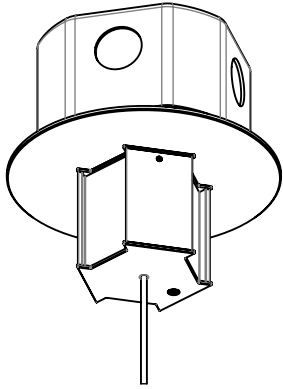


FIGURE 1

JUNCTION BOX MOUNTED

FOR FIXTURES WIRED TO A JUNCTION BOX.

SEE **STEP 1A** FOR DETAILED INSTALLATION AND WIRING INFORMATION.

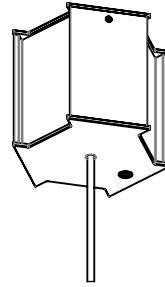


FIGURE 2

CEILING MOUNTED

FOR FIXTURES MOUNTED DIRECTLY TO THE CEILING.

SEE **STEP 1B** FOR DETAILED INSTALLATION AND WIRING INFORMATION.

STEP 1A: INSTALLATION ON A JUNCTION BOX

1

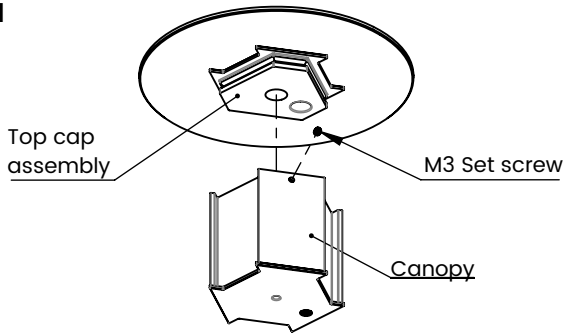


FIGURE 3

Remove M3 set screw from canopy to release top cap assembly.

3

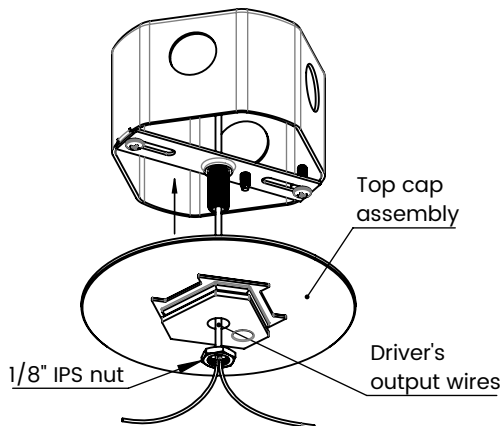


FIGURE 5

Pass the low voltage wires from junction box through 1/8" IPS nipple and top cap assembly as shown. Install the top cap assembly to the crossbar using provided 1/8" IPS nut.

2

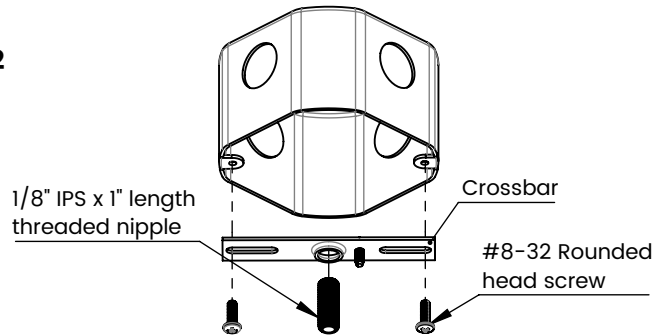


FIGURE 4

Attach the crossbar to the junction box using provided #8-32 round head screws. Install the 1/8" IPS x 1" nipple in the crossbar.

4

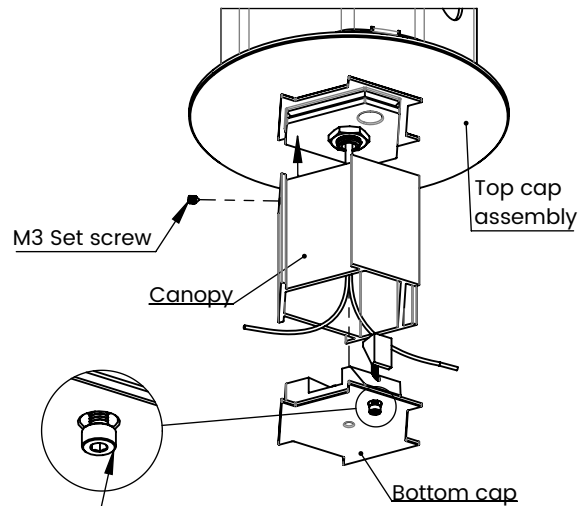
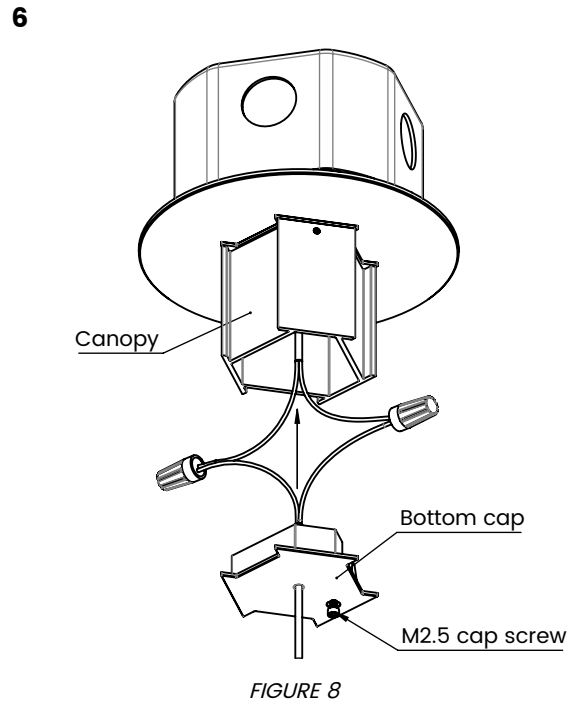
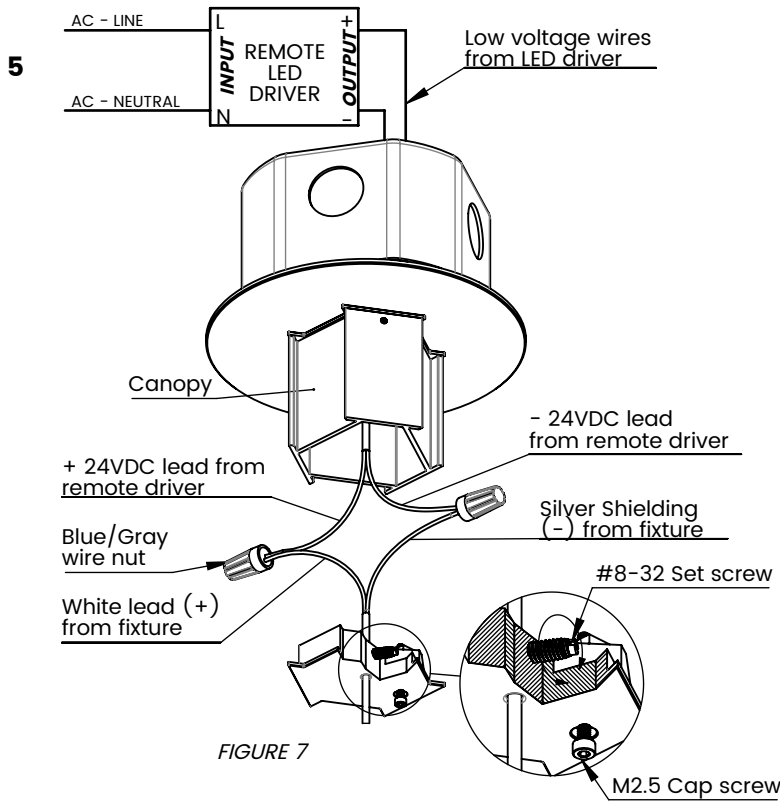


FIGURE 6

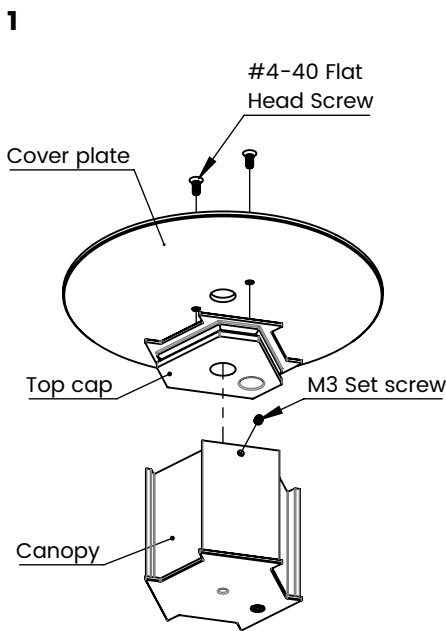
Loosen M2.5 cap screw in bottom cap to release the bottom cap. Pass the low voltage wires through the canopy as shown. Install the canopy on top cap assembly using M3 set screw, removed in first instruction.



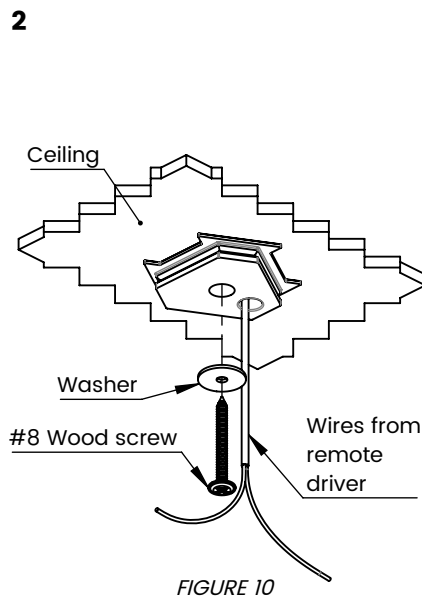
- A. Loosen the #8-32 set screw on the bottom cap.
- B. Pass the power cable from fixture through the bottom cap.
- C. Adjust the length of power cord to adjust fixture's drop height and tighten the #8-32 set screw when finished.
- D. Connect wires according to diagram (wire nuts provided). **Wires to and from the driver are not included.**

Push wires inside the canopy and attach bottom cap to the canopy by tightening the M2.5 cap screw. **Make sure bottom cap and canopy are aligned properly before securing cap screw.**

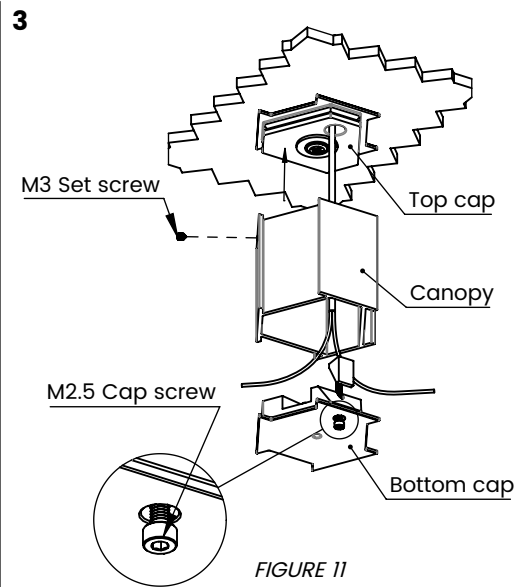
STEP 1B: INSTALLATION DIRECTLY ON CEILING



Remove M3 set screw from canopy to release the top cap. Remove the #4-40 flat-head screws to remove the cover plate.



Pass low voltage wires from the remote driver through the hole in the top cap as shown. Using provided #8 wood screw and washer, connect the top cap to ceiling. **#8 wood screws are provided for default installation. Alternate screws may be used at the recommendation of an electrician.**



Loosen M2.5 cap screw in bottom cap to release the bottom cap. Pass the low voltage wire from the ceiling through the canopy as shown. Install the canopy on top cap using M3 set screw, removed in first instruction.

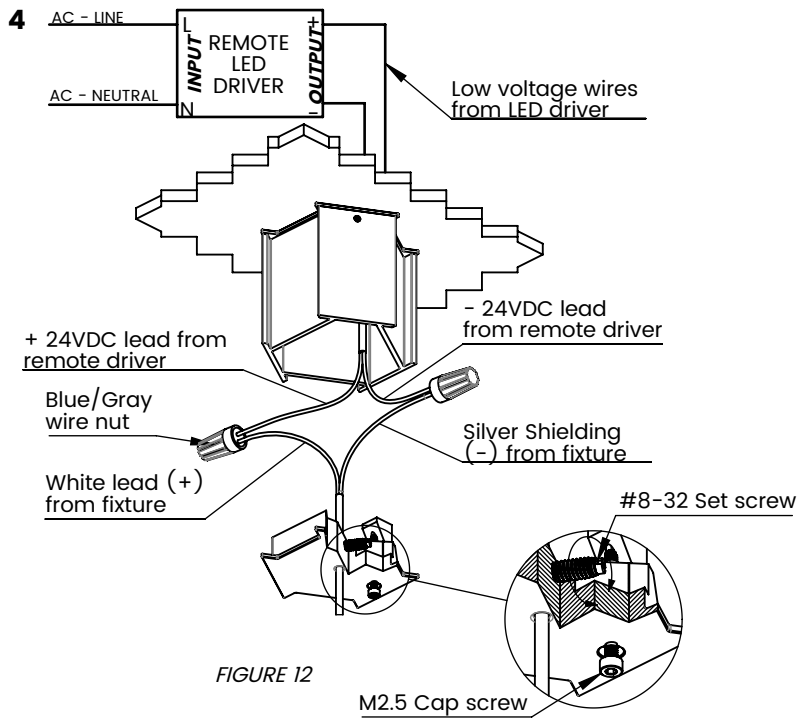


FIGURE 12

- A. Loosen the #8-32 set screw on the bottom cap.
- B. Pass the power cable from fixture through the bottom cap.
- C. Adjust the length of power cord to adjust fixture's drop height and tighten the #8-32 set screw when finished.
- D. Connect wires according to diagram (wire nuts provided). **Wires to and from the driver are not included.**

5

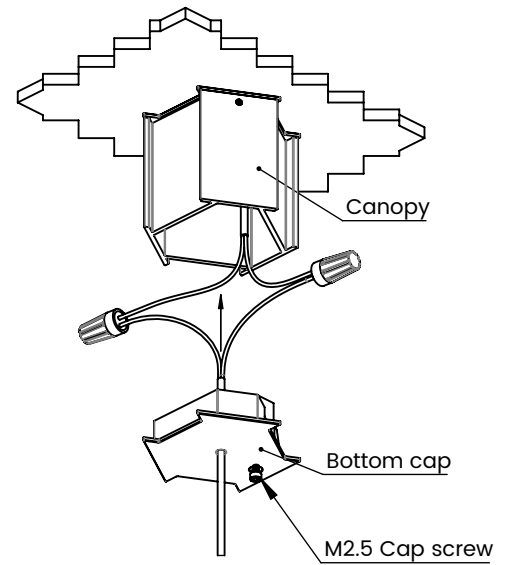


FIGURE 13

Push wires inside the canopy and attach bottom cap to the canopy by tightening the M2.5 cap screw. **Make sure bottom cap and canopy are aligned properly before securing cap screw.**

CARE INSTRUCTIONS

Gently wipe with a damp cloth to remove dirt, dust, and fingerprints.

Do not use any chemical cleaning solution.

Use indoors only.