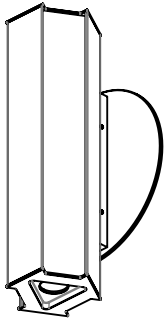


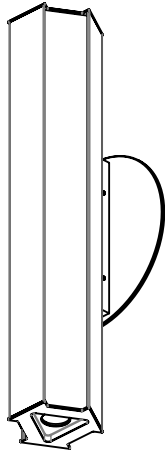
# JUNIPER®

## FLUTES DORIAN SCONCE

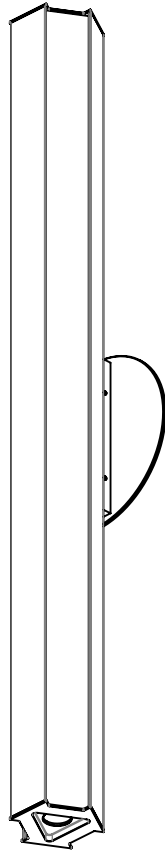
### Local Installation Guide



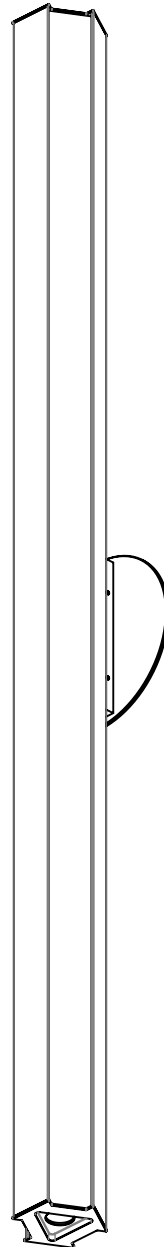
8 IN



12 IN



24 IN



36 IN

SHOWN ARE EXAMPLES OF CONFIGURATION POSSIBILITIES. SPECIFIC FIXTURE CONFIGURATION MAY VARY.

**WARNING**

**A LICENSED ELECTRICIAN SHOULD PERFORM INSTALLATION IN ACCORDANCE WITH THE NATIONAL ELECTRIC CODE (NEC) AND RELEVANT LOCAL CODES. DISCONNECT MAIN POWER AT THE SOURCE PRIOR TO INSTALLATION.**

**INSTRUCTIONS MEANT FOR A LOCAL CLASS 2 DRIVER.**

**1**

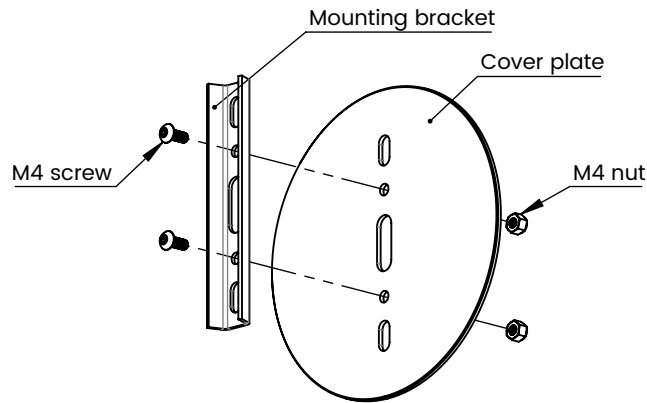


FIGURE 1

Install the mounting bracket on the cover plate as shown using provided M4 screws and nuts.

**2**

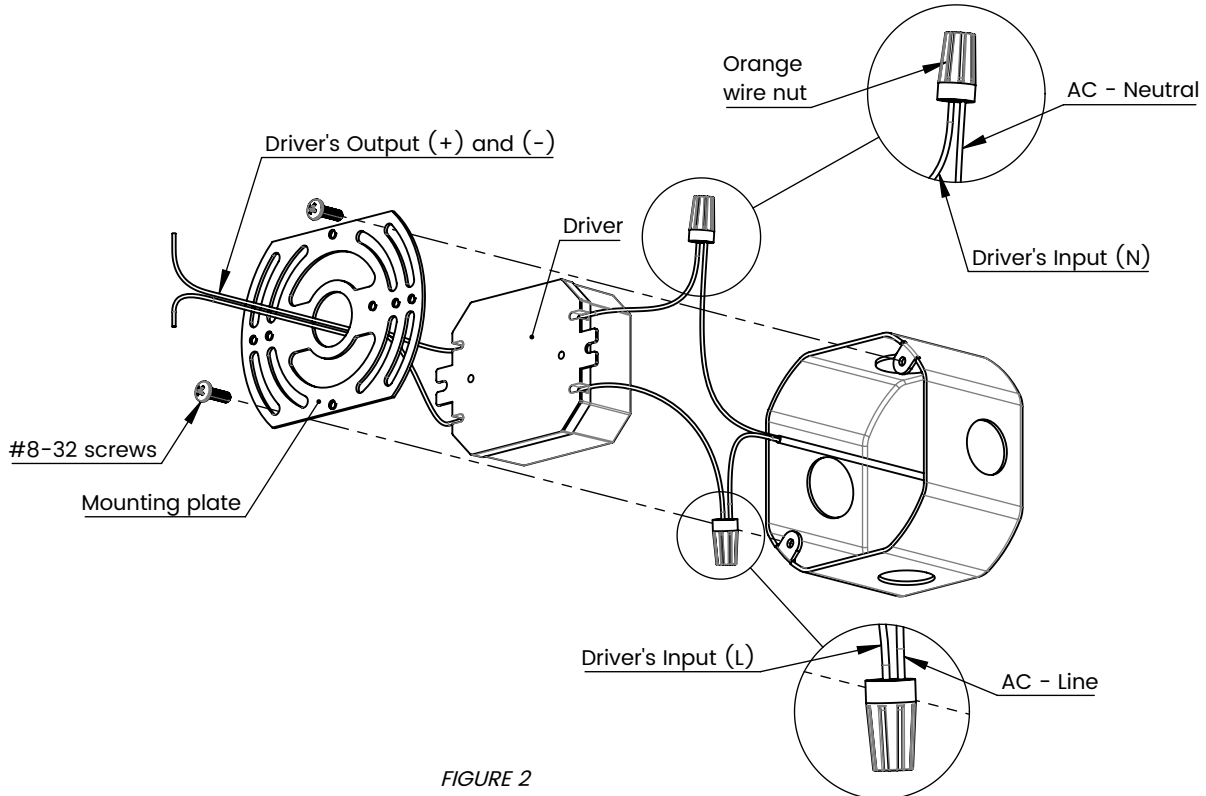
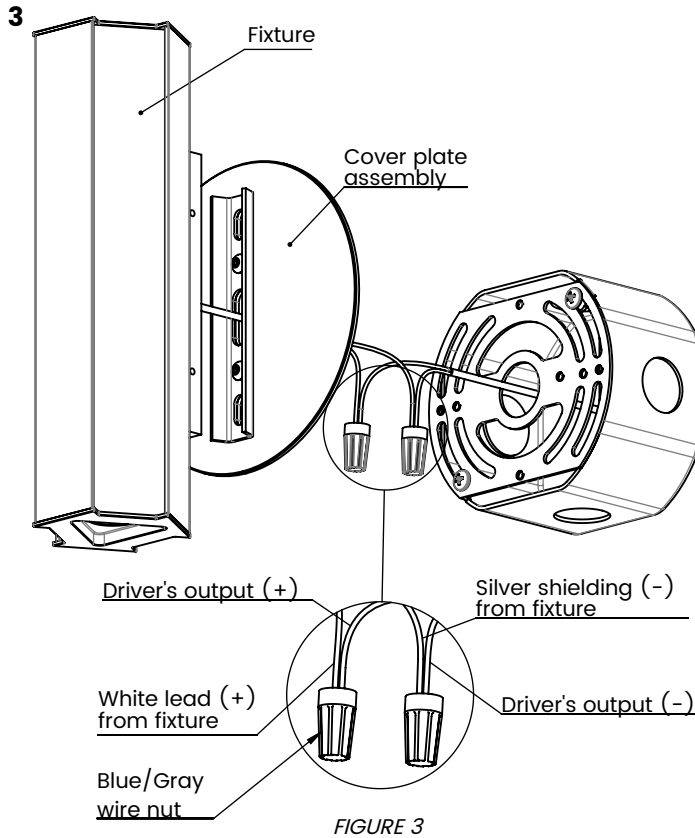
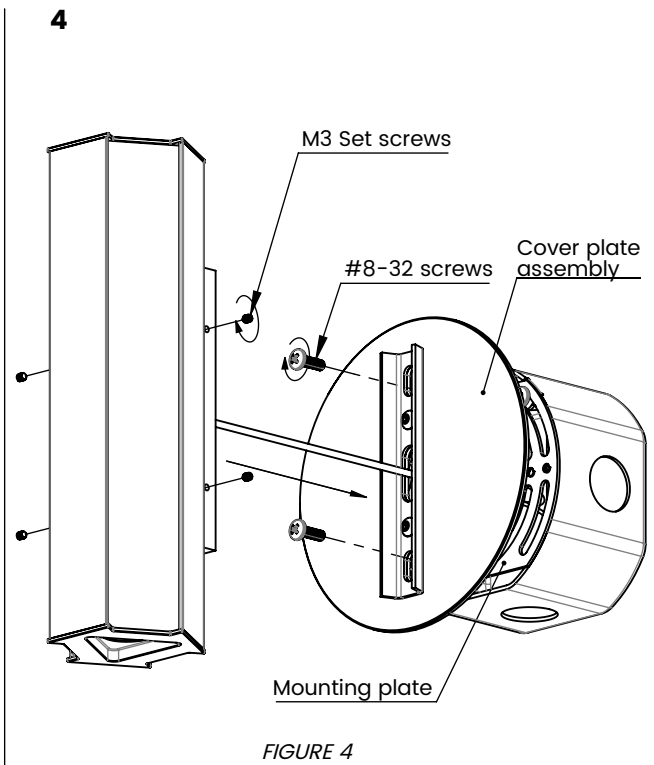


FIGURE 2

- A. Make wiring connections between driver's input wires and AC wires coming from the junction box as shown (wire nuts provided).
  - B. Place driver and connected wires inside the junction box.
  - C. Pass the driver's output wires through the mounting plate and attach the mounting plate to the junction box using provided #8-32 screws.
- It is important to install the mounting plate in the orientation shown for correct installation of the fixture.**



- A. Pass the wires coming from the fixture through the slot in the cover plate assembly as shown.
  - B. Connect wires according to diagram (wire nuts provided).
  - C. Place the connected wires inside the junction box.
- Wires to and from the driver are not included.**



- A. Connect the cover plate assembly to the mounting plate using provided #8-32 screws.
- B. Connect the fixture to cover plate assembly using provided M3 set screws.

**CARE INSTRUCTIONS**

Gently wipe with a damp cloth to remove dirt, dust, and fingerprints.  
 Do not use any chemical cleaning solution.  
 Use indoors only.