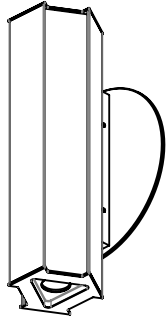


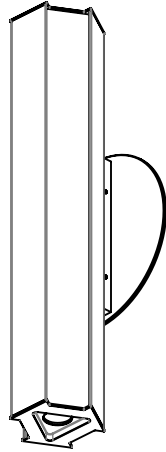
JUNIPER®

FLUTES DORIAN SCONCE

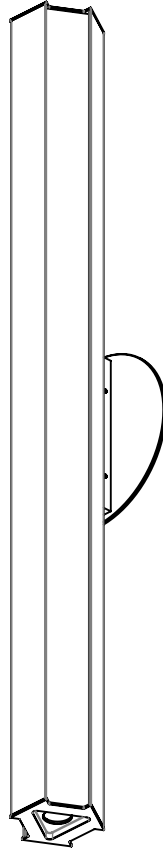
Remote Installation Guide



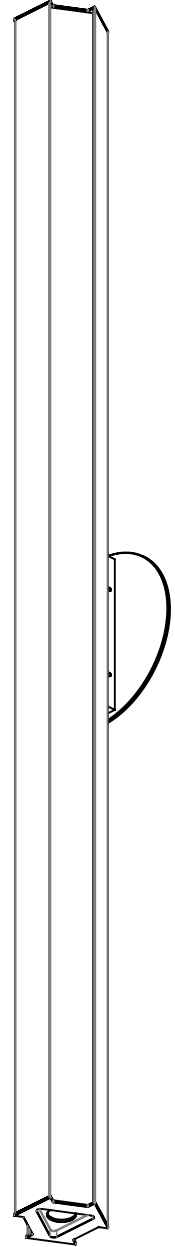
8 IN



12 IN



24 IN



36 IN

WARNING

A LICENSED ELECTRICIAN SHOULD PERFORM INSTALLATION IN ACCORDANCE WITH THE NATIONAL ELECTRIC CODE (NEC) AND RELEVANT LOCAL CODES. DISCONNECT MAIN POWER AT THE SOURCE PRIOR TO INSTALLATION.

INSTRUCTIONS MEANT FOR A REMOTE CLASS 2 DRIVER.

POWER FEED OPTIONS

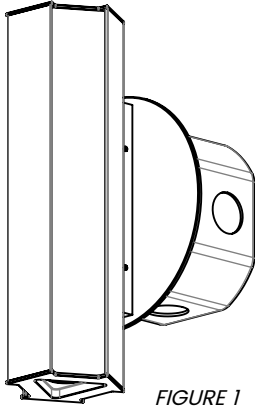


FIGURE 1

JUNCTION BOX MOUNTED

FOR FIXTURES WIRED TO A JUNCTION BOX.

SEE **STEP 1A** FOR DETAILED INSTALLATION AND WIRING INFORMATION.

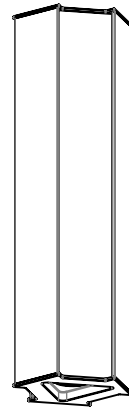


FIGURE 2

WALL MOUNTED

FOR FIXTURE MOUNTED DIRECTLY TO THE WALL.

SEE **STEP 1B** FOR DETAILED INSTALLATION AND WIRING INFORMATION.

STEP 1A: JUNCTION BOX VERSION INSTALLATION INSTRUCTIONS

1

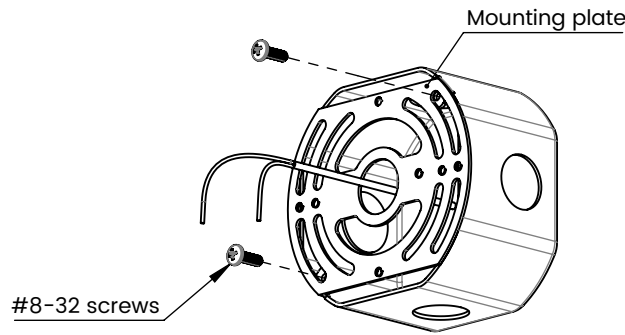


FIGURE 3

Pass low voltage wires from remote driver through the mounting plate and install mounting plate to the junction box using provided #8-32 screws. **It is important to install the mounting plate in the orientation shown for correct installation of the fixture.**

2

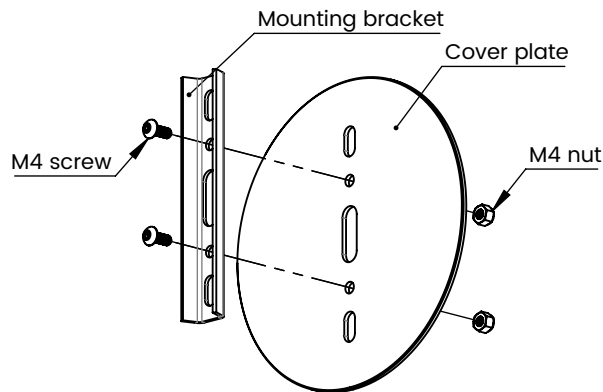


FIGURE 4

Install the mounting bracket on the cover plate as shown using provided M4 screws and nuts.

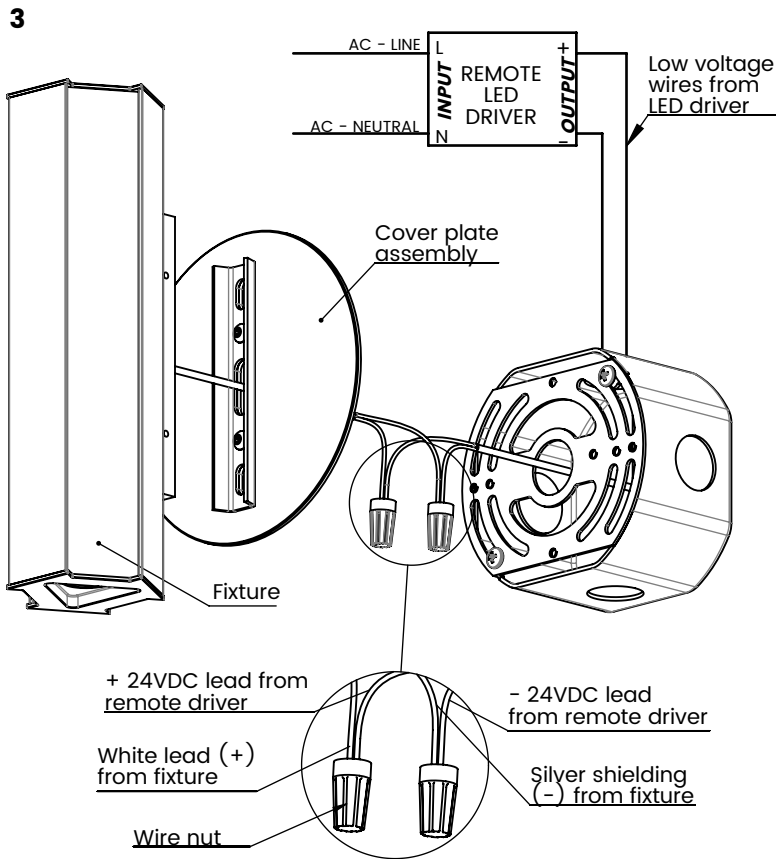


FIGURE 5

- A. Pass the wires coming from the fixture through the slot in the cover plate assembly as shown.
 - B. Connect wires according to the diagram (wire nuts provided).
 - C. Place the connected wires inside the junction box.
- Wires to and from the driver are not included.**

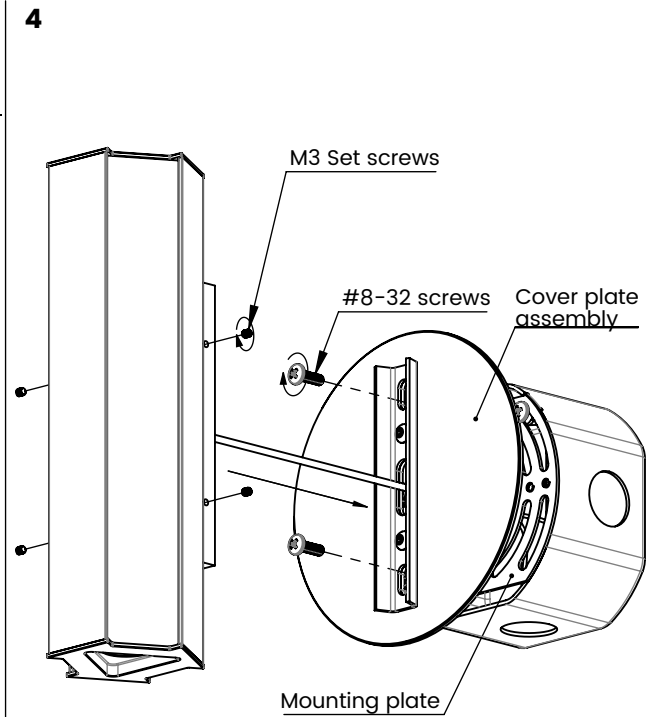


FIGURE 6

- A. Connect the cover plate assembly to the mounting plate using provided #8-32 screws.
- B. Connect the fixture to cover plate assembly using provided M3 set screws.

STEP 1B: WALL MOUNTED INSTALLATION INSTRUCTIONS

1

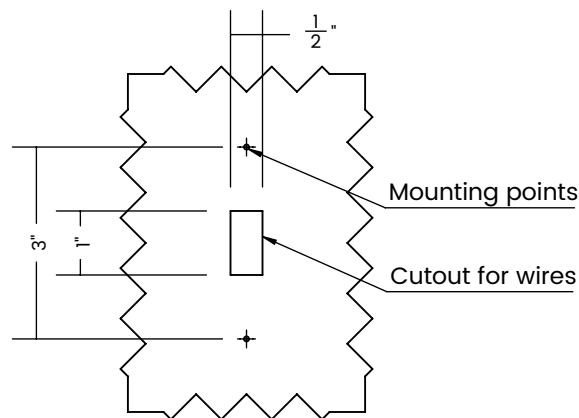


FIGURE 7

- A. Mark mounting points for the fixture as shown.
- B. Make a cutout as shown for the low voltage output wires from the remote driver.

2

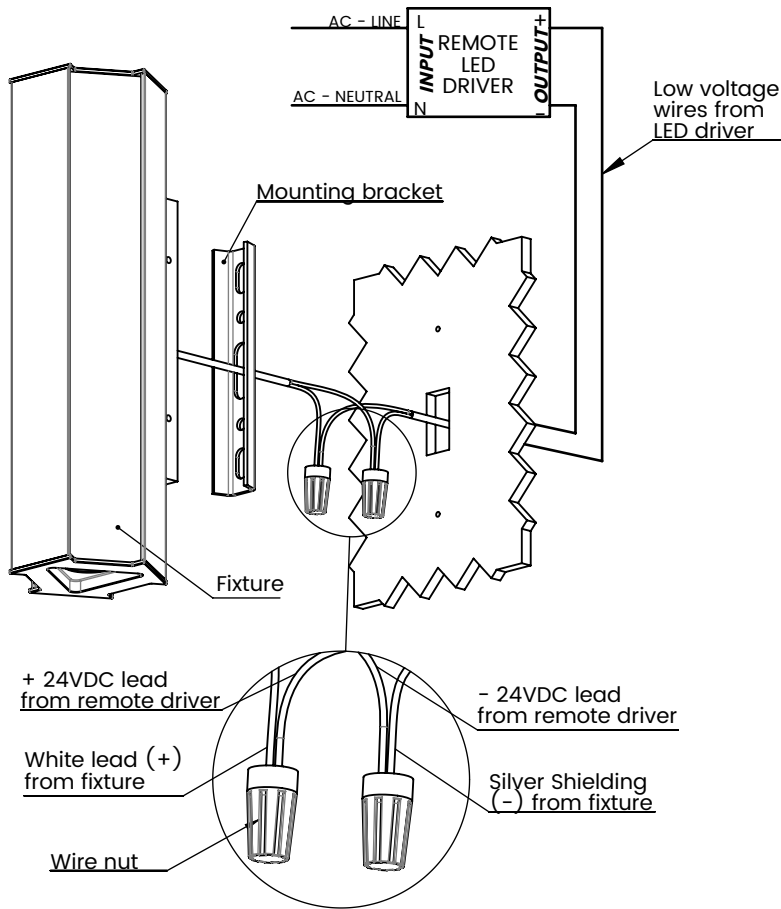


FIGURE 8

- A. Pass the wires coming from the fixture through the mounting bracket as shown.
- B. Connect wires according to the diagram (wire nuts provided).
- C. Place the connected wires inside the cutout.
Wires to and from the driver are not included.

3

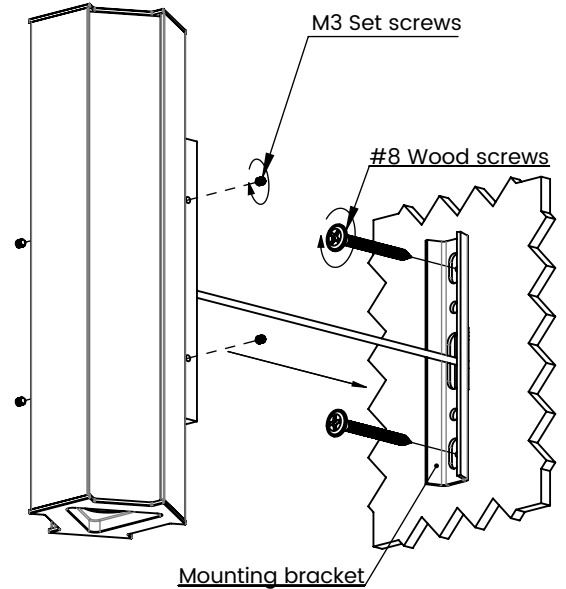


FIGURE 9

- A. Install the mounting bracket on the wall using provided #8 wood screws.
- B. Connect the fixture to mounting bracket using provided M3 set screws.
Wood screws are provided for default installation.
Alternate screws may be used at the recommendation of an electrician.

CARE INSTRUCTIONS

Gently wipe with a damp cloth to remove dirt, dust, and fingerprints.
 Do not use any chemical cleaning solution.
 Use indoors only.