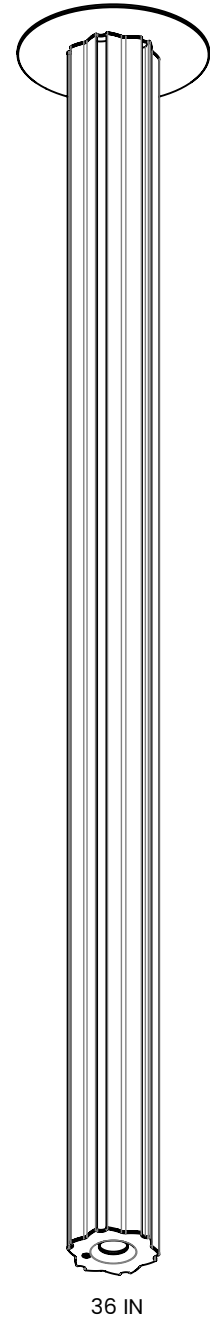
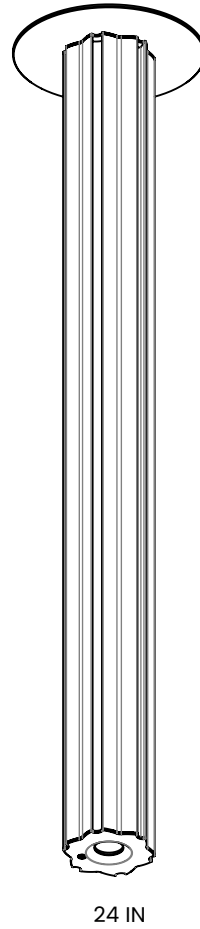
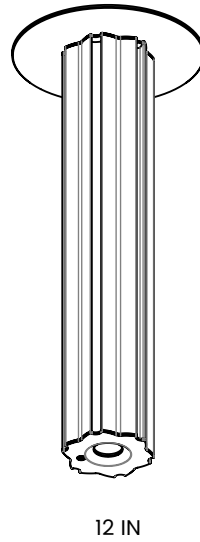
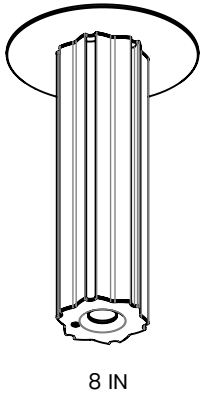


JUNIPER®

FLUTES IONIAN CEILING FLUSH MOUNT Remote Installation Guide



SHOWN ARE EXAMPLES OF CONFIGURATION POSSIBILITIES. SPECIFIC FIXTURE CONFIGURATION MAY VARY.

WARNING

A LICENSED ELECTRICIAN SHOULD PERFORM INSTALLATION IN ACCORDANCE WITH THE NATIONAL ELECTRIC CODE (NEC) AND RELEVANT LOCAL CODES. DISCONNECT MAIN POWER AT THE SOURCE PRIOR TO INSTALLATION.

INSTRUCTIONS MEANT FOR A REMOTE CLASS 2 DRIVER.

POWER FEED OPTIONS

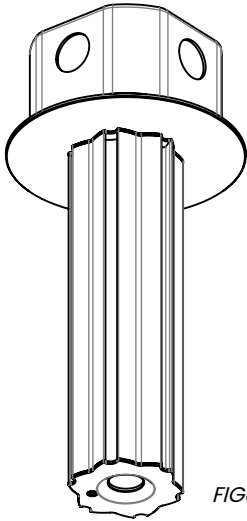


FIGURE 1

JUNCTION BOX MOUNTED

FOR FIXTURES WIRED TO A JUNCTION BOX.

SEE **STEP 1A** FOR DETAILED INSTALLATION AND WIRING INFORMATION.

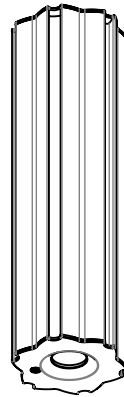


FIGURE 2

CEILING MOUNTED

FOR FIXTURE MOUNTED DIRECTLY TO THE CEILING.

SEE **STEP 1B** FOR DETAILED INSTALLATION AND WIRING INFORMATION.

STEP 1A: JUNCTION BOX COVER PLATE INSTALLATION INSTRUCTIONS

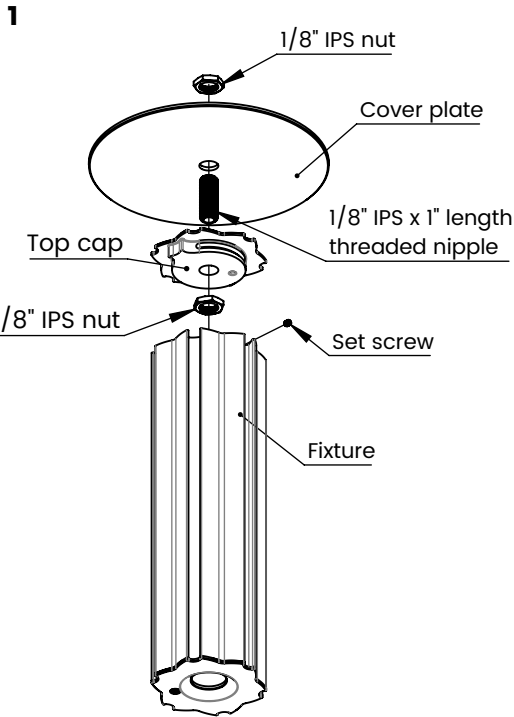


FIGURE 3

Remove set screw from fixture to release top cap. Install cover plate on the top cap as shown.

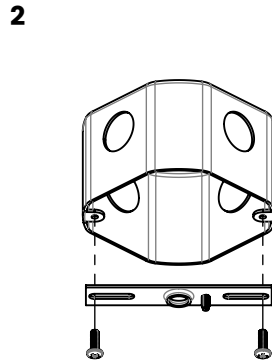


FIGURE 4

Attach the crossbar to the junction box using provided screws.

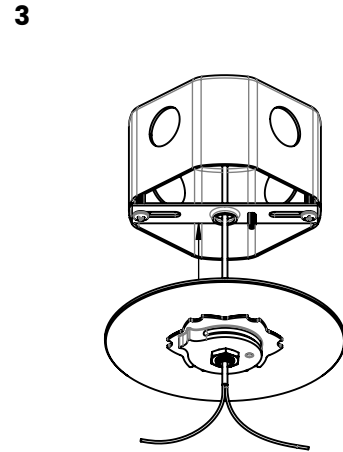


FIGURE 5

Pass low voltage wires from junction box through cross bar and through 1/8" IPS x 1" length threaded nipple attached to cover plate as shown. Screw 1/8" IPS x 1" length threaded nipple into the crossbar to connect cover plate to crossbar.

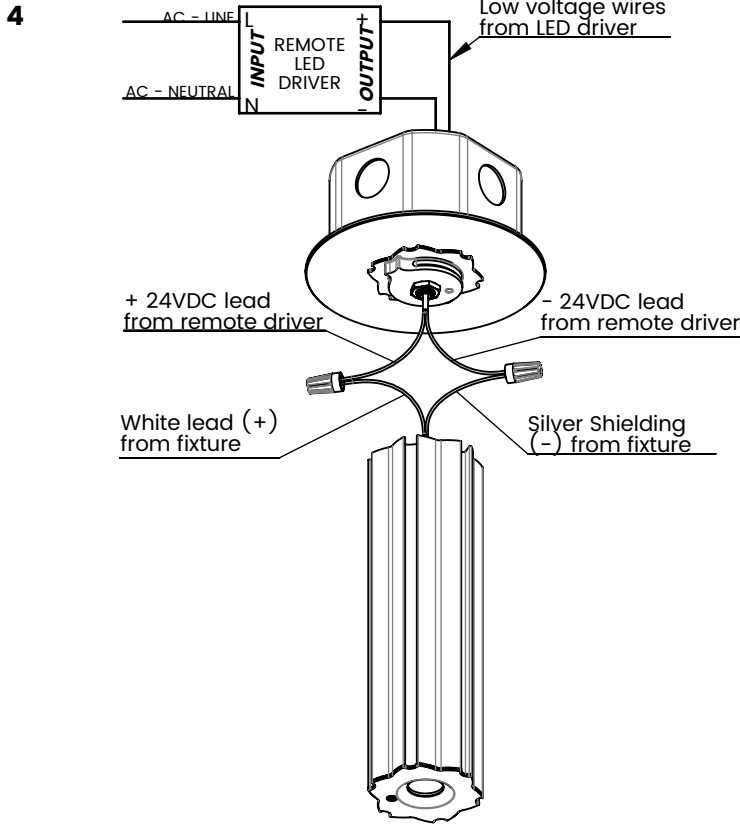


FIGURE 6

Connect wires according to diagram (wire nuts provided). **Wires to and from the driver are not included.**

STEP 1B: CEILING MOUNTING INSTALLATION INSTRUCTIONS

Fixture may not be able to rotate after installing in this configuration. Plan fixture's orientation prior to installation.

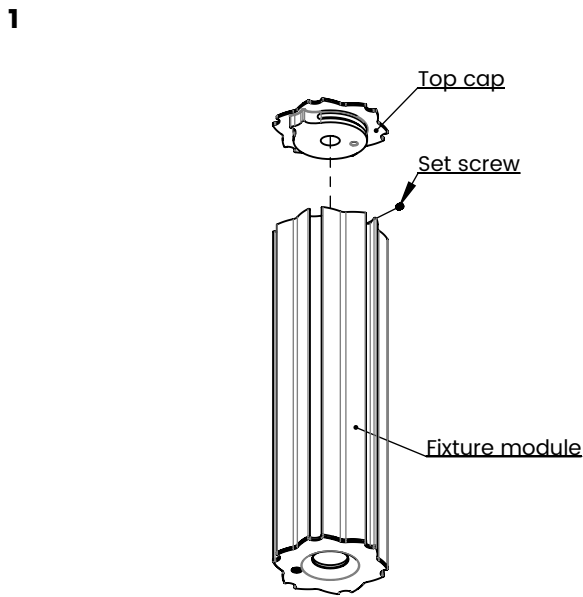


FIGURE 8

Remove set screw from fixture to release the top cap.

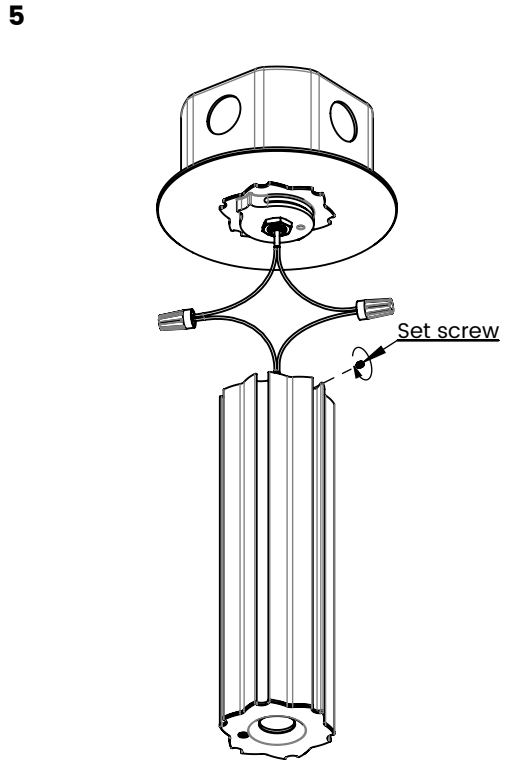


FIGURE 7

Push wires inside the fixture and use set screw (removed in first instruction) to connect canopy to cover plate.

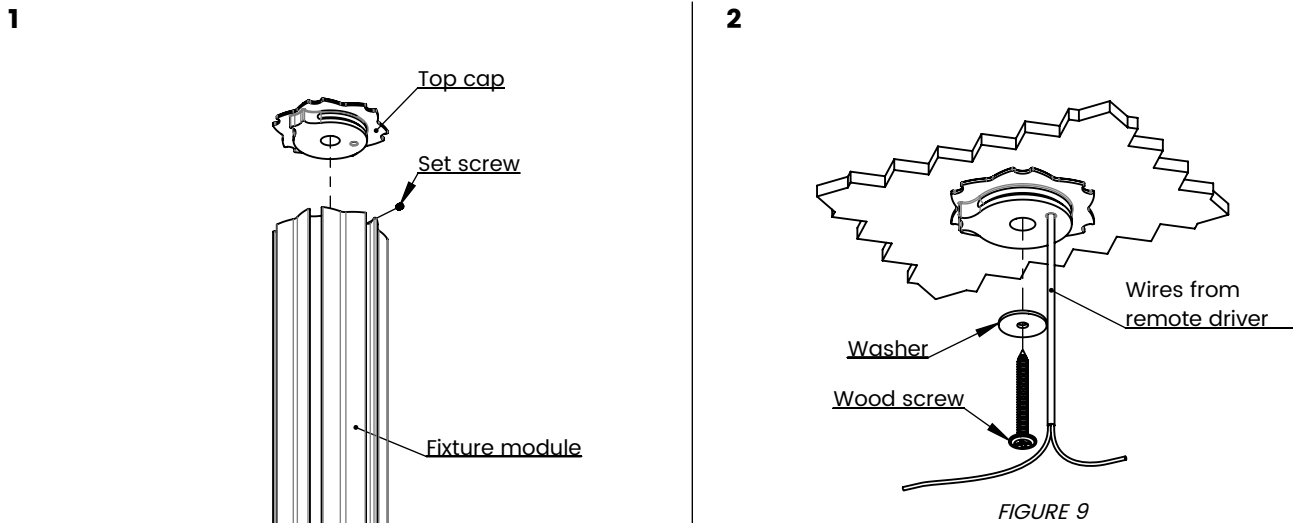


FIGURE 9

Pass low voltage wires from the remote driver through the smaller hole in the top cap. Using provided wood screw and washer, connect the top cap to ceiling. Wood screws are provided for default installation. Alternate screws may be used at the recommendation of an electrician.

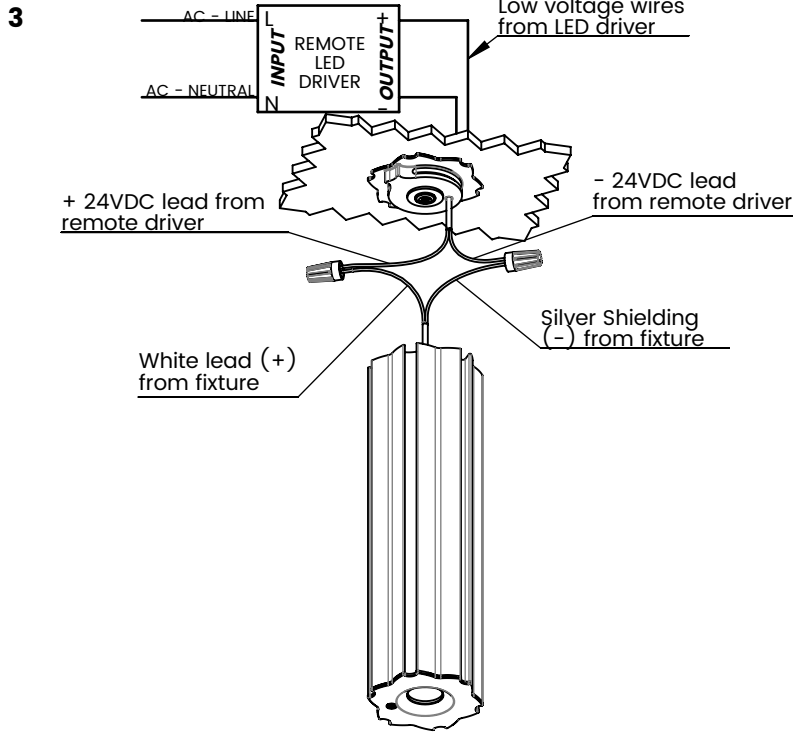


FIGURE 10

Connect wires according to diagram (wire nuts provided). **Wires to and from the driver are not included.**

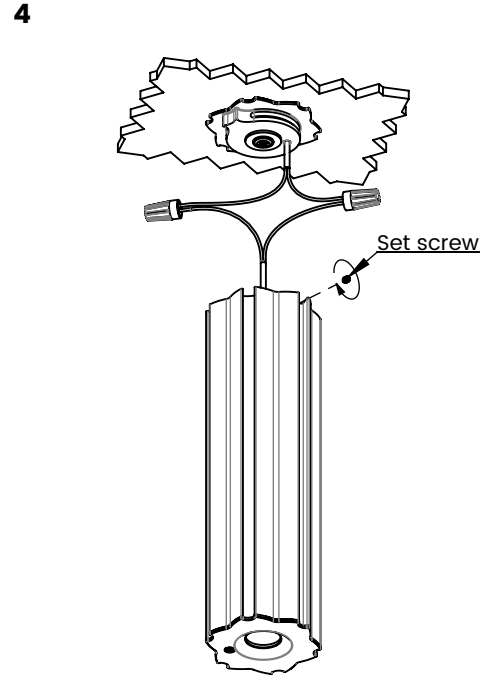


FIGURE 11

Push wires inside the fixture and use set screw (removed in first instruction) to connect canopy to cover plate.

CARE INSTRUCTIONS

- Gently wipe with a damp cloth to remove dirt, dust, and fingerprints.
- Do not use any chemical cleaning solution.
- Use indoors only.