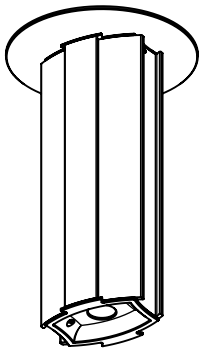
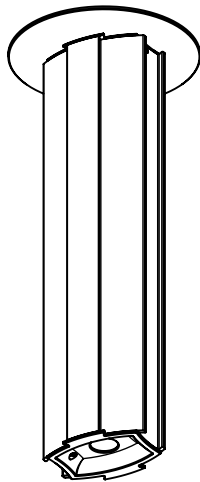


JUNIPER®

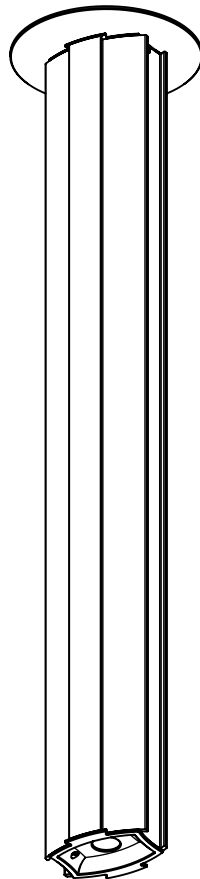
FLUTES LYDIAN CEILING FLUSH MOUNT Local Installation Guide



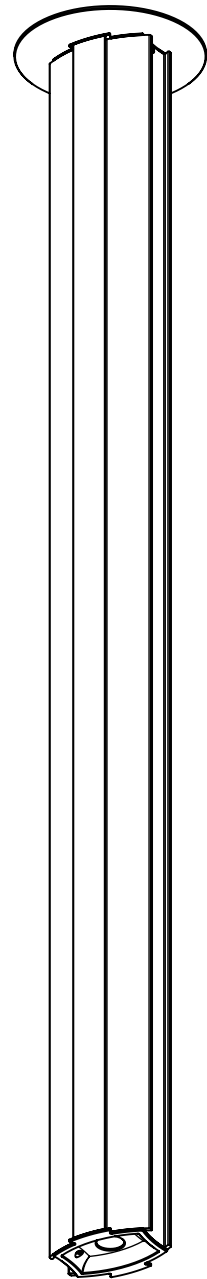
8 IN



12 IN



24 IN



36 IN

SHOWN ARE EXAMPLES OF CONFIGURATION POSSIBILITIES. SPECIFIC FIXTURE CONFIGURATION MAY VARY.

WARNING

A LICENSED ELECTRICIAN SHOULD PERFORM INSTALLATION IN ACCORDANCE WITH THE NATIONAL ELECTRIC CODE (NEC) AND RELEVANT LOCAL CODES. DISCONNECT MAIN POWER AT THE SOURCE PRIOR TO INSTALLATION.

INSTRUCTIONS MEANT FOR A LOCAL CLASS 2 DRIVER.

1

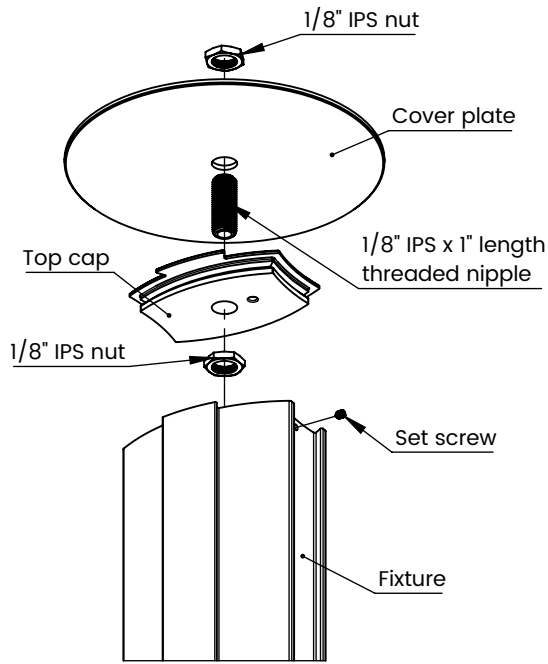


FIGURE 1

Remove set screw from fixture to release top cap. Install cover plate on the top cap as shown

2

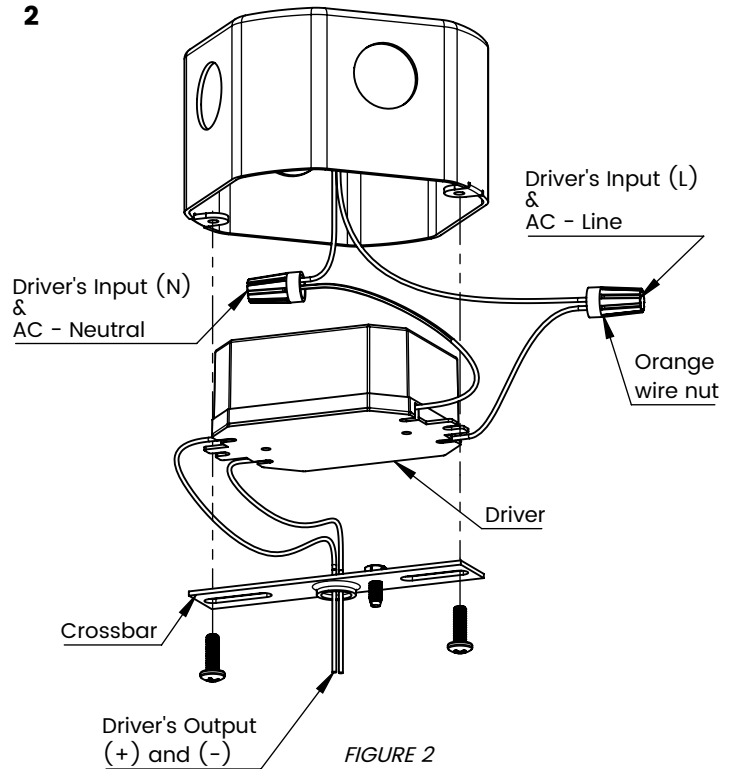


FIGURE 2

- A. Make wiring connections between driver's input wires and AC wires coming from the junction box as shown.
- B. Place driver and connected wires inside the junction box.
- C. Attach crossbar to the junction box using provided screws.
- D. Pass the output wires of the driver through the crossbar.

3

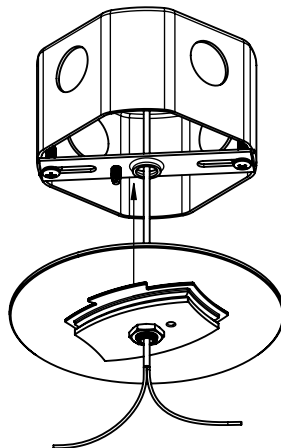


FIGURE 3

Pass low voltage wires from junction box through cross bar and through 1/8" IPS x 1" length threaded nipple attached to cover plate as shown. Screw 1/8" IPS x 1" length threaded nipple into the crossbar to connect cover plate to crossbar.

4

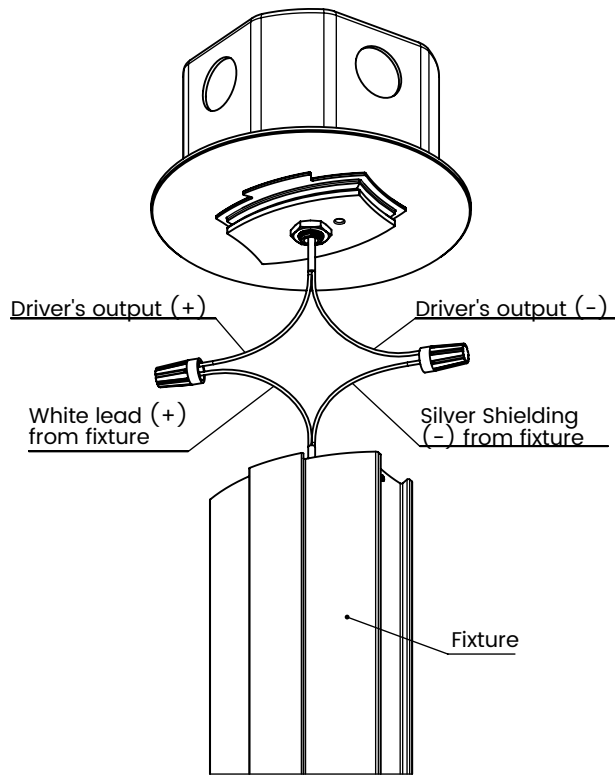


FIGURE 4

Connect wires according to diagram (wire nuts provided). **Wires to and from the driver are not included.**

5

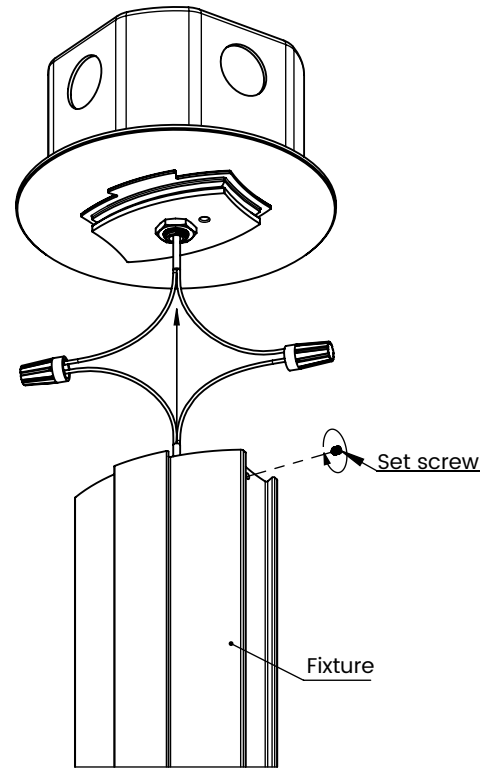


FIGURE 5

Push wires inside the fixture and use the set screw (removed in first instruction) to connect fixture to cover plate.

CARE INSTRUCTIONS

- Gently wipe with a damp cloth to remove dirt, dust, and fingerprints.
- Do not use any chemical cleaning solution.
- Use indoors only.