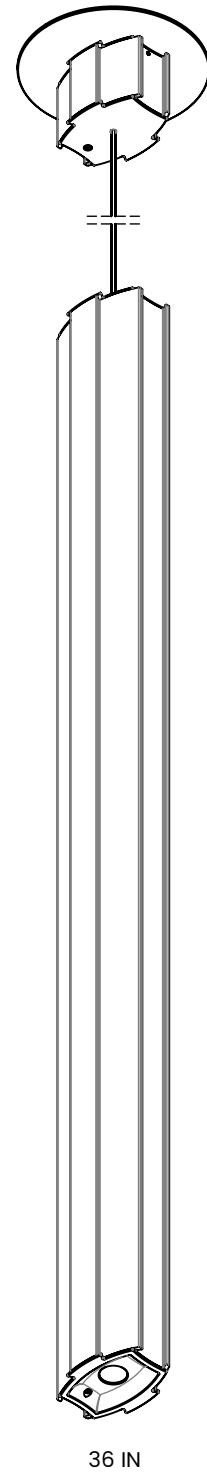
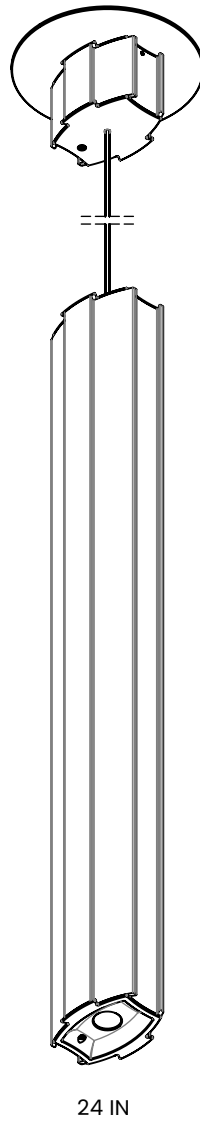
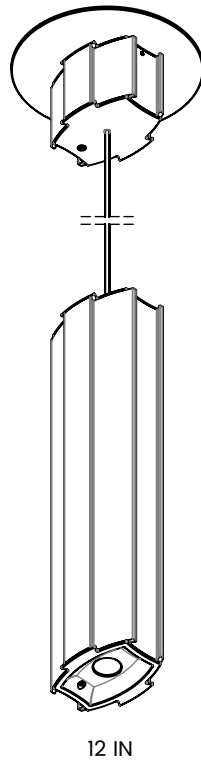
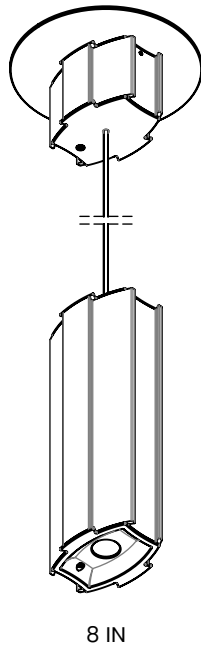


JUNIPER®

FLUTES LYDIAN Pendant Remote Installation Guide



SHOWN ARE EXAMPLES OF CONFIGURATION POSSIBILITIES. SPECIFIC FIXTURE CONFIGURATION MAY VARY.

WARNING

A LICENSED ELECTRICIAN SHOULD PERFORM INSTALLATION IN ACCORDANCE WITH THE NATIONAL ELECTRIC CODE (NEC) AND RELEVANT LOCAL CODES. DISCONNECT MAIN POWER AT THE SOURCE PRIOR TO INSTALLATION.

INSTRUCTIONS MEANT FOR A REMOTE CLASS 2 DRIVER.

POWER FEED OPTIONS

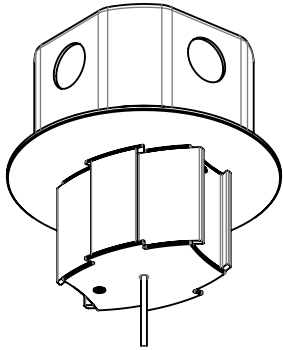


FIGURE 1

JUNCTION BOX MOUNTED

FOR FIXTURES WIRED TO A JUNCTION BOX.

SEE **STEP 1A** FOR DETAILED INSTALLATION AND WIRING INFORMATION.

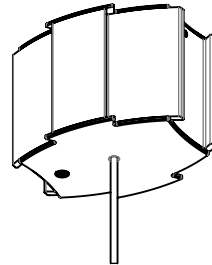


FIGURE 2

CEILING MOUNTED

FOR FIXTURE MOUNTED DIRECTLY TO THE CEILING.

SEE **STEP 1B** FOR DETAILED INSTALLATION AND WIRING INFORMATION.

STEP 1A: JUNCTION BOX COVER PLATE INSTALLATION INSTRUCTIONS

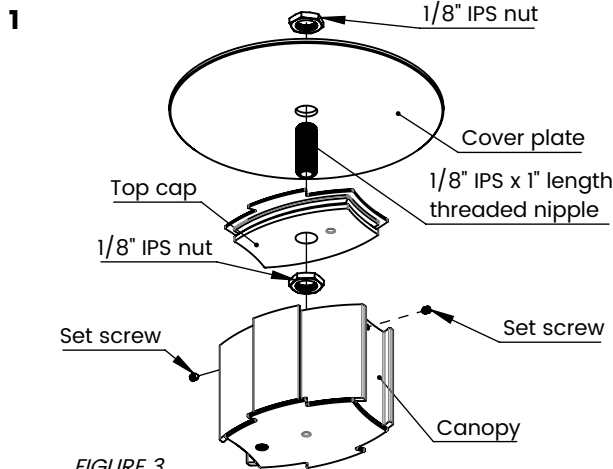


FIGURE 3

Remove set screws from canopy to release top cap. Install cover plate on the top cap as shown.

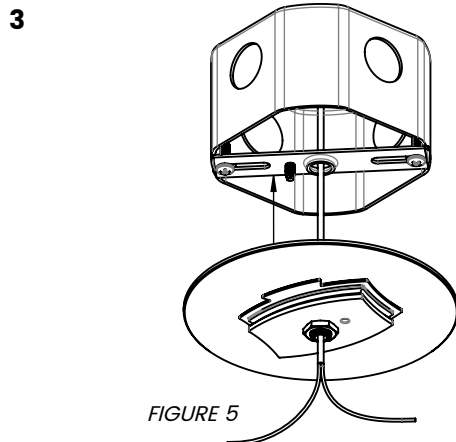


FIGURE 5

Pass low voltage wires from junction box through cross bar and through 1/8" IPS x 1" length threaded nipple attached to cover plate as shown. Screw 1/8" IPS into the crossbar to connect cover plate to crossbar.

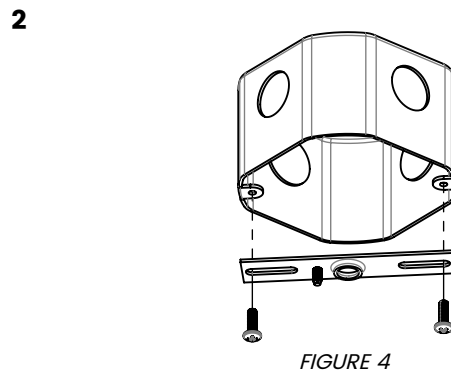


FIGURE 4

Attach the crossbar to the junction box using provided screws.

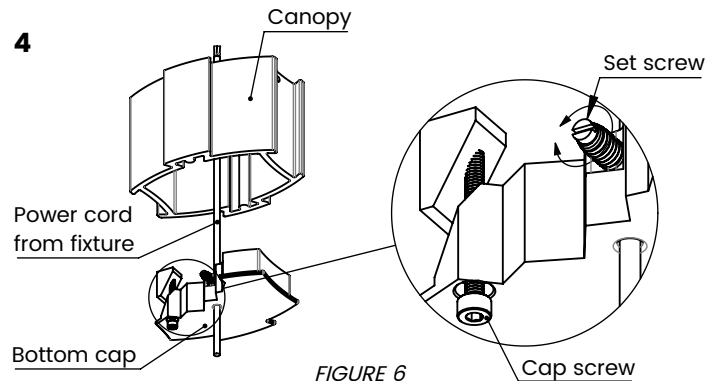
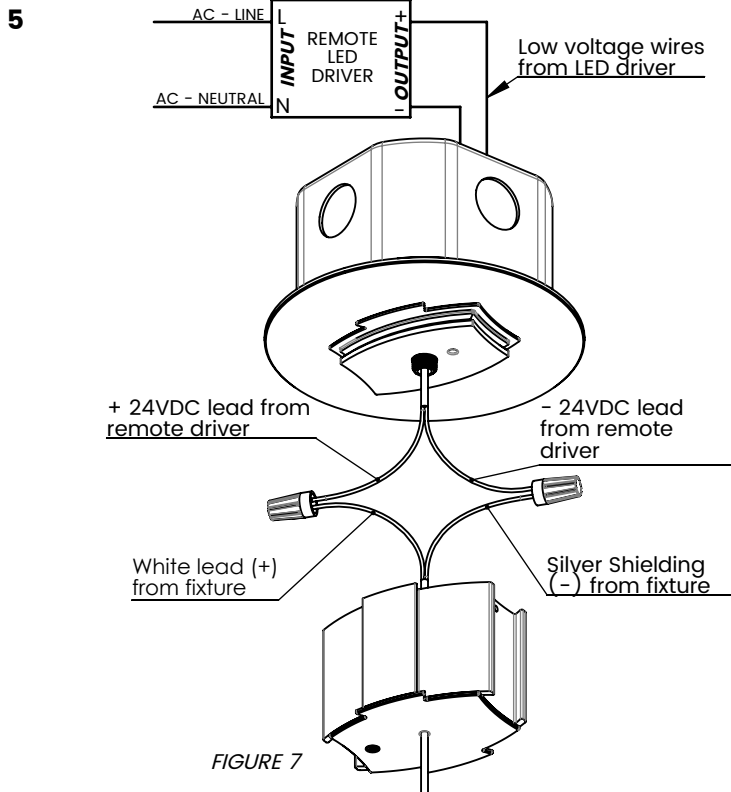
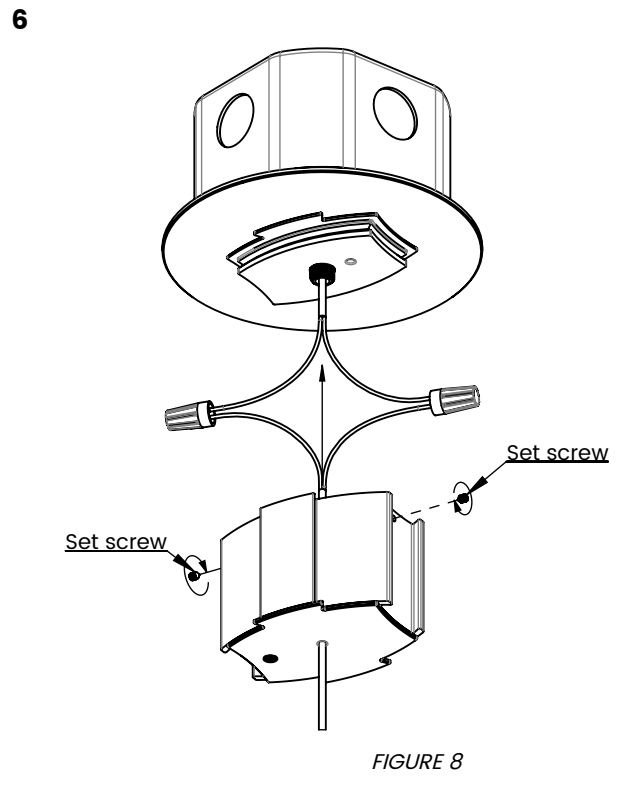


FIGURE 6

Loosen cap screw in bottom cap to release the bottom cap. Pass power cord from fixture through the cap and canopy as shown. Adjust the length of power cord to adjust fixture's drop height. Tighten set screw after adjusting power cord length. Attach bottom cap by tightening the cap screw. **Make sure bottom cap and canopy are aligned properly before securing cap screw.**

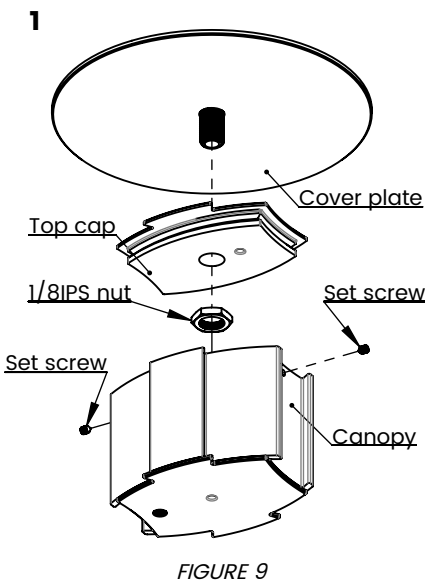


Connect wires according to diagram (wire nuts provided).
Wires to and from the driver are not included.

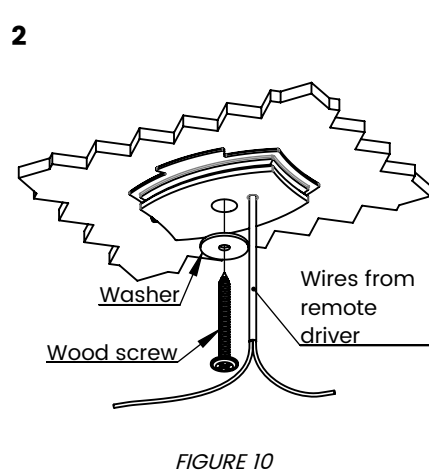


Push wires inside the canopy and use set screws (removed in first instruction) to connect canopy to cover plate.

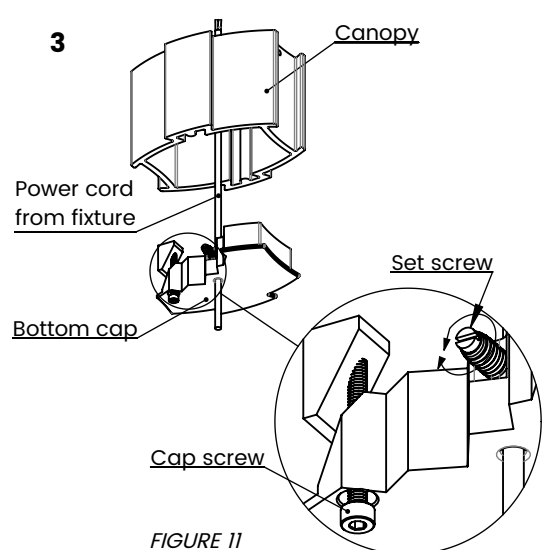
STEP 1B: CEILING MOUNTING INSTALLATION INSTRUCTIONS



Remove set screws from canopy to release the top cap.



Pass low voltage wires from the remote driver through the smaller hole in the top cap. Using provided wood screw and washer, connect the top cap to ceiling. Wood screws are provided for default installation. Alternate screws may be used at the recommendation of an electrician.



Loosen cap screw in bottom cap to release the bottom cap. Pass power cord from fixture through the cap and canopy as shown. Adjust the length of power cord to adjust fixture's drop height. Tighten set screw after adjusting power cord length. Attach bottom cap by tightening the cap screw.
Make sure bottom cap and canopy are aligned properly before securing cap screw.

4

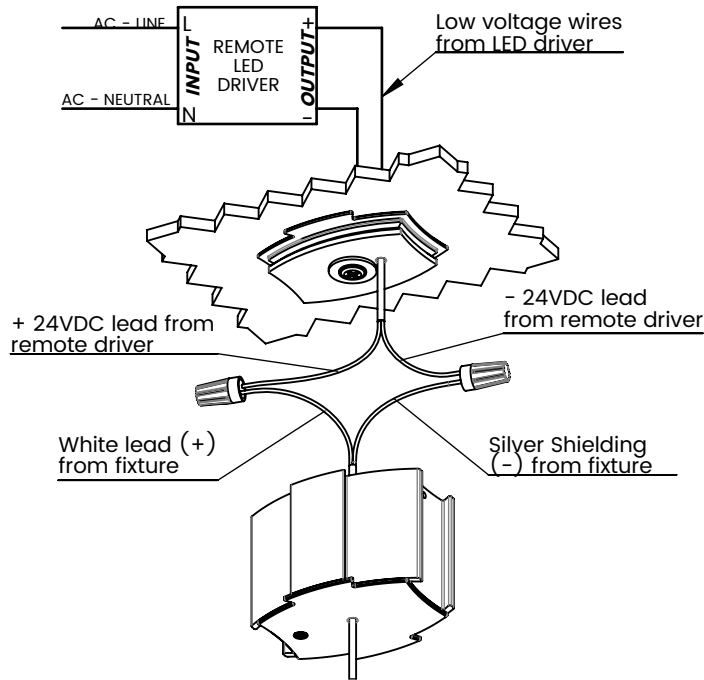


FIGURE 12

Connect wires according to diagram (wire nuts provided). **Wires to and from the driver are not included.**

5

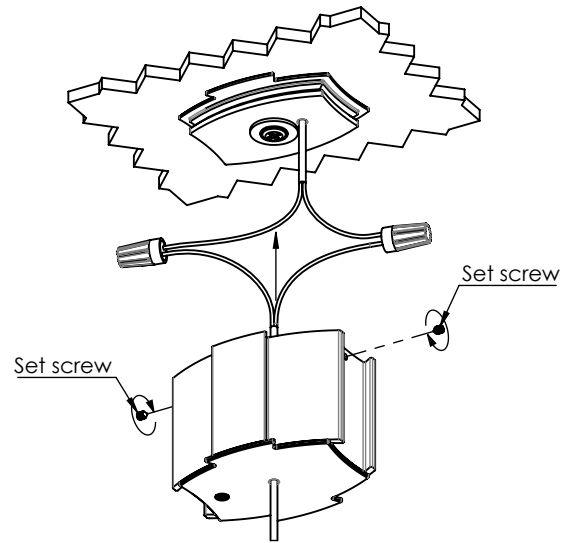


FIGURE 13

Push wires inside the canopy and use set screws (removed in first instruction) to connect canopy to cover plate.

CARE INSTRUCTIONS

- Gently wipe with a damp cloth to remove dirt, dust, and fingerprints.
- Do not use any chemical cleaning solution.
- Use indoors only.