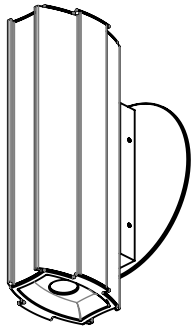


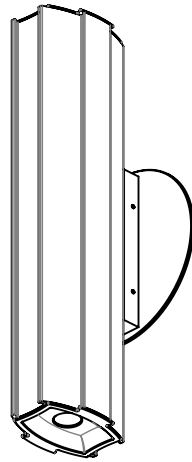
# JUNIPER®

## FLUTES LYDIAN SCONCE

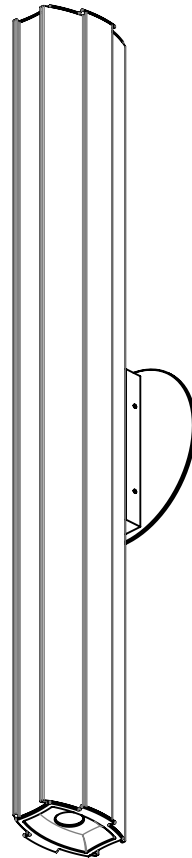
### Remote Installation Guide



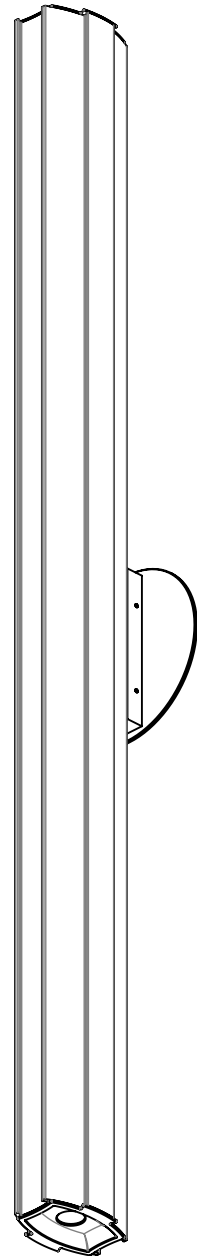
8 IN



12 IN



24 IN



36 IN

**WARNING**

**A LICENSED ELECTRICIAN SHOULD PERFORM INSTALLATION IN ACCORDANCE WITH THE NATIONAL ELECTRIC CODE (NEC) AND RELEVANT LOCAL CODES. DISCONNECT MAIN POWER AT THE SOURCE PRIOR TO INSTALLATION.**

**INSTRUCTIONS MEANT FOR A REMOTE CLASS 2 DRIVER.**

**POWER FEED OPTIONS**

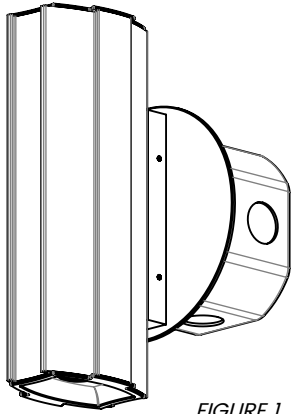


FIGURE 1

**JUNCTION BOX MOUNTED**

FOR FIXTURES WIRED TO A JUNCTION BOX.  
SEE **STEP 1A** FOR DETAILED INSTALLATION AND WIRING INFORMATION.

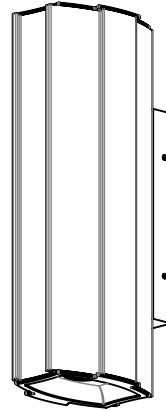


FIGURE 2

**WALL MOUNTED**

FOR FIXTURE MOUNTED DIRECTLY TO THE WALL.  
SEE **STEP 1B** FOR DETAILED INSTALLATION AND WIRING INFORMATION.

**STEP 1A: JUNCTION BOX VERSION INSTALLATION INSTRUCTIONS**

**1**

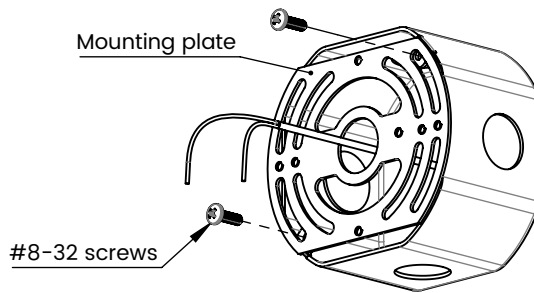


FIGURE 3

Pass low voltage wires from remote driver through the mounting plate and install mounting plate to the junction box using provided #8-32 screws. **It is important to install the mounting plate in the orientation shown for correct installation of the fixture.**

**2**

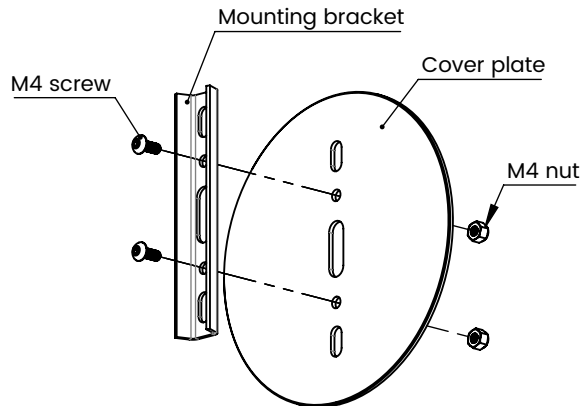


FIGURE 4

Install the mounting bracket on the cover plate as shown using provided M4 screws and nuts.

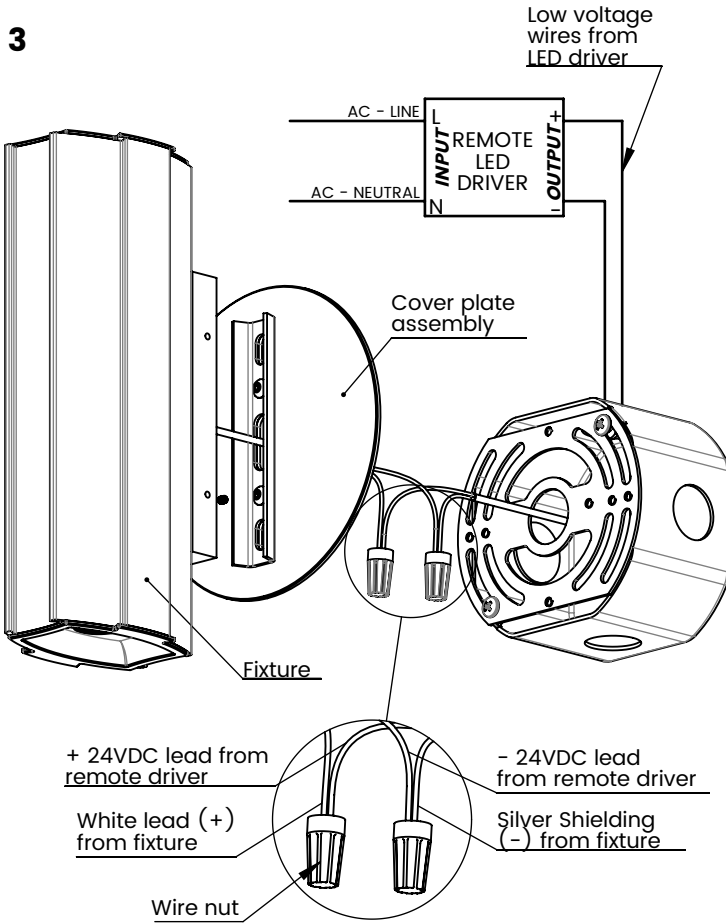


FIGURE 5

- A. Pass the wires coming from the fixture through the cover plate assembly as shown.
- B. Connect wires according to diagram (wire nuts provided).
- C. Place the connected wires inside the junction box.  
**Wires to and from the driver are not included.**

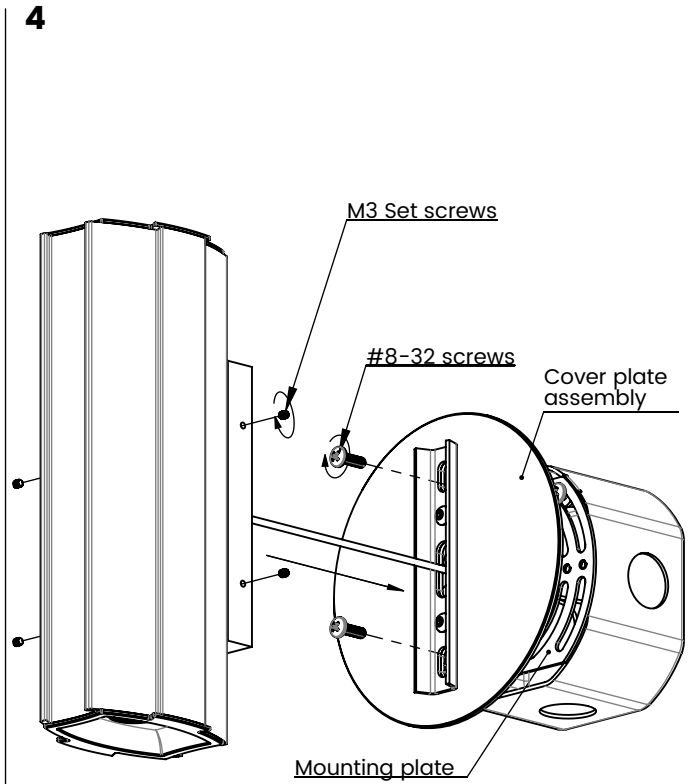


FIGURE 6

- A. Connect the cover plate assembly to the mounting plate using provided #8-32 screws.
- B. Connect the fixture to cover plate assembly using provided M3 set screws.

**STEP 1B: WALL MOUNTED INSTALLATION INSTRUCTIONS**

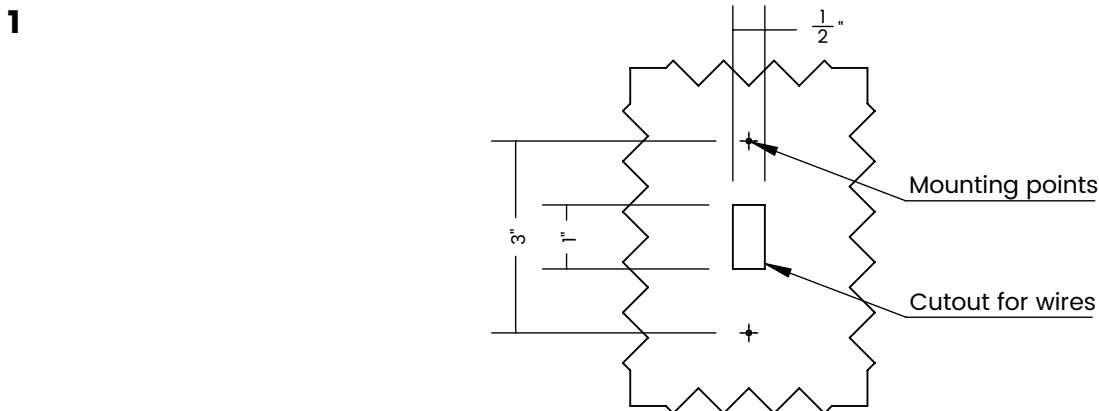


FIGURE 7

- A. Mark mounting points for the fixture as shown.
- B. Make a cutout as shown for the low voltage output wires from the remote driver.

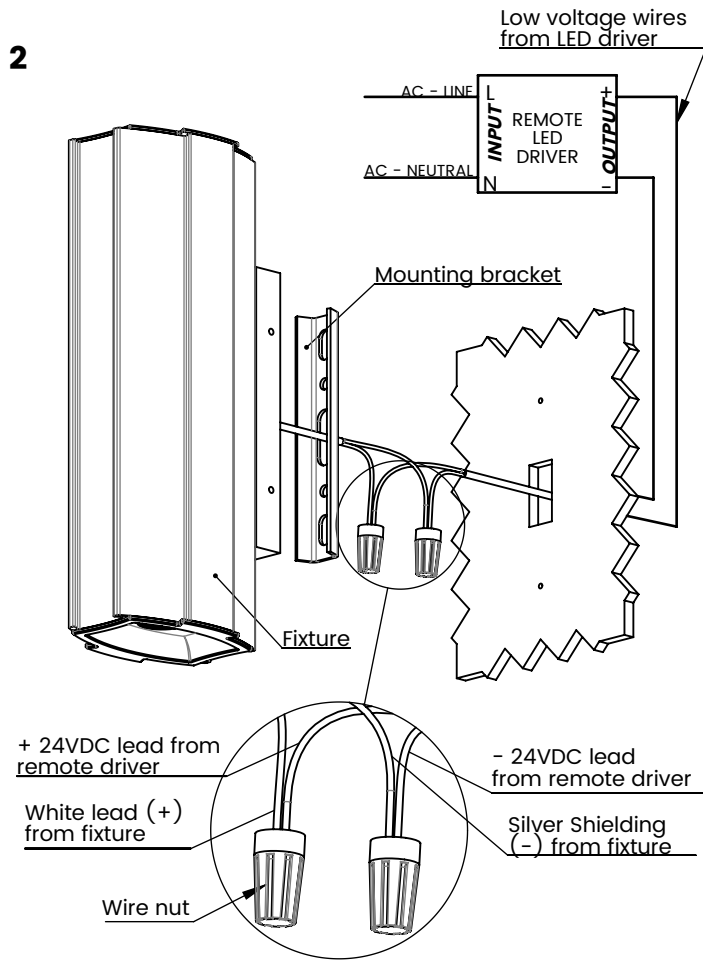


FIGURE 8

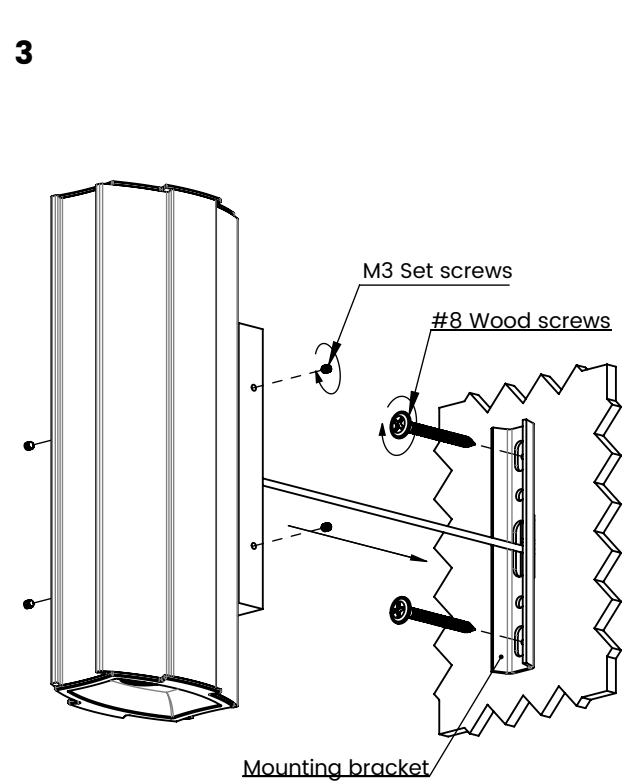


FIGURE 9

- A. Pass the wires coming from the fixture through the slot in the mounting bracket as shown.
  - B. Connect wires according to the diagram (wire nuts provided).
  - C. Place the connected wires inside the cutout.
- Wires to and from the driver are not included.**

- A. Install the mounting bracket on the wall using provided #8 wood screws.
  - B. Connect the fixture to mounting bracket using provided M3 set screws.
- Wood screws are provided for default installation. Alternate screws may be used at the recommendation of an electrician.**

**CARE INSTRUCTIONS**

Gently wipe with a damp cloth to remove dirt, dust, and fingerprints.

Do not use any chemical cleaning solution.

Use indoors only.