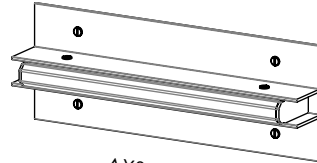


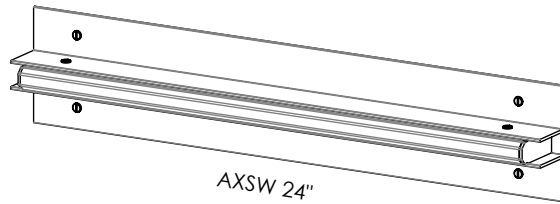
JUNIPER[®]

AXIS - Wall Sconce

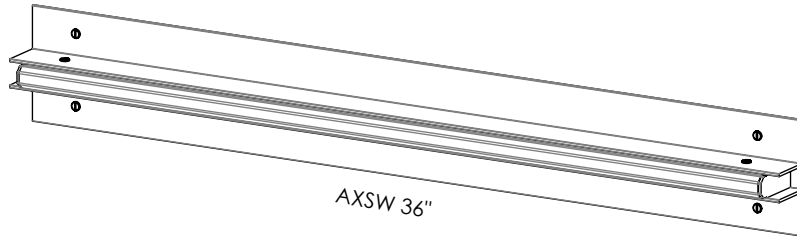
Local Installation Guide



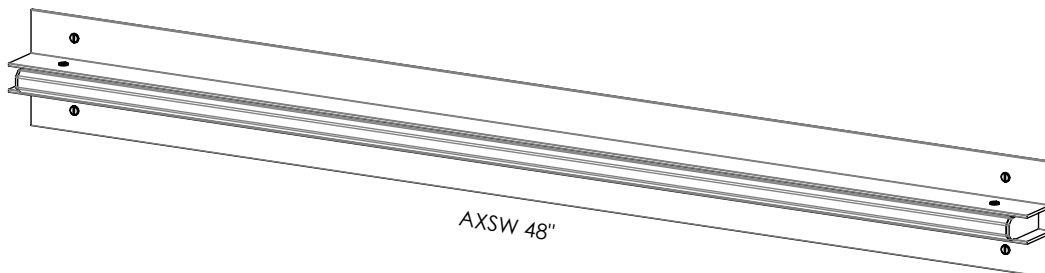
AXSW 12"



AXSW 24"



AXSW 36"



AXSW 48"

WARNING

A LICENSED ELECTRICIAN SHOULD PERFORM INSTALLATION. DISCONNECT MAIN POWER AT THE SOURCE PRIOR TO INSTALLATION.

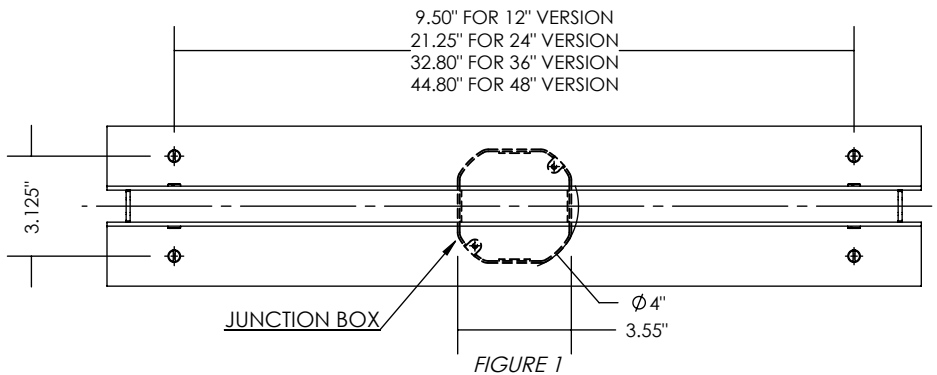
INSTRUCTIONS IN MEANT FOR A LOCAL CLASS 2 DRIVER.

DUE TO HEAVY WEIGHT OF THE FIXTURE, EXTRA CAUTION IS REQUIRED WHEN HANDLING. PREFERABLY, TWO PEOPLE SHOULD BE INVOLVED IN THE INSTALLATION OF THE FIXTURE.

BLOCKING MAY BE REQUIRED FOR DRY WALL MOUNTHING.

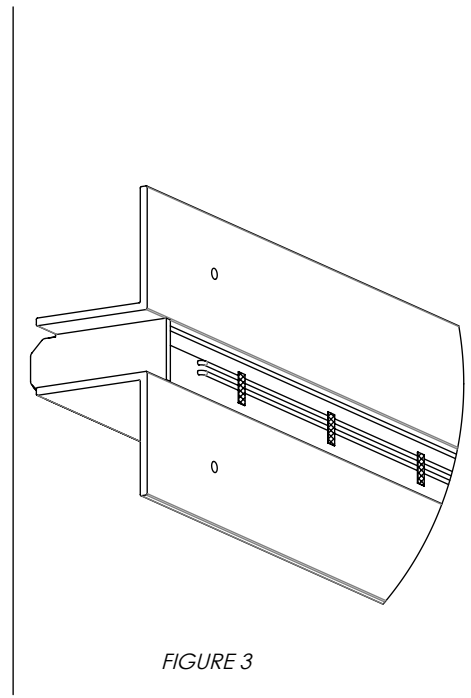
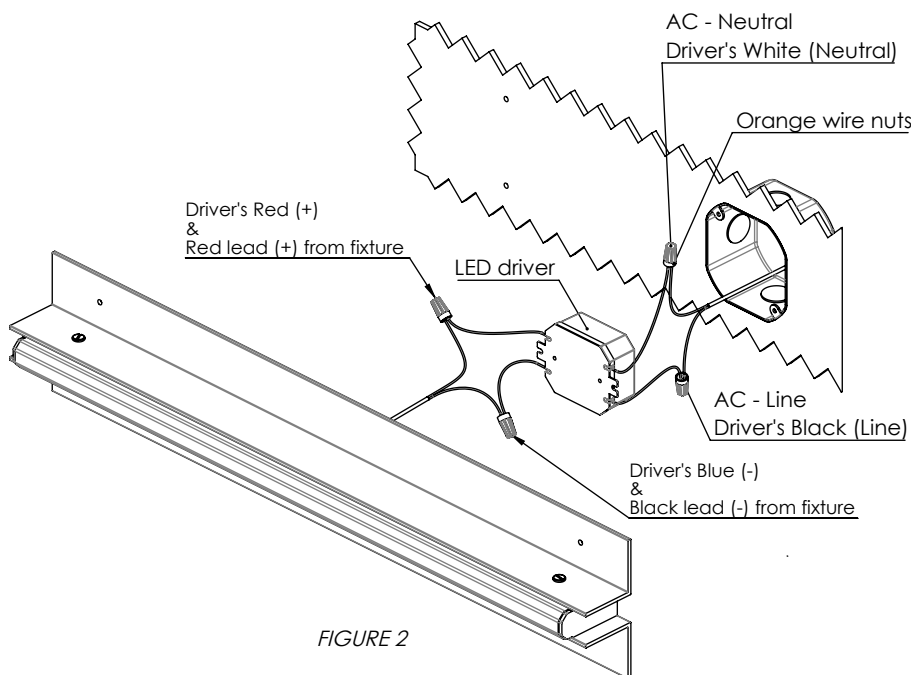
STEP 1: MARK MOUNTING POINTS

Carefully mark the mounting points with a pencil or marker, using the spacings indicated in Figure 1. **It is highly recommended to use a laser alignment/ measuring tool to ensure that mounted parts are properly distanced.**



When mounting the fixture over a junction box, make sure the fixture completely covers the junction box.

STEP 2: WIRING THE FIXTURE



Connect wires according to the diagram shown in *FIGURE 2*. Tape the loose wire at the back of the fixture as shown in *FIGURE 3*.

You may require assistance holding the light fixture while making wire connections. Wires to and from the driver are not provided.

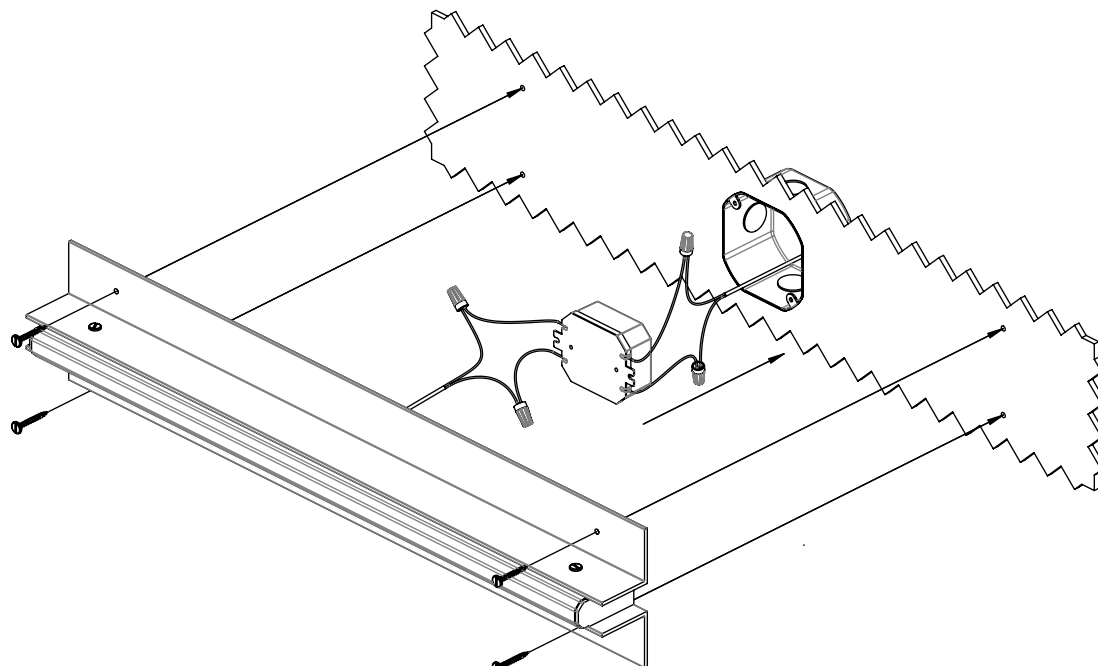
STEP 3: MOUNTING FIXTURE WITH JUNCTION BOX

FIGURE 4

Place the LED driver and connected wires inside the junction box and install the fixture using provided wood screws. **Blocking is recommended for drywall mounting.**

CARE INSTRUCTIONS

Brass will patina over time like other natural metals and regular care is required in order to retain the quality finish of your fixture for years to come.

Gently wipe with a damp cloth to remove dirt, dust, and fingerprints.

Do not use any chemical cleaning solution.

Use indoors only.