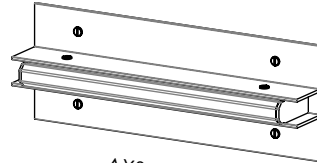


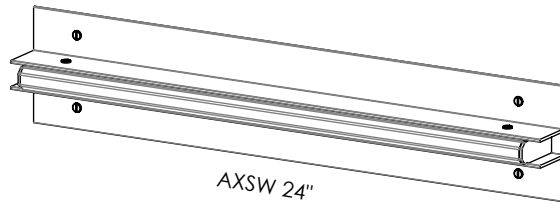
JUNIPER[®]

AXIS - Wall Sconce

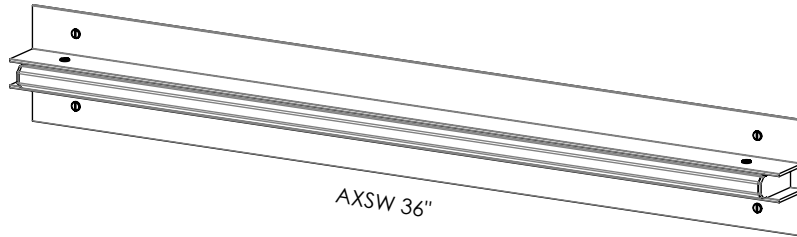
Installation Guide



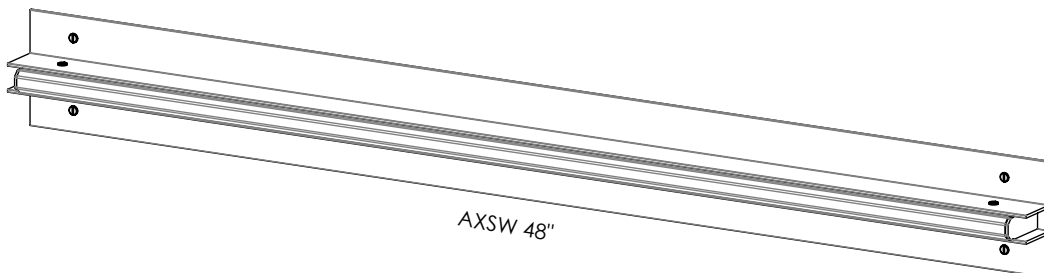
AXSW 12"



AXSW 24"



AXSW 36"



AXSW 48"

WARNING

A LICENSED ELECTRICIAN SHOULD PERFORM INSTALLATION. DISCONNECT MAIN POWER AT THE SOURCE PRIOR TO INSTALLATION.

INSTRUCTIONS ARE MEANT FOR A REMOTE CLASS 2 DRIVER.

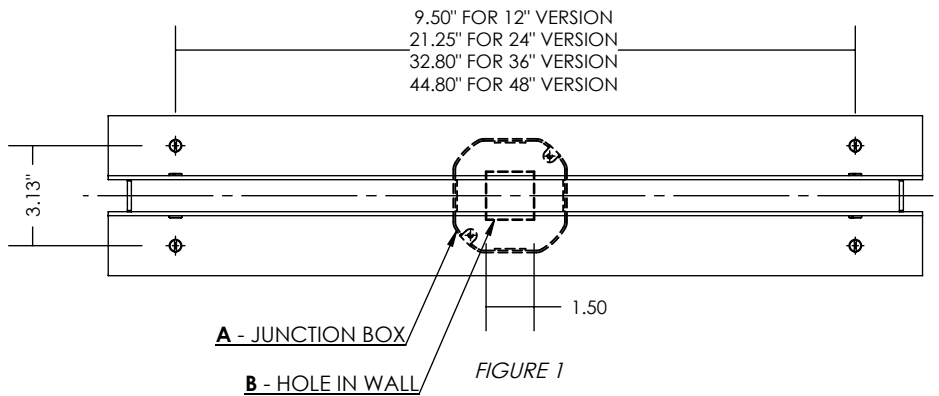
DUE TO HEAVY WEIGHT OF THE FIXTURE, EXTRA CAUTION IS REQUIRED WHEN HANDLING.

PREFERABLY, TWO PEOPLE SHOULD BE INVOLVED IN THE INSTALLATION OF THE FIXTURE.

BLOCKING MAY BE REQUIRED FOR DRY WALL MOUNTING.

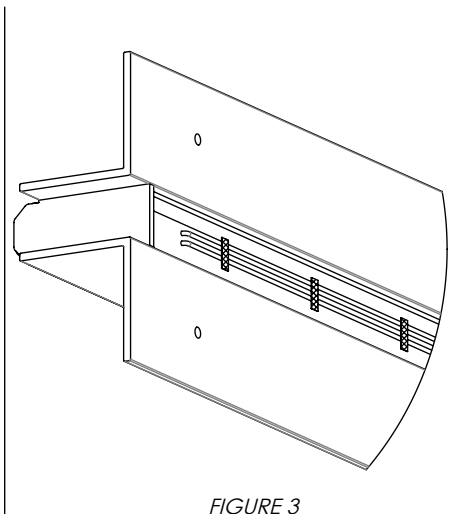
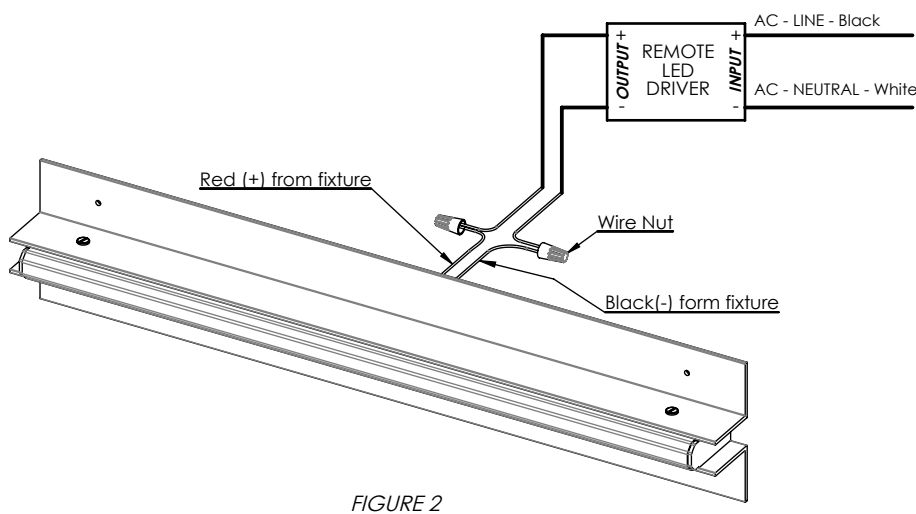
STEP 1: MARK MOUNTING POINTS

Carefully mark the mounting points with a pencil or marker, using the spacings indicated in Figure 1. **It is highly recommended to use a laser alignment/ measuring tool to ensure that mounted parts are properly distanced.**



- A** - When mounting the fixture over a junction box, make sure the fixture completely covers the junction box.
- B** - When mounting the fixture without a junction box, mark and cut out a 1.5in square hole in the wall to receive the wires for powering and grounding the fixture. Ensure that the hole is centered between the longer sides of the fixture.

STEP 2: WIRING THE FIXTURE



Connect wires according to the diagram shown in *FIGURE 2*. Tape the loose wire at the back of the fixture as shown in *FIGURE 3*.

You may require assistance holding the light fixture while making wire connections. Wires to and from the driver are not provided.

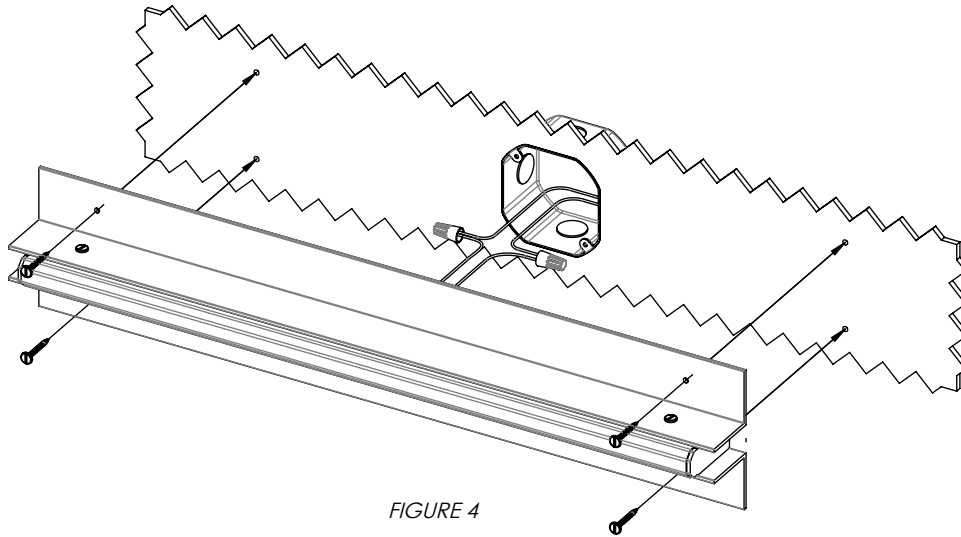
STEP 3A: MOUNTING FIXTURE WITH JUNCTION BOX

FIGURE 4

Push the wires and wire nuts inside the junction box and install the fixture using provided wood screws. **Blocking is recommended for drywall mounting.**

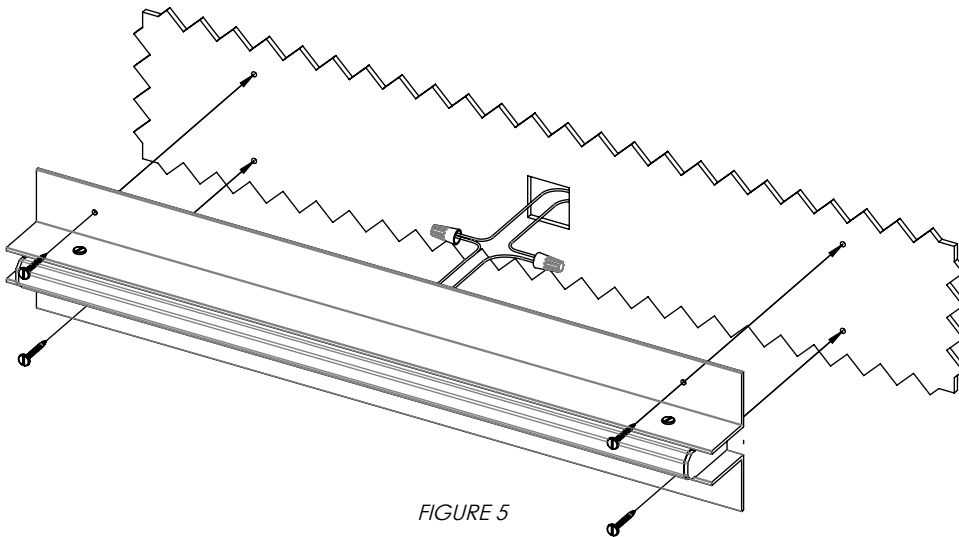
STEP 3B: MOUNTING FIXTURE WITHOUT JUNCTION BOX

FIGURE 5

Push the wires and wire nuts inside the hole in the wall and install fixture using provided wood screws. **Blocking is recommended for drywall mounting.**

CARE INSTRUCTIONS

Brass will patina over time like other natural metals and regular care is required in order to retain the quality finish of your fixture for years to come.

Gently wipe with a damp cloth to remove dirt, dust, and fingerprints.

Do not use any chemical cleaning solution.

Use indoors only.