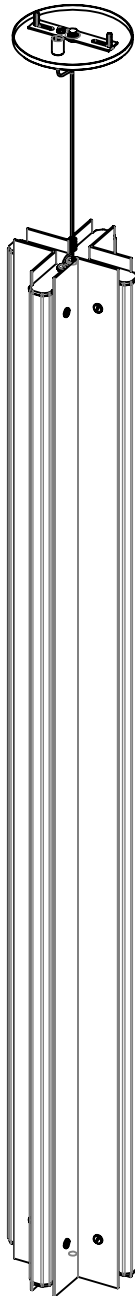
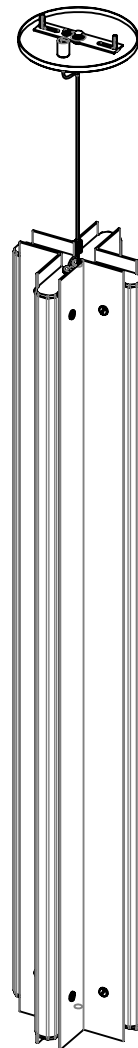


JUNIPER[®]

AXIS X - Vertical Suspension Remote Installation Guide



48" AXIS X - Vertical Suspension



36" AXIS X - Vertical Suspension

WARNING

**A LICENSED ELECTRICIAN SHOULD PERFORM INSTALLATION.
DISCONNECT MAIN POWER AT THE SOURCE PRIOR TO INSTALLATION.**

INSTRUCTIONS MEANT FOR A REMOTE CLASS 2 DRIVER.

DUE TO HEAVY WEIGHT OF THE FIXTURE, EXTRA CAUTION IS REQUIRED WHEN HANDLING.

POWER FEED OPTIONS

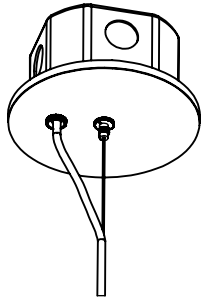


FIGURE 1

CANOPY PLATE

FOR FIXTURES MOUNTED TO A JUNCTION BOX.

SEE **STEP 1A** FOR DETAILED INSTALLATION AND WIRING INFORMATION.

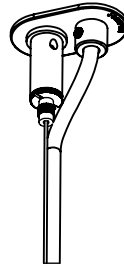


FIGURE 2

MINI MOUNTING PLATE

FOR FIXTURES MOUNTED DIRECTLY TO THE CEILING.

SEE **STEP 1B** FOR DETAILED INSTALLATION AND WIRING INFORMATION.

BLOCKING IS REQUIRED FOR DRYWALL MOUNTING.

STEP 1A: JUNCTION BOX COVER PLATE INSTALLATION INSTRUCTIONS

1

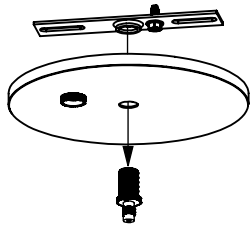


FIGURE 3

Remove gripper from the canopy cover to release the crossbar.

2

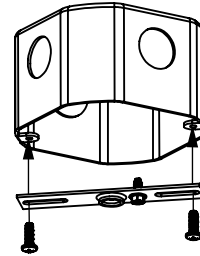


FIGURE 4

Attach the crossbar to the junction box using provided screws.

3

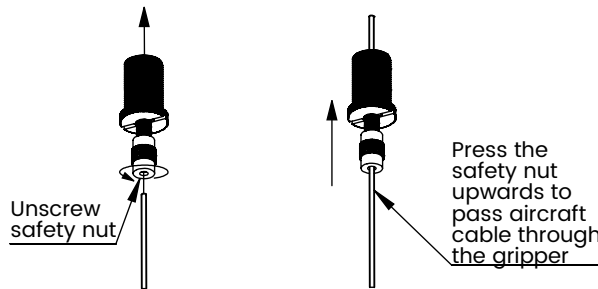
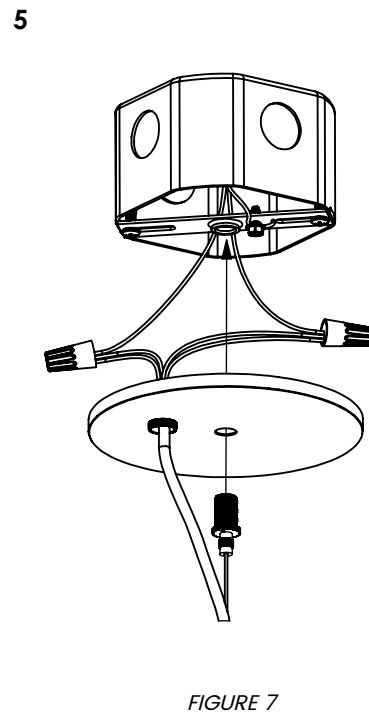
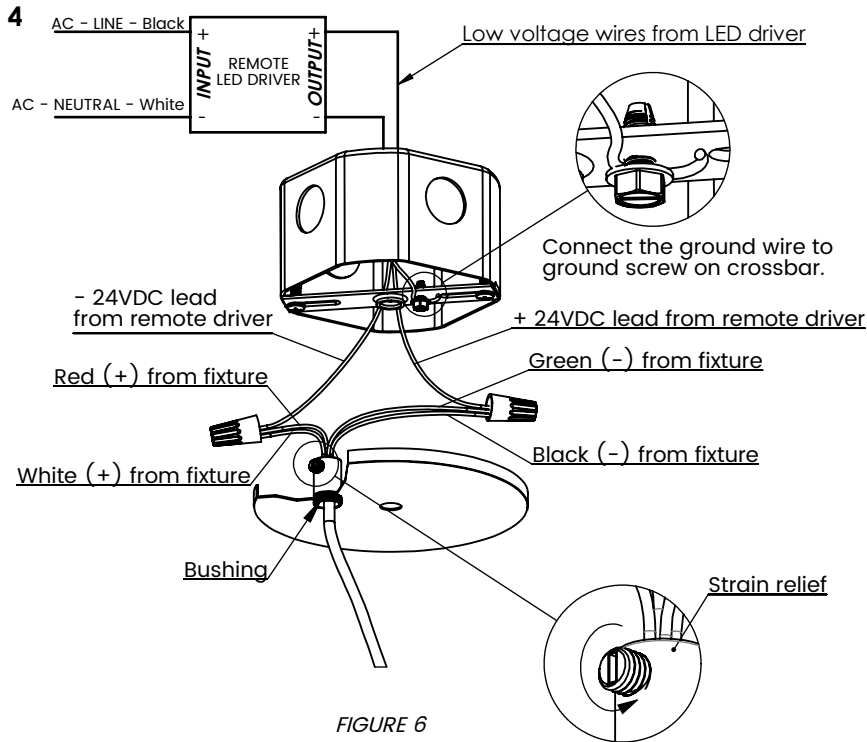


FIGURE 5

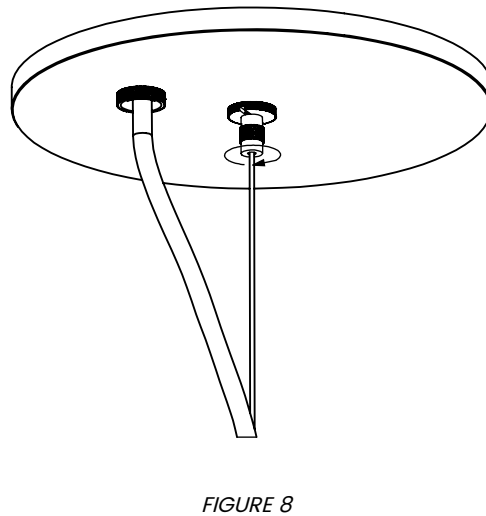
Partly loosen safety nut on cable gripper. Feed aircraft cable through the gripper.



Loosen the screw on the strain relief and pass power cable through bushing and strain relief as shown. Connect wires according to diagram (wire nuts provided). **Length of power cord should be adjusted for desired suspension height. Tighten the setscrew on the strain relief after adjustment. Wires to and from the driver are not included.**

Push wires inside the junction box and screw gripper into crossbar to attach canopy plate to the junction box.

6



Adjust aircraft cable length as needed. Press safety nut on gripper to loosen aircraft cable. Tighten safety nut in completely when finished. **Do not cut extra aircraft cable until full fixture is assembled and desired suspension height is achieved.**

STEP 1B: MINI MOUNTING PLATE INSTALLATION INSTRUCTIONS

1

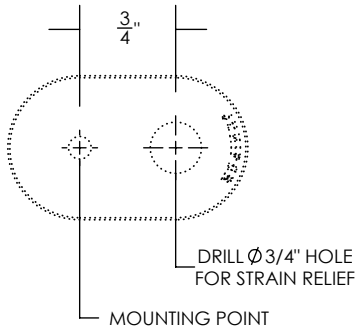


FIGURE 9

Drill hole for strain relief according to diagram.

2

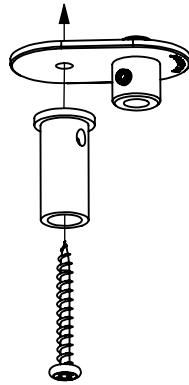


FIGURE 10

Install using provided screws according to diagram.
Blocking is required for drywall mounting.

3



FIGURE 11

Partly unscrew safety nut on gripper and feed aircraft cables through.

4

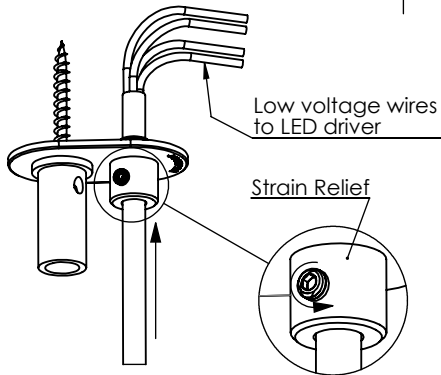


FIGURE 12

Loosen the set screw on the strain relief and pass the power cord through the strain relief. Connect to electrician-provided 18AWG in-wall rated cable (recommended).

Tighten the set screw on strain relief after adjusting fixture height.

5

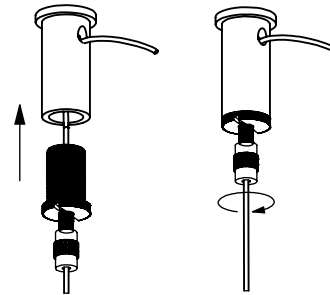


FIGURE 13

Screw grippers into ceiling posts. Adjust aircraft cable lengths as needed. Press safety nut on gripper to release aircraft cable. Tighten safety nut when finished. **Do not cut extra aircraft cable until fixture is fully assembled and desired suspension height is achieved.**

STEP 3: CONSTRAINING THE POWER CORD

6

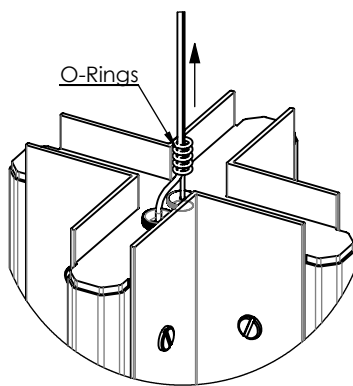


FIGURE 14

Space the O-rings apart at the power end along the length of the cable to constrain the power cord to aircraft cable.

CARE INSTRUCTIONS

Brass will patina over time like other natural metals and regular care is required in order to retain the quality finish of your fixture for years to come.

Gently wipe with a damp cloth to remove dirt, dust, and fingerprints.

Do not use any chemical cleaning solution.

Use indoors only.