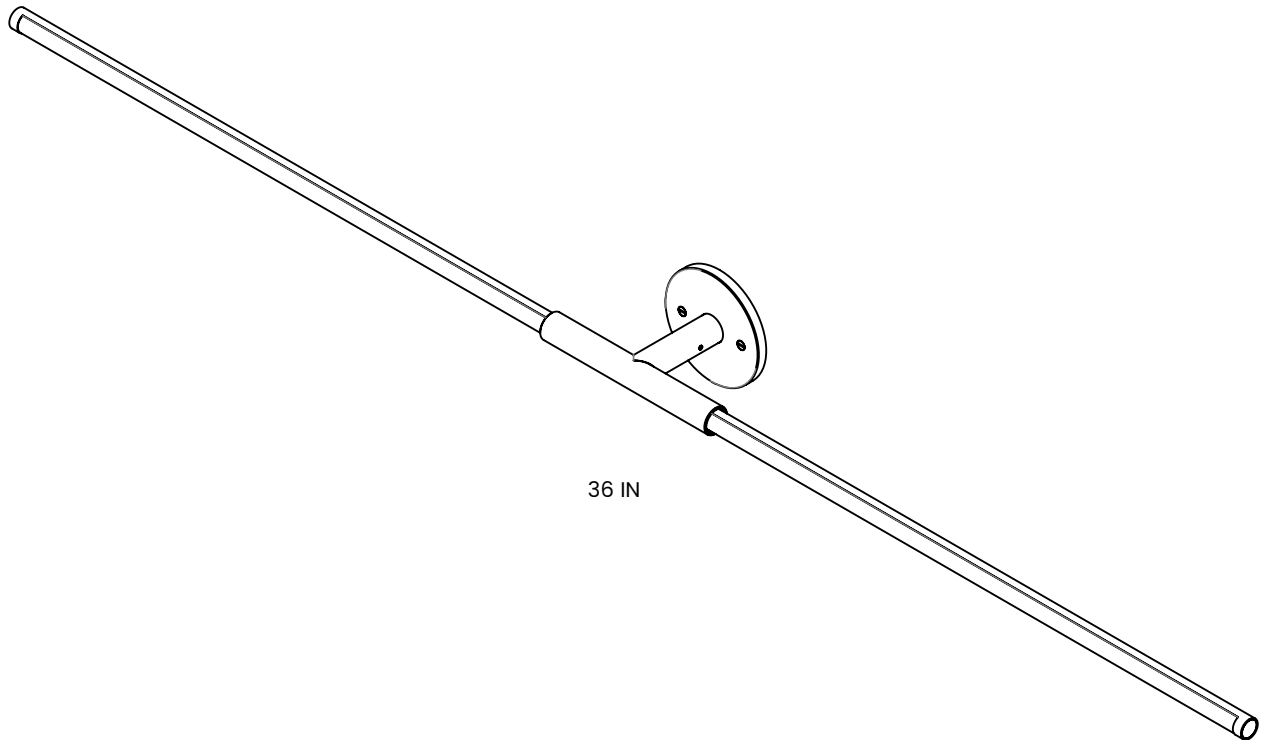
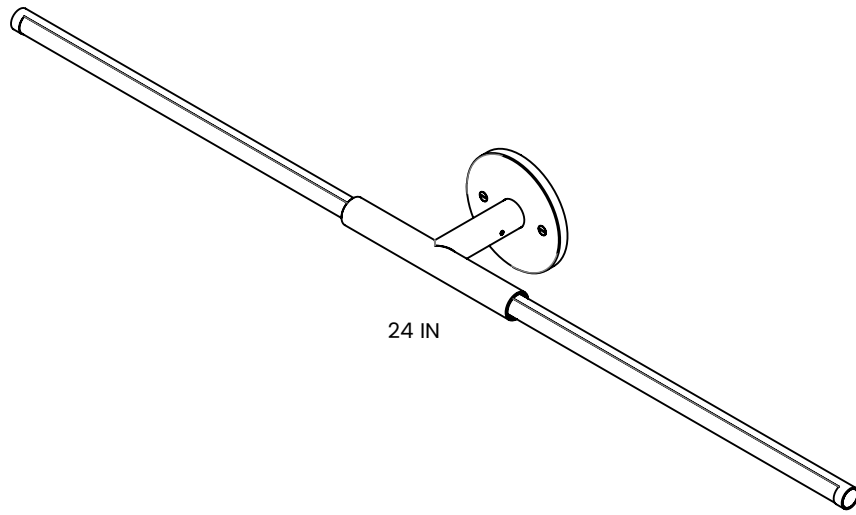


JUNIPER®

THIN RETRO FLOAT - Wall Mounted Remote Installation Guide



WARNING

**A LICENSED ELECTRICIAN SHOULD PERFORM INSTALLATION.
DISCONNECT MAIN POWER AT THE SOURCE PRIOR TO INSTALLATION.**

INSTRUCTIONS MEANT FOR A REMOTE CLASS 2 DRIVER.

STEP 1: MARK MOUNTING POINTS AND MAKE CUT-OUT

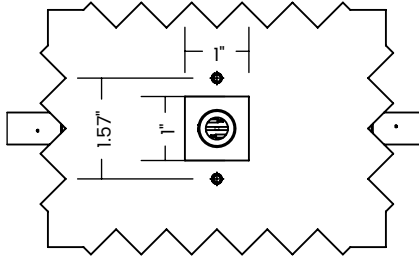


FIGURE 1

Carefully mark the mounting points with a pencil or marker, using the spacing in Figure 1. Make a cut-out no bigger than 1" x 1", between the two mounting points to receive low voltage wires from the remote LED driver.

STEP 2: INSTALLING THE FIXTURE

1

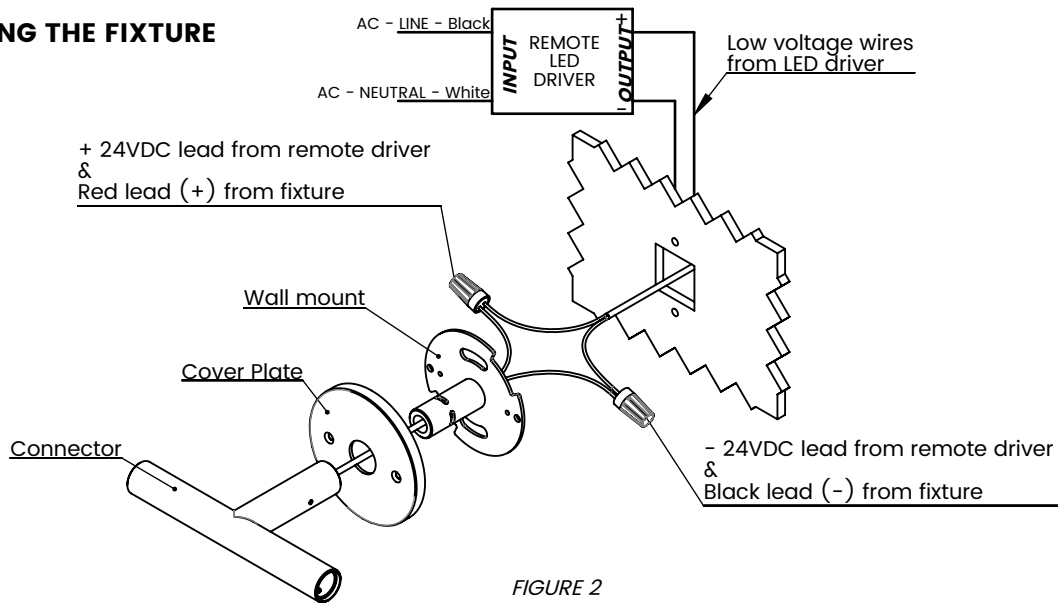


FIGURE 2

- A. Pass the wires coming out of the connector through the cover plate and wall mount as shown.
 - B. Connect the wires coming out of the connector to LED driver's output wires using provided blue/grey wire nuts as shown.
- Wires to and from the LED driver are not provided.**

2

- A. Place the connected wires inside the cut-out in the wall.
- B. Install wall mount on the wall using provided #8 wood screws.
- C. Install cover plate on wall mount using provided #4-40 flat head screws. If required, loosen the #8 wood screws on the wall mount to adjust its orientation.

Woodscrews are provided for default installation. Alternate screws may be used at the recommendation of an electrician. Blocking may be required.

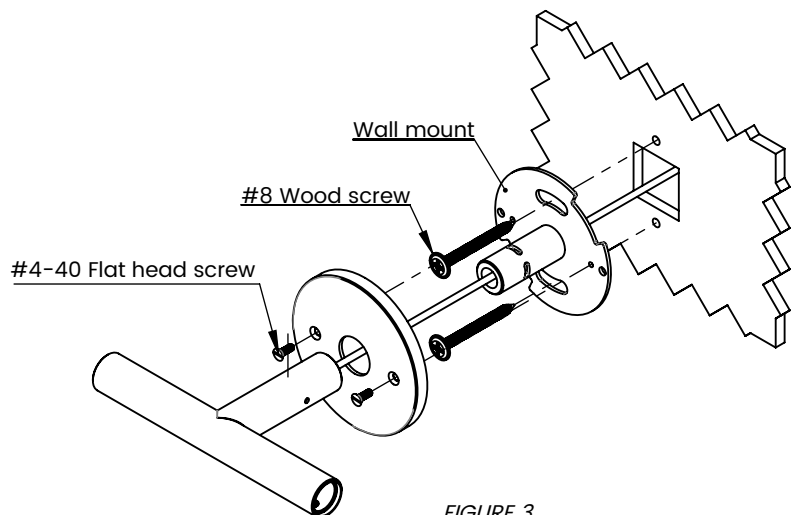
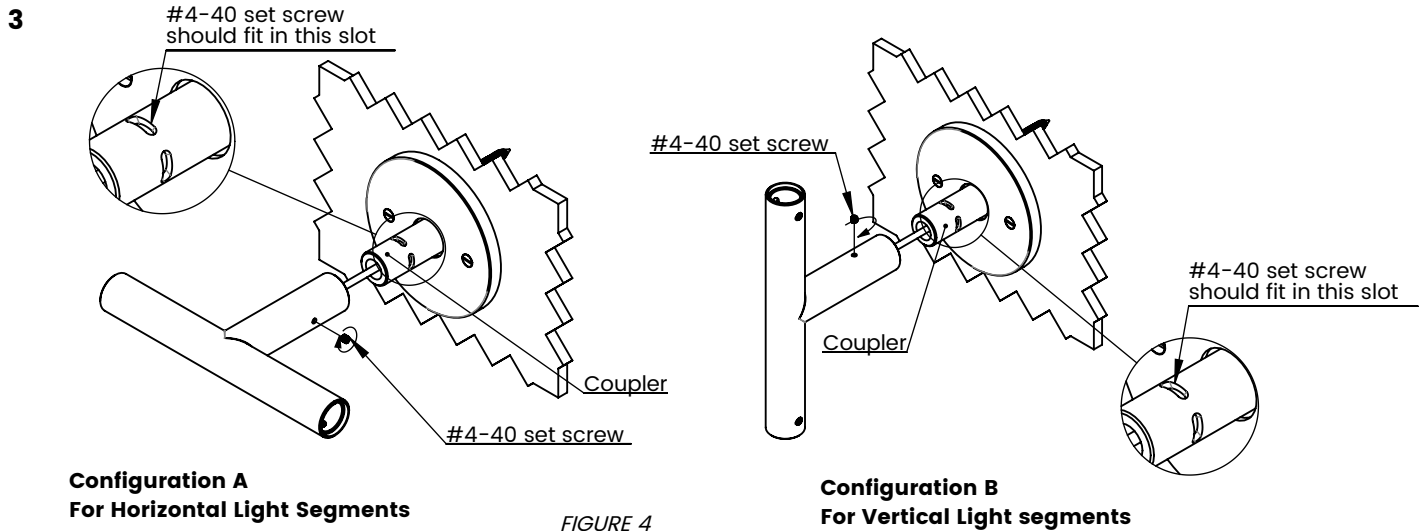


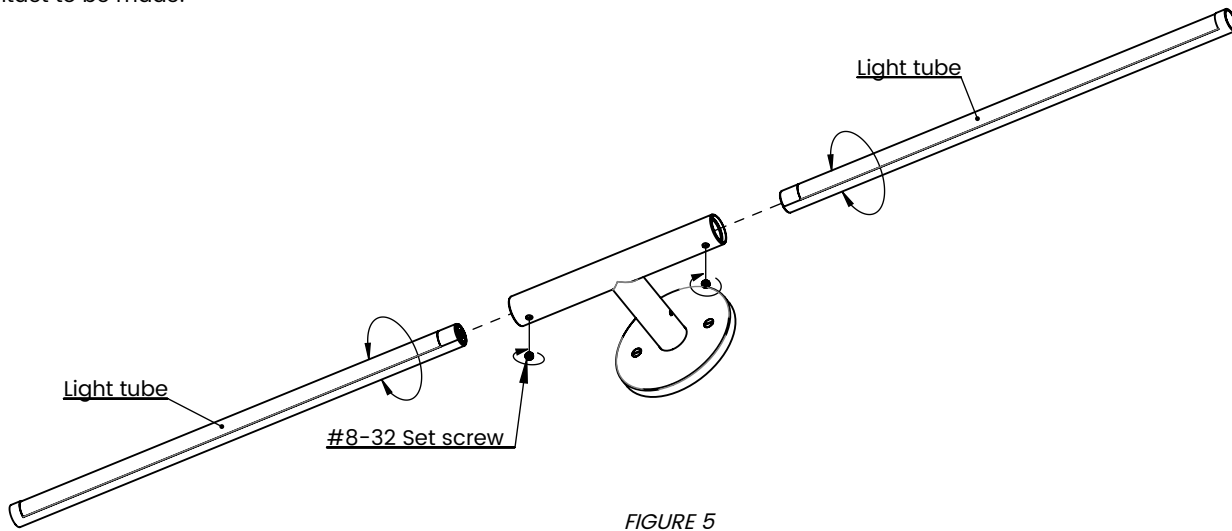
FIGURE 3



Install the connector on the coupler using provided #4-40 set screw. Connector will be oriented in either horizontal or vertical configuration. Slots on the coupler provide means to make small adjustment in connector angle. Make sure that the set screw fits inside the coupler.

STEP 3: INSTALLING LIGHT TUBE

The fixture is designed with an innovative magnetic connection. Simply insert the light tubes into the connectors for electrical contact to be made.



- A. Insert light tube into the connector.
- B. Rotate the light tube to adjust orientation.
- C. Use provided #8-32 set screw to level and lock the light tubes in place.

CARE INSTRUCTIONS

Brass will patina over time like other natural metals and regular care is required in order to retain the quality finish of your fixture for years to come.

Gently wipe with a damp cloth to remove dirt, dust, and fingerprints.

Do not use any chemical cleaning solution.

Use indoors only.