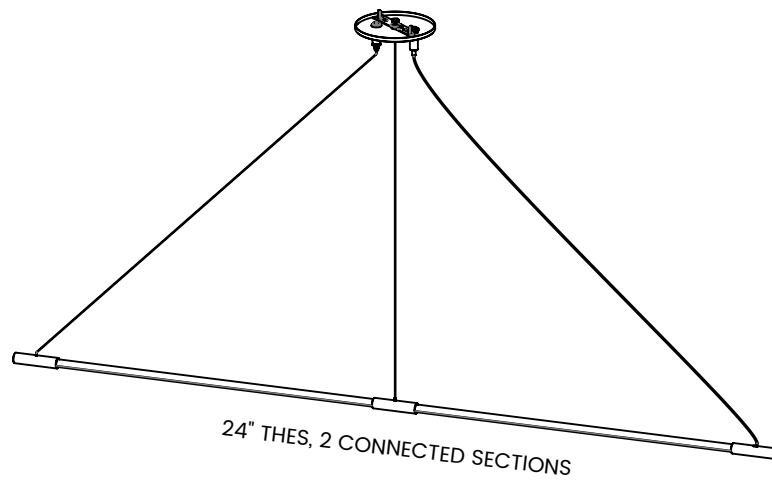
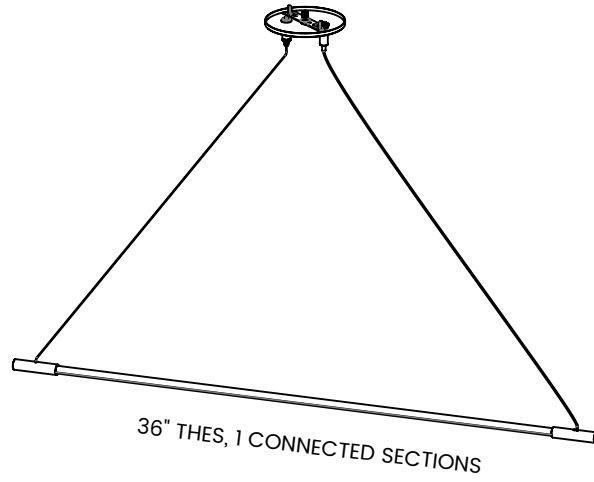


JUNIPER[®] THIN Suspension Remote Installation Guide



WARNING

**A LICENSED ELECTRICIAN SHOULD PERFORM INSTALLATION
DISCONNECT MAIN POWER AT THE SOURCE PRIOR TO INSTALLATION**

INSTRUCTIONS MEANT FOR A REMOTE CLASS 2 DRIVER.

CASE - A

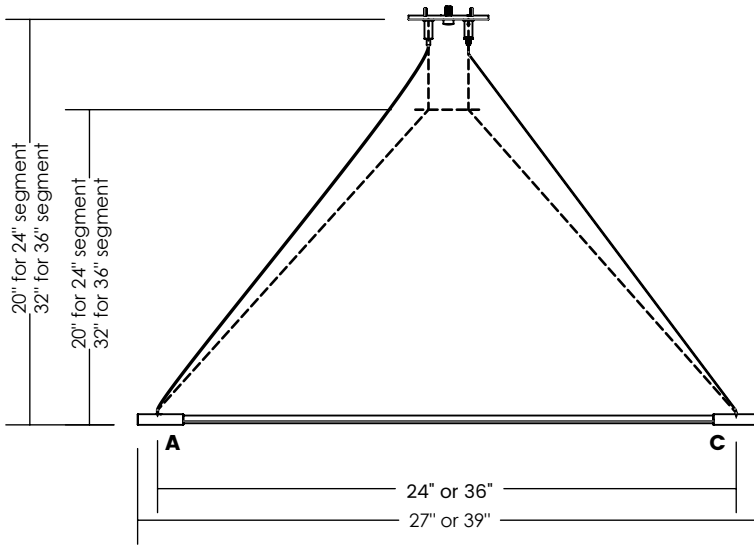


FIGURE 1

CASE - A CANOPY

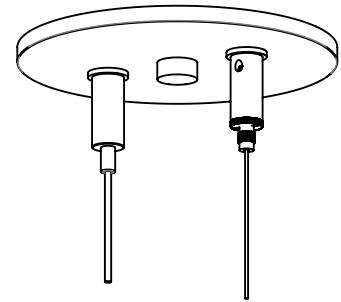


FIGURE 2

CASE - B

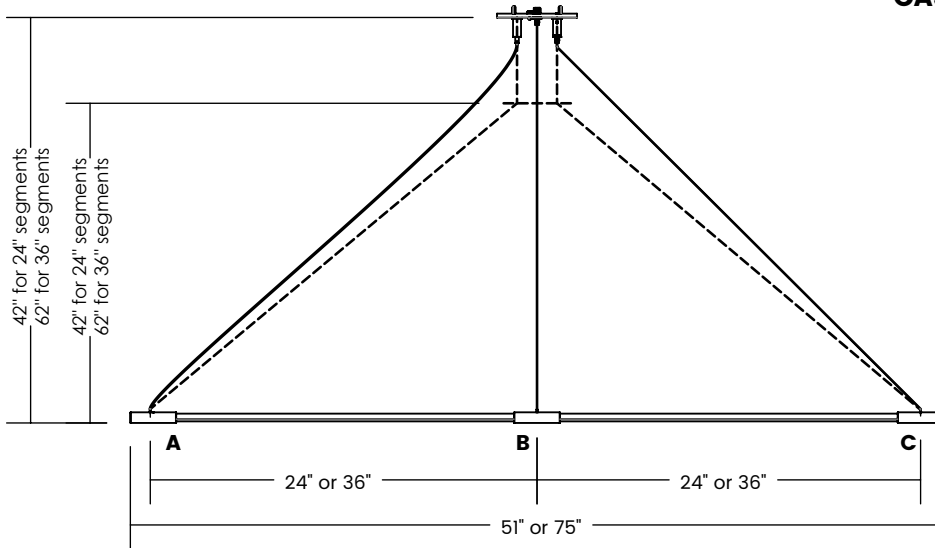


FIGURE 3

CASE - B CANOPY

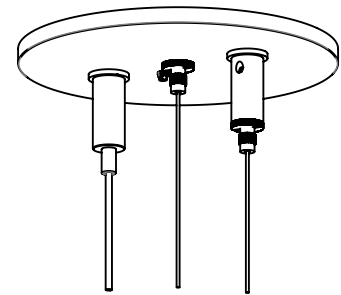


FIGURE 4

KEY

- A POWER SLEEVES** MOUNTED AT ONE END OF FIXTURE TO SUPPLY POWER.
- B PASSTHROUGH SLEEVES** USED TO CONNECT SEGMENTS TOGETHER. MOUNTED IN BETWEEN POWER SLEEVE AND END SLEEVE.
- C END SLEEVES** MOUNTED AT THE NON-POWERED END OF FIXTURE.

STEP 1: JUNCTION BOX COVER PLATE INSTALLATION INSTRUCTIONS

1 - CASE A

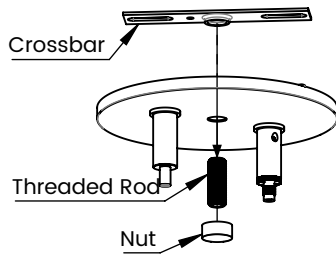


FIGURE 5

Remove nut and threaded rod from the canopy cover to release the crossbar.

1 - CASE B

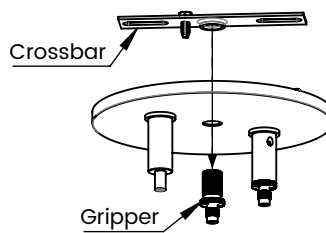


FIGURE 6

Remove gripper from the canopy cover to release the crossbar.

2

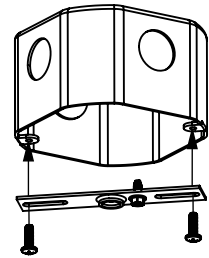


FIGURE 7

Attach the crossbar to the junction box using provided screws.

3

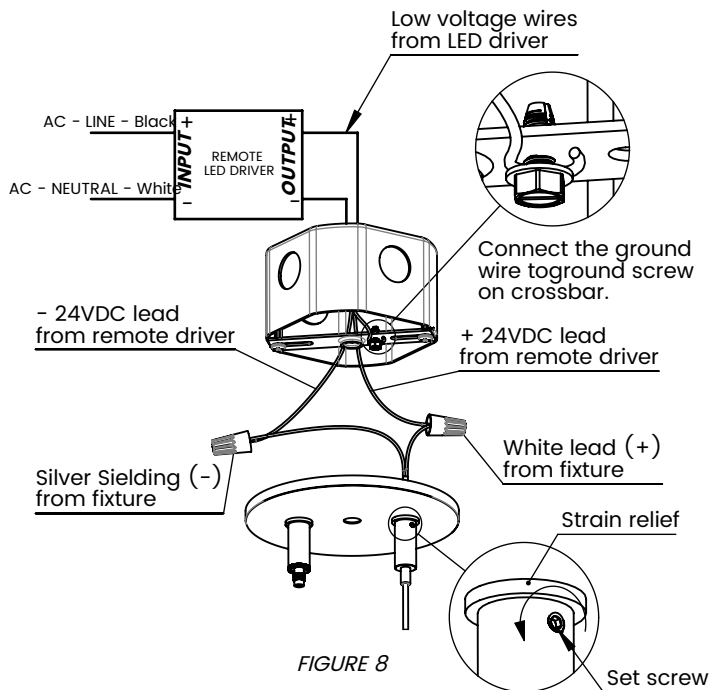


FIGURE 8

Loosen the set screw on the strain relief. Pass power cable, through strain relief as shown. Connect wires according to diagram (wire nuts provided). **Wires to and from the driver are not included.**

4 - CASE A

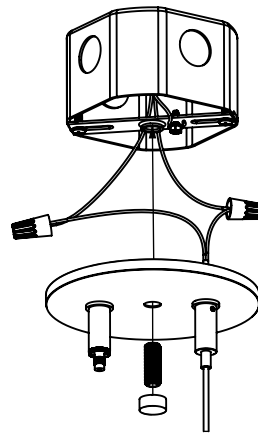


FIGURE 9

Push wires inside the junction box and screw threaded rod and nut into the crossbar to attach canopy plate to junction box.

4 - CASE B

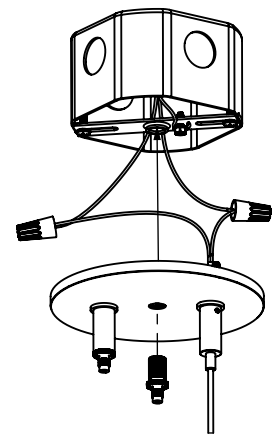


FIGURE 10

Push wires inside the junction box and screw gripper into the crossbar to attach canopy plate to junction box.

5

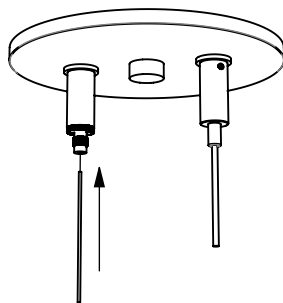


FIGURE 11

Feed aircraft cable through the grippers as shown above.

6

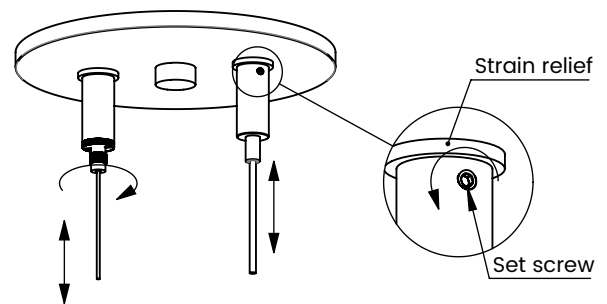


FIGURE 12

Adjust aircraft and power cable length as needed. Press safety nut on gripper to loosen aircraft cable. Tighten safety nut on gripper and set screw on strain relief completely when finished. **Do not cut extra aircraft cable until full fixture is assembled and desired suspension height is achieved.**

STEP 2: LIGHT TUBE INSTALLATIONS

The THIN Suspension fixture is designed with an innovative magnetic connection. Simply insert the light tubes into their sleeves for electrical contact to be made. **To ensure that the light segments are level, use of a laser level is highly recommended.**

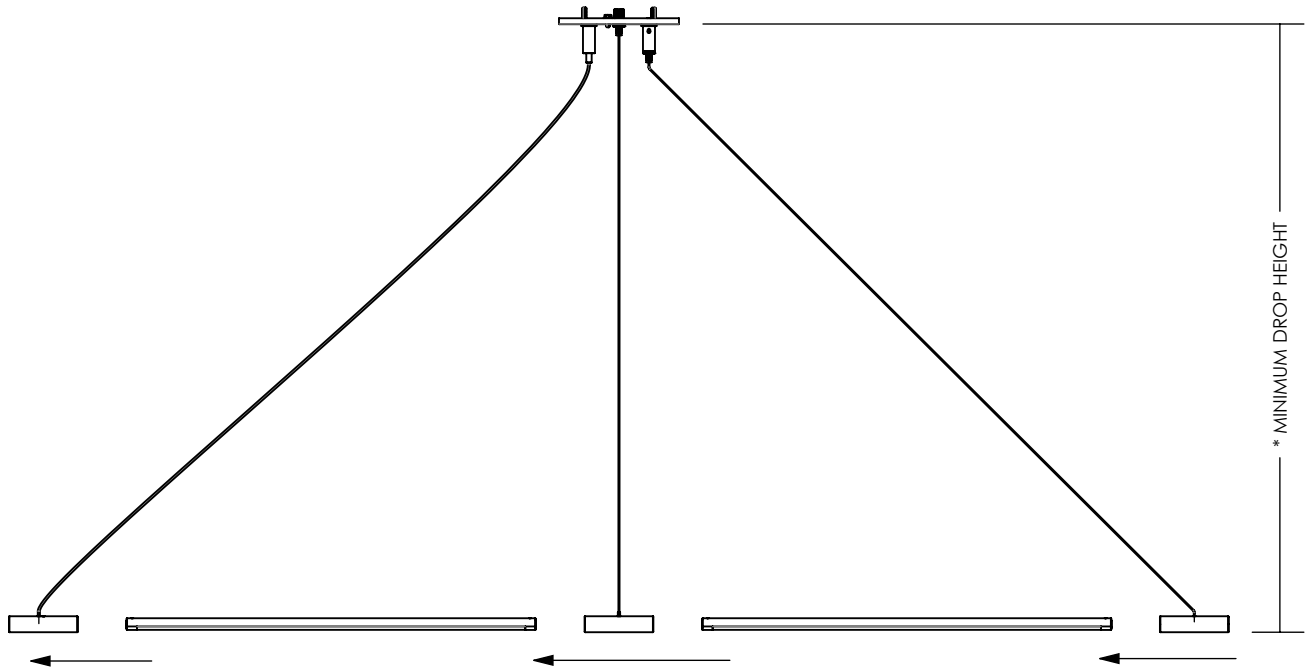


FIGURE 13

*** MINIMUM DROP HEIGHT**

- (1) 24" Segment : 20" Minimum drop height
- (1) 36" Segment : 32" Minimum drop height
- (2) 24" Segment : 42" Minimum drop height
- (2) 36" Segment : 62" Minimum drop height

1. Drop the fixture's suspension height to meet the minimum requirement shown in Figure 13 to avoid damaging the light tubes.
2. Reconnect main power and insert light tubes into the power end. Push light tubes in carefully until they illuminate.
3. Push following passthrough sleeve onto illuminated light tubes. Add light tubes and sleeves as needed according to your segment configuration.
4. Slide the end sleeve onto the last set of light tubes.

CARE INSTRUCTIONS

Brass will patina over time like other natural metals and regular care is required in order to retain the quality finish of your THIN fixture for years to come.

Gently wipe with a damp cloth to remove dirt, dust, and fingerprints.

Do not use any chemical cleaning solution.

Use indoors only.

STEP 3: INSTALLING CABLE COLLAR (OPTIONAL)

1. Drop the fixture's suspension height to meet the minimum requirement shown in Figure 14 to avoid damaging the light tubes.
2. Install the cable collar as shown in Figure 15.

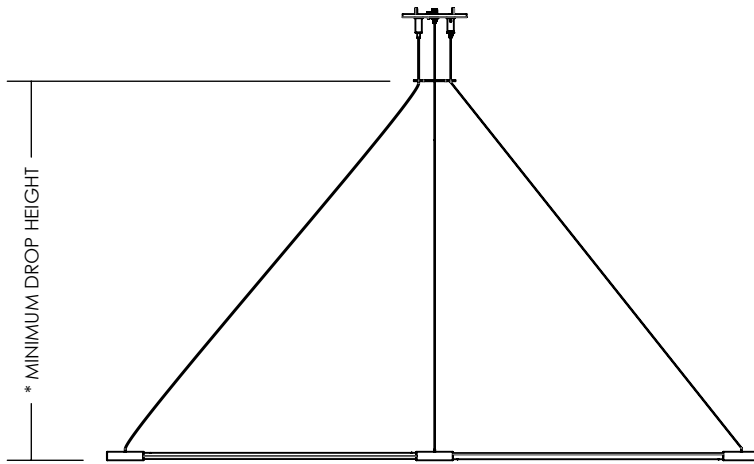


FIGURE 14

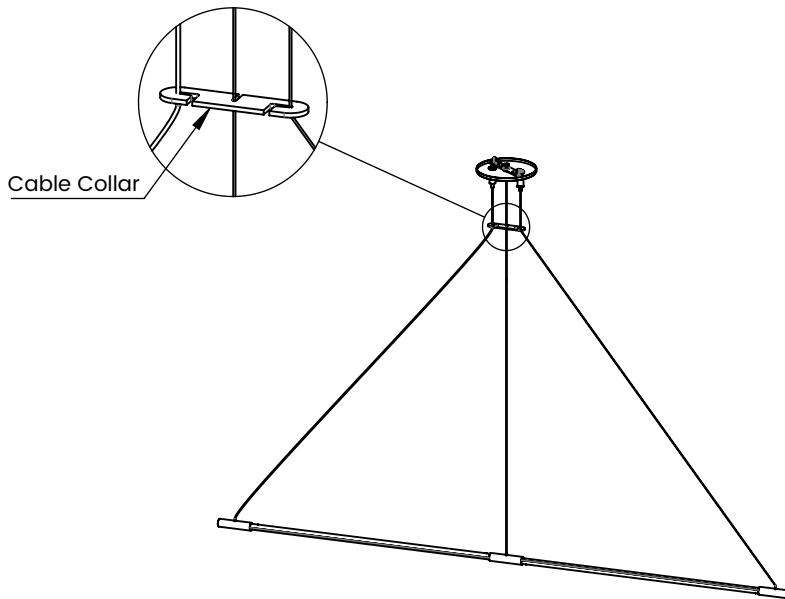


FIGURE 15

*** MINIMUM DROP HEIGHT**

- (1) 24" Segment : 20" Minimum drop height
- (1) 36" Segment : 32" Minimum drop height
- (2) 24" Segment : 42" Minimum drop height
- (2) 36" Segment : 62" Minimum drop height