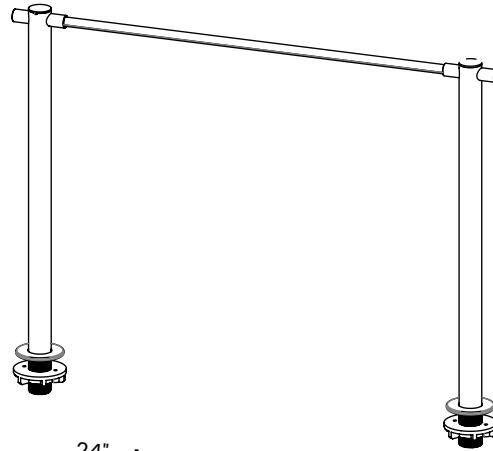
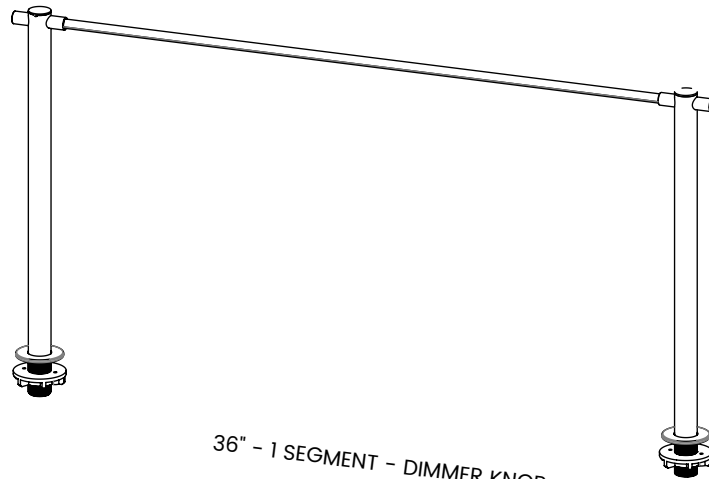


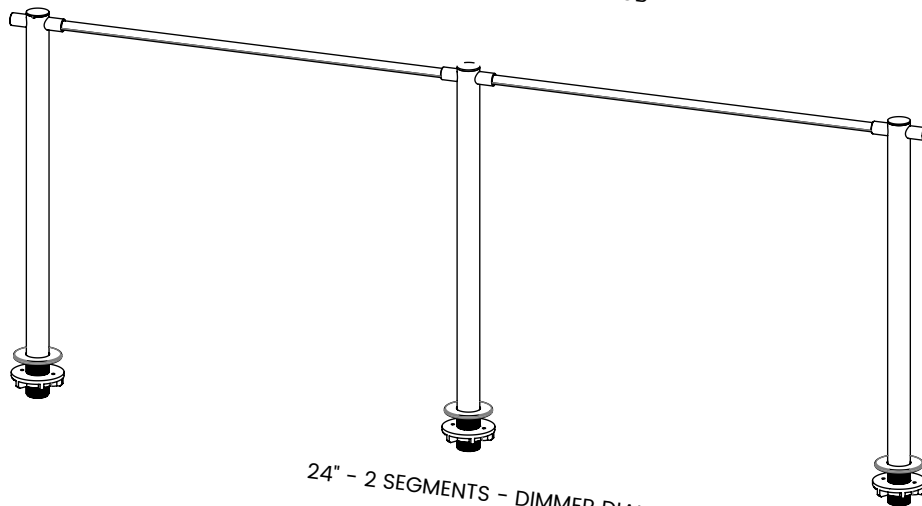
JUNIPER[®] THIN Shared Task Lamp Installation Guide



24" - 1 SEGMENT - TOGGLE SWITCH



36" - 1 SEGMENT - DIMMER KNOB



24" - 2 SEGMENTS - DIMMER DIAL

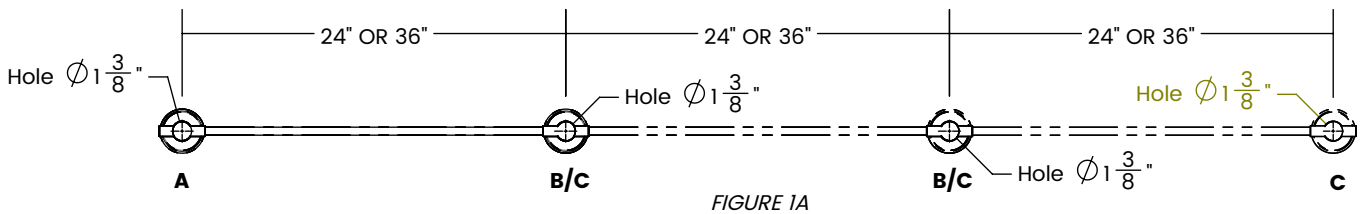
WARNING

A LICENSED ELECTRICIAN SHOULD PERFORM INSTALLATION. DISCONNECT MAIN POWER AT THE SOURCE PRIOR TO INSTALLATION.

INSTRUCTIONS MEANT FOR (2) REMOTE CLASS 2 DRIVERS.

STEP 1: MARK MOUNTING POINTS AND DRILL HOLES

Carefully mark the mounting points with a pencil or marker, using the spacing in Figure 1. Drill holes in the mounting surface. Diameters of holes to be drilled are shown in Figure 1. **It is highly recommended to use a laser alignment/ measuring tool to ensure that mounting parts are properly distanced and fall on a straight line. Maximum thickness of mounting surface can be 1-3/8".**



KEY

- A POWER STANDOFF** MOUNTED AT THE POWERED END OF THE FIXTURE.
- B PASSTHROUGH STANDOFF** USED TO CONNECT SEGMENTS TOGETHER. MOUNTED IN BETWEEN POWER SLEEVES AND END STANDOFFS.
- C END STANDOFF** MOUNTED AT THE NON-POWERED END OF THE FIXTURE.

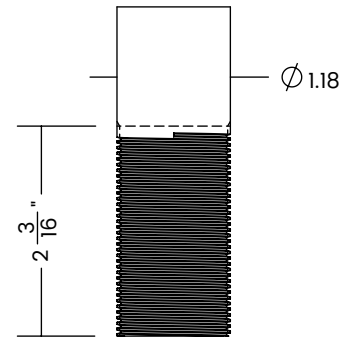


FIGURE 1B

Standoff and thread dimensions

STEP 2: FIXTURE INSTALLATION

1

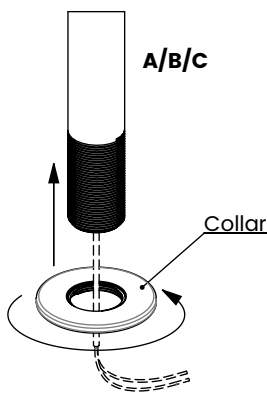


FIGURE 2

Screw collars to all standoffs.

2

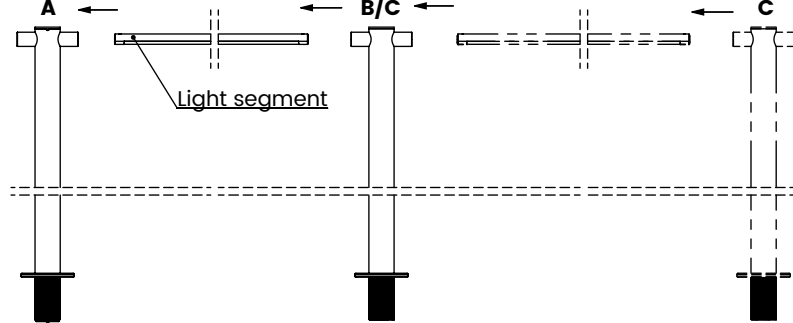


FIGURE 3

Insert the ends of the light segment in the standoffs to make electrical contact.

3

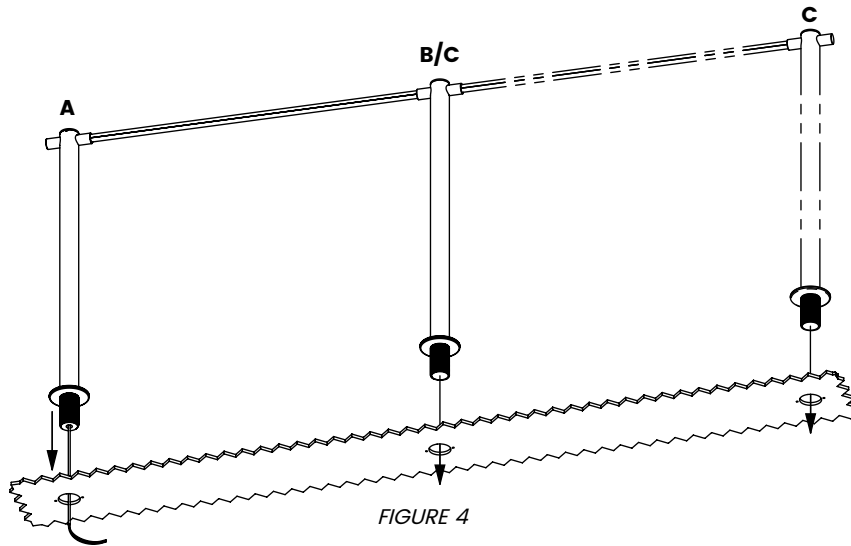


FIGURE 4

Place the light fixture assembly into the allocated holes.

4

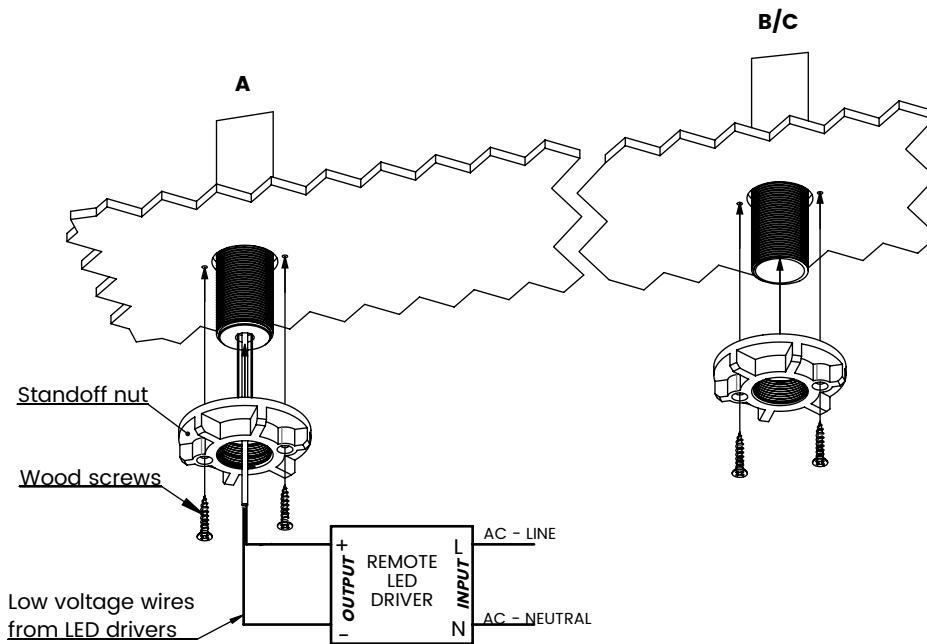


FIGURE 5

Screw the provided plastic nuts on the standoffs and grommet.

OPTIONAL INSTRUCTION: Use provided wood screws to secure the standoffs in place. **Do not use provided wood screws if the thickness of mounting surface is less than 1". Use #8 screws shorter than the thickness of mounting surface if needed.**

Connect wires coming out of the power standoff to remotely located LED driver as shown.

CARE INSTRUCTIONS

Brass will patina over time like other natural metals and regular care is required in order to retain the quality finish of your THIN fixture for years to come.

Gently wipe with a damp cloth to remove dirt, dust, and fingerprints.

Do not use any chemical cleaning solution.

Use indoors only.