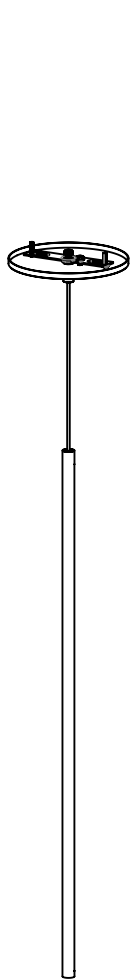
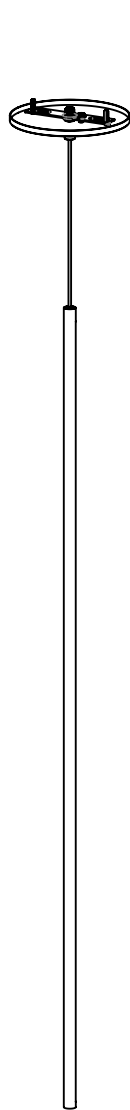


JUNIPER®

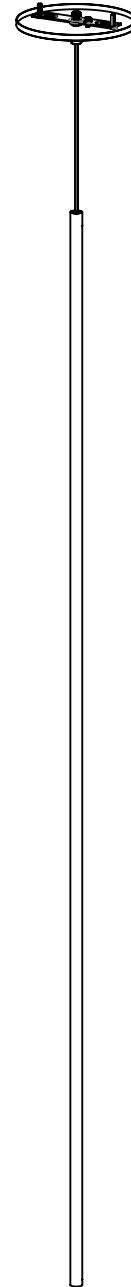
THIN Vertical Suspension Remote Installation Guide



24" LIGHT TUBE



36" LIGHT TUBE



48" LIGHT TUBE

WARNING

**A LICENSED ELECTRICIAN SHOULD PERFORM INSTALLATION.
DISCONNECT MAIN POWER AT THE SOURCE PRIOR TO INSTALLATION.**

INSTRUCTIONS MEANT FOR A REMOTE CLASS 2 DRIVER.

POWER FEED OPTIONS

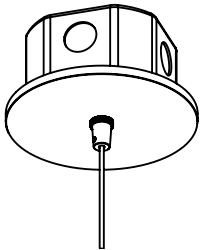


FIGURE 1

CANOPY PLATE

FOR FIXTURES WIRED TO A JUNCTION BOX.

SEE **STEP 1A** FOR DETAILED INSTALLATION AND WIRING INFORMATION.

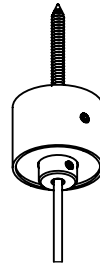


FIGURE 2

MINI CANOPY

FOR FIXTURE MOUNTING DIRECTLY TO THE CEILING.

SEE **STEP 1B** FOR DETAILED INSTALLATION AND WIRING INFORMATION.

STEP 1A: JUNCTION BOX COVER PLATE INSTALLATION INSTRUCTIONS

1

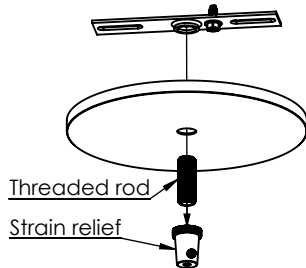


FIGURE 3

Remove strain relief and threaded rod from the canopy cover to release the crossbar.

2

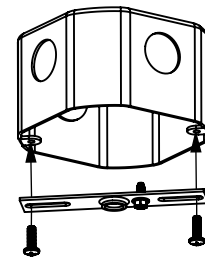


FIGURE 4

Attach the crossbar to the junction box using provided screws.

3

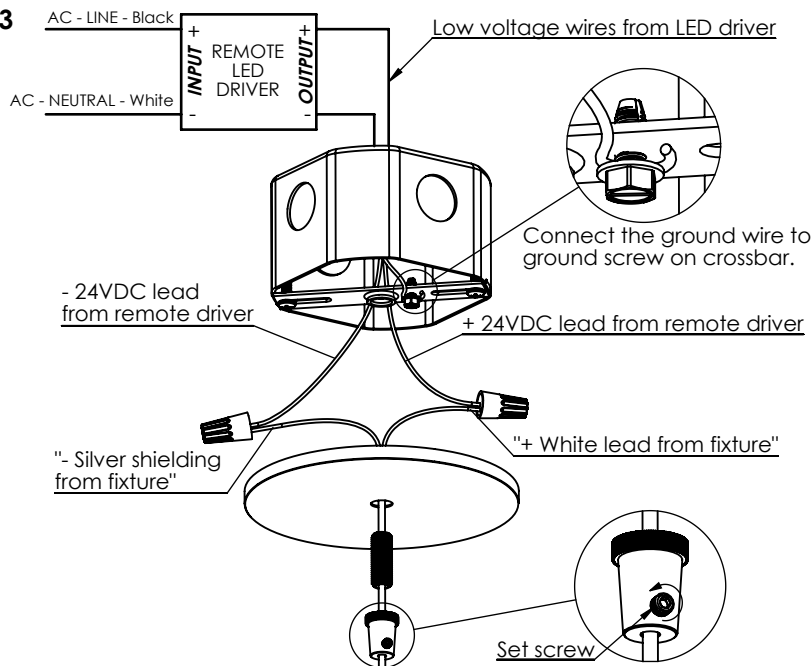


FIGURE 5

Loosen the set screw on the strain relief. Pass power cable, through threaded rod and strain relief as shown. Connect wires according to diagram (wire nuts provided). **Wires to and from the driver are not included.**

4

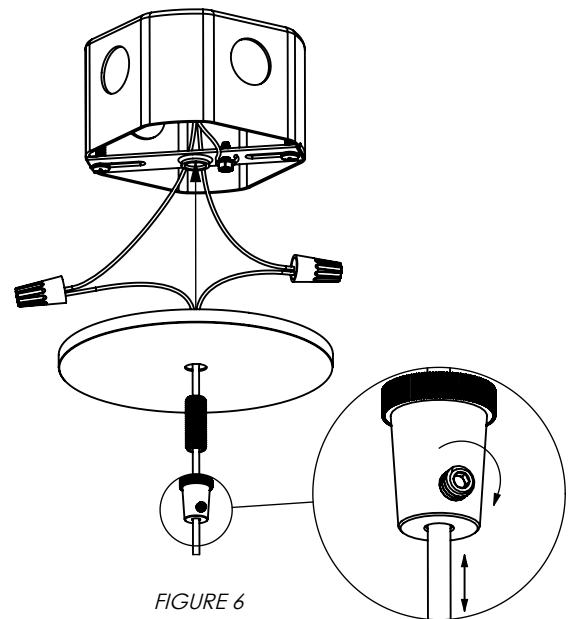


FIGURE 6

Push wires inside the junction box and screw threaded rod and strain relief into crossbar to attach canopy plate to junction box. **Length of power cord should be adjusted for desired suspension height. Tighten the screw on the strain relief after adjustment.**

STEP 1B: MINI CANOPY INSTALLATION INSTRUCTIONS

1

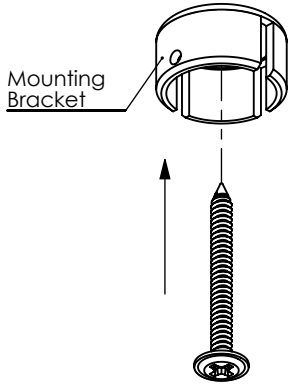


FIGURE 7

Install mounting bracket using provided screw.

2

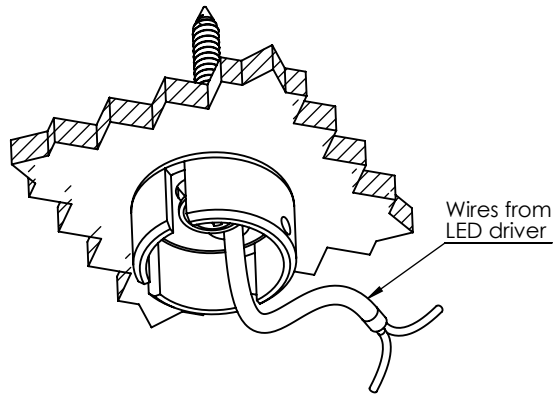


FIGURE 8

Drill a hole through the mounting bracket slot using a 1/8" drill bit, which will be used to receive low voltage wires from remotely located LED driver.

3

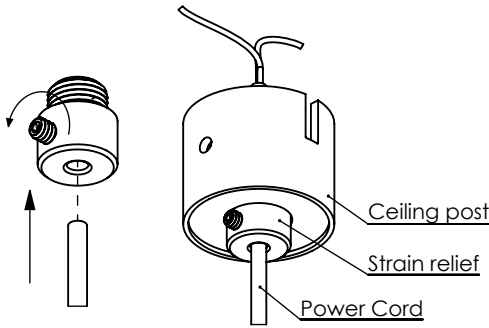


FIGURE 9

Loosen the set screw on the strain relief. Pass power cable, through strain relief as shown.

4

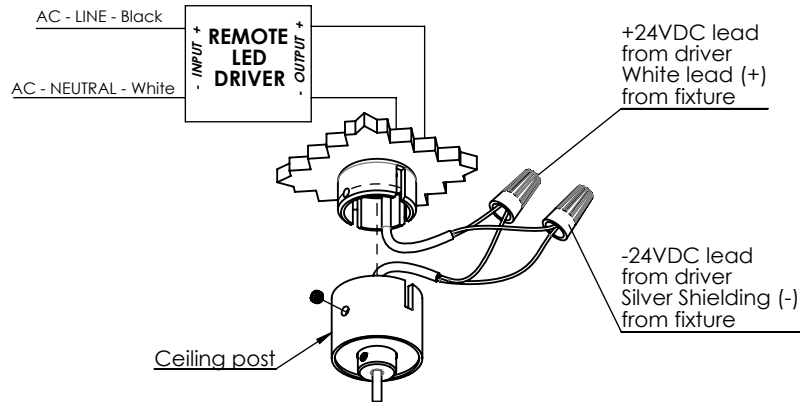


FIGURE 10

Connect wires using provided wire nuts and push the wires along with the wire nuts into the ceiling post. Attach ceiling post to mounting bracket using provided set screw. **Length of power cord should be adjusted for desired suspension height. Tighten the screw on the strain relief after adjustment. Wires to and from the driver are not included.**

CARE INSTRUCTIONS

Brass will patina over time like other natural metals and regular care is required in order to retain the quality finish of your THIN fixture for years to come.

Gently wipe with a damp cloth to remove dirt, dust, and fingerprints.

Do not use any chemical cleaning solution.

Use indoors only.