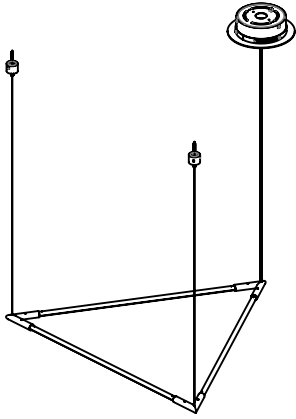
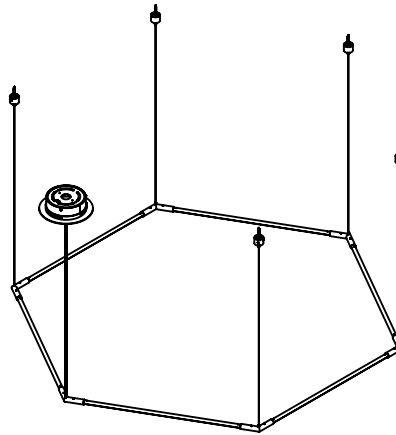


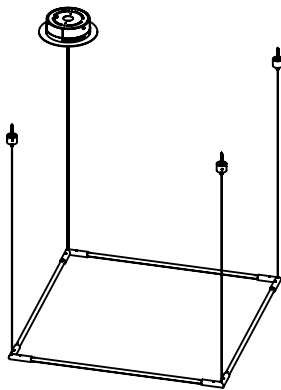
JUNIPER[®] THIN Primaries Suspension Local Installation Guide



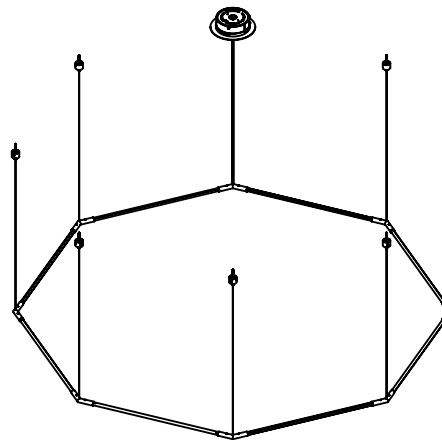
24" TRIANGLE



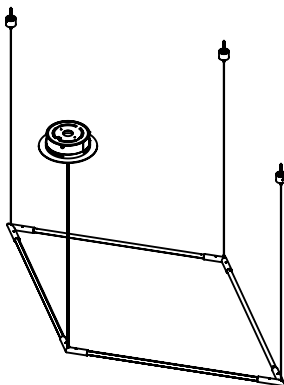
24" HEXAGON



24" SQUARE



24" OCTAGON



24" RHOMBUS

SHOWN ARE EXAMPLES OF CONFIGURATION POSSIBILITIES. SPECIFIC FIXTURE CONFIGURATION MAY VARY.

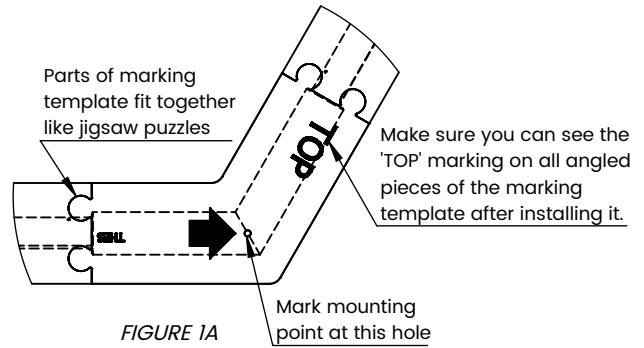
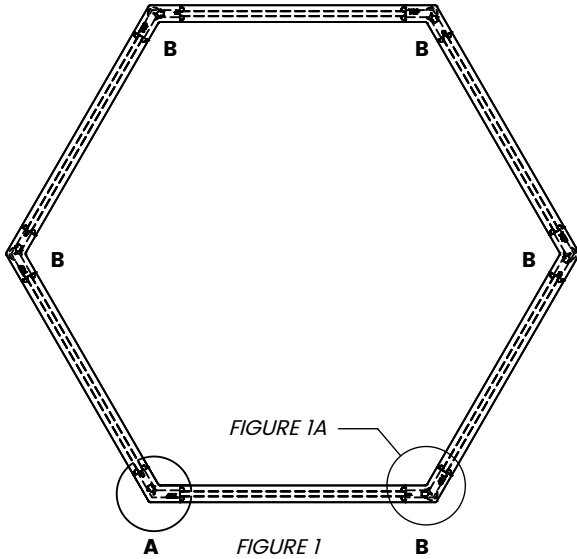
WARNING

A LICENSED ELECTRICIAN SHOULD PERFORM INSTALLATION. DISCONNECT MAIN POWER AT THE SOURCE PRIOR TO INSTALLATION.

INSTRUCTIONS MEANT FOR A LOCAL CLASS 2 DRIVER.

STEP 1: MARK MOUNTING POINTS

Carefully mark the mounting points with a pencil or marker, using the spacing in Figure 1. Slots on provided mounting brackets ensure that mounting points are properly distance and fall on a straight line.



KEY

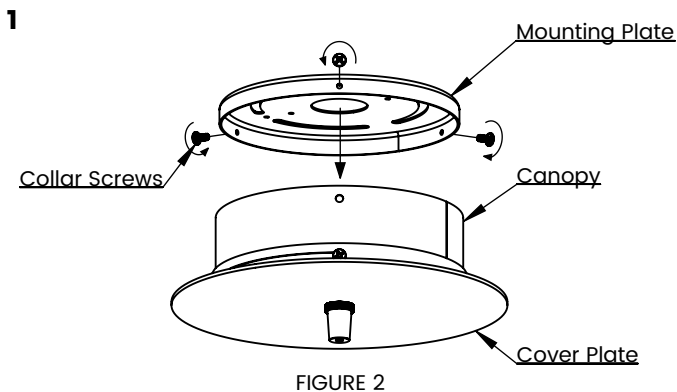
A POWER SLEEVES MOUNTED BENEATH CANOPY PLATE OR MINI MOUNTING PLATE (SEE POWER FEED OPTIONS).*

B PASSTHROUGH SLEEVES USED TO CONNECT SEGMENTS TOGETHER. MOUNTED AT ALL NON POWERED CORNERS OF THE FIXTURE

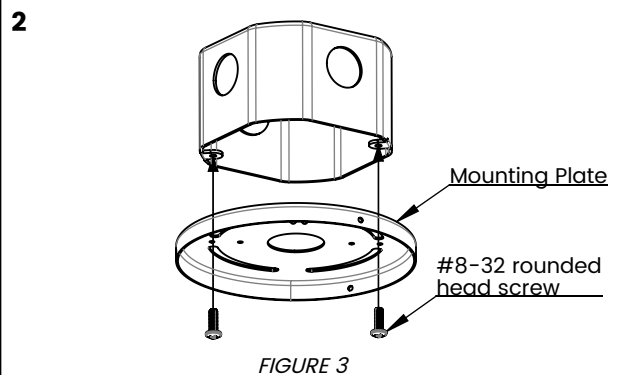
Assemble the marking template in the shape of your fixture to mark mounting points.

1. For flat ceiling, install the marking templates directly on the ceiling.
2. For sloped ceiling, assemble the marking template on the floor and place laser pointers on the mounting point holes to project them onto the sloped ceiling.

STEP 2: JUNCTION BOX COVER PLATE INSTALLATION INSTRUCTIONS



Remove Screws from the canopy assembly to release the mounting plate. Cover plate can be rotated by loosening the collar screw.



Attach the mounting plate to the Junction box using provided screws.

3

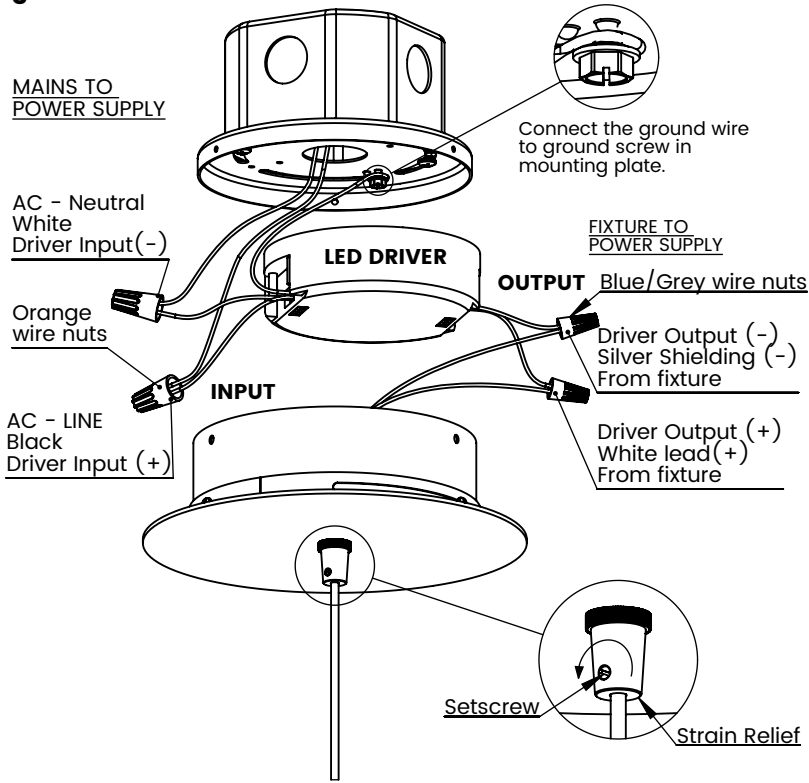


FIGURE 4

Loosen the set screw on the strain relief. Pass power cable through the strain relief as shown. Connect wires according to diagram (wires nuts provided). **Length of power cord should be adjusted for desired suspension height. AC wires to driver are not provided. Tighten the setscrew on strain relief after adjustment.**

4

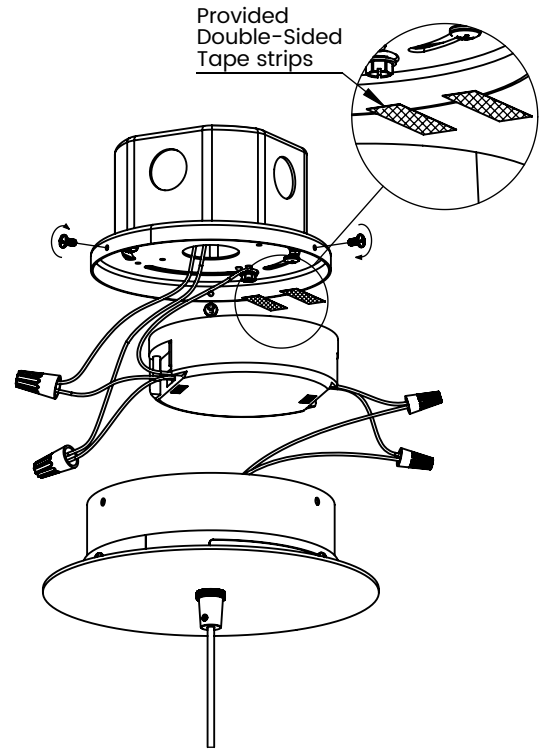


FIGURE 5

- A. Attach LED Driver to mounting plate using provided double-sided tape strips.
- B. Place wires inside canopy and attach the canopy to mounting plate using screws removed during first instruction.

5

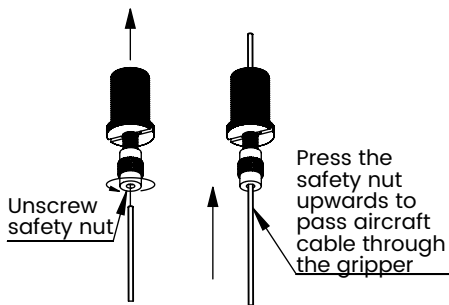


FIGURE 6

Partly loosen safety nut on cable gripper. Feed aircraft cable through the gripper. Do this for all aircraft cable ends.

6

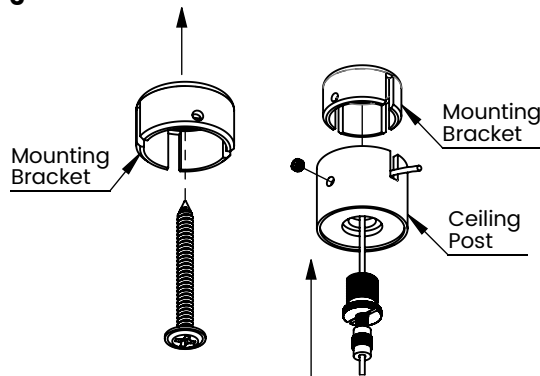


FIGURE 7

Install mounting brackets at all B and C mounting points using provided wood screws. Pass the extra aircraft cable through the slot in ceiling post and screw gripper into ceiling post. Attach ceiling post to mounting bracket using provided set screw.

Alternate screws may be used at the recommendation of an electrician.

Use the slot on mounting bracket to make finer adjustment to mounting positions.

7

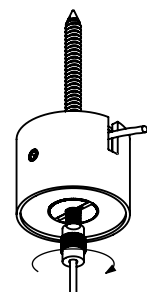


FIGURE 8

Adjust aircraft cable length as needed. Press safety nut on gripper to loosen aircraft cable. Tighten safety nut in completely when finished. **Do not cut extra aircraft cable until full fixture is assembled and desired suspension height is achieved.**

STEP 3: LIGHT TUBE INSTALLATIONS

NOTE: Figure 15 shows TRIANGLE as an example. Please install the correct number of light tubes according to your fixture's configuration. The instructions below are same for all PRIMARIES.

The THIN Suspension fixture is designed with an innovative magnetic connection. Simply insert the light tubes into their sleeves for electrical contact to be made. **To ensure that the light segments are level, use of a laser level is highly recommended.**

1. Reconnect main power and insert light tubes into the power end. Push light tubes in carefully until they illuminate.
2. Push following passthrough sleeve onto illuminated light tubes. Add light tubes and sleeves as needed according to your segment configuration.

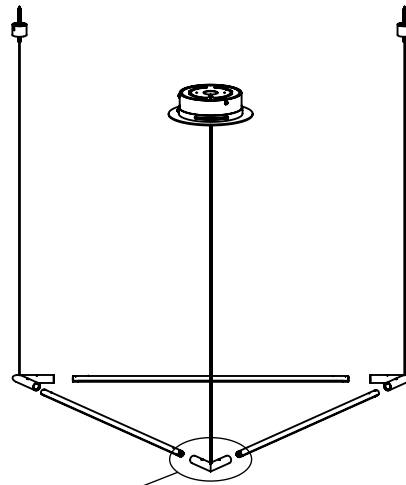
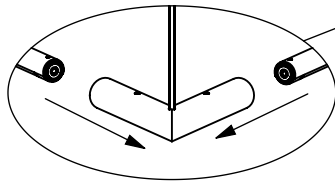


FIGURE 9



CARE INSTRUCTIONS

Brass will patina over time like other natural metals and regular care is required in order to retain the quality finish of your THIN fixture for years to come.

Gently wipe with a damp cloth to remove dirt, dust, and fingerprints.

Do not use any chemical cleaning solution.

Use indoors only.