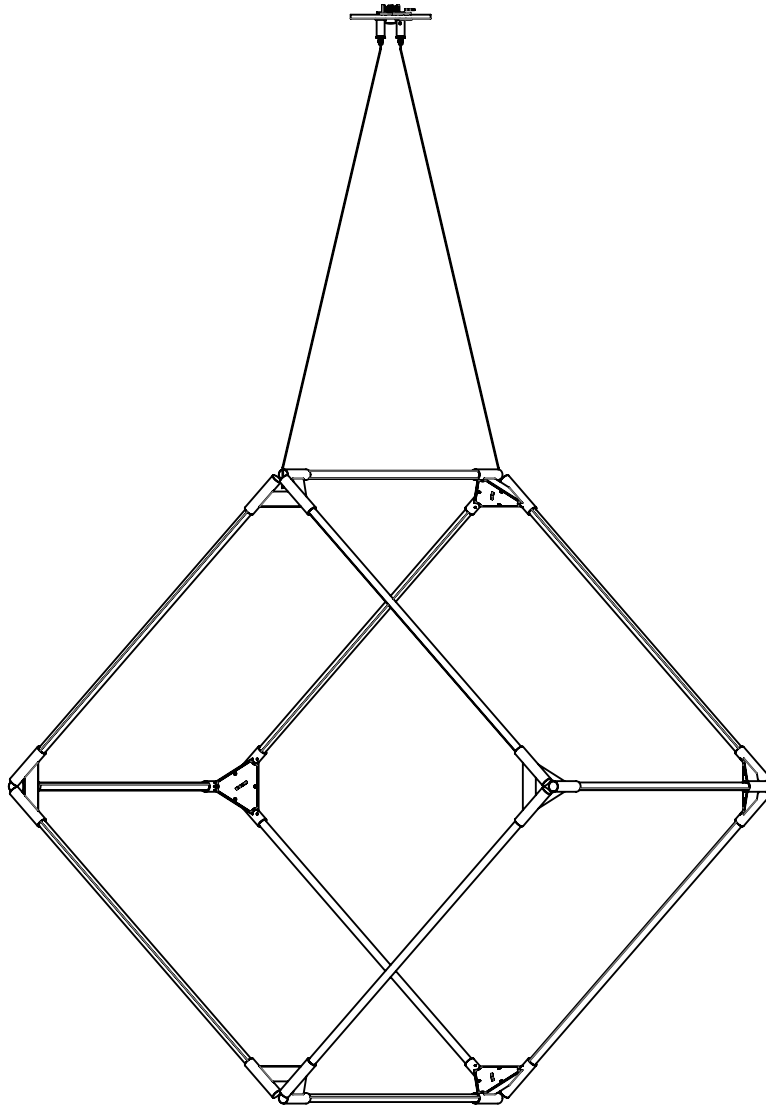


JUNIPER[®] THIN Solids Suspension Remote Installation Guide



24" CUBE

WARNING

**A LICENSED ELECTRICIAN SHOULD PERFORM INSTALLATION.
DISCONNECT MAIN POWER AT THE SOURCE PRIOR TO INSTALLATION.**

INSTRUCTIONS MEANT FOR A REMOTE CLASS 2 DRIVER.

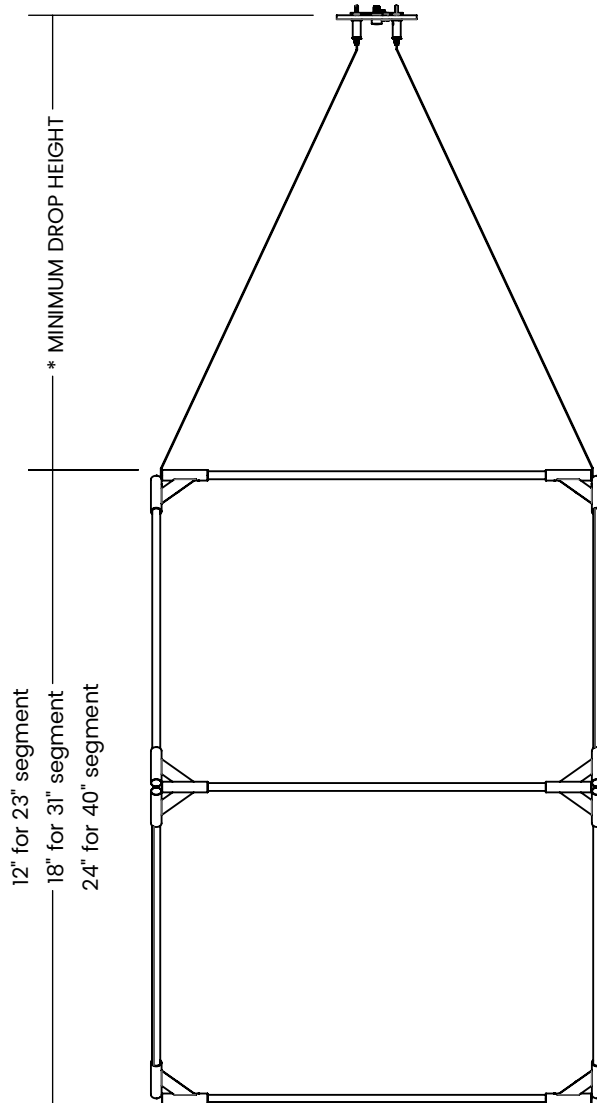


FIGURE 1

*** MINIMUM DROP HEIGHT**

- 12" Segment : 12" Minimum drop height
- 18" Segment : 17" Minimum drop height
- 24" Segment : 22" Minimum drop height

STEP 1: JUNCTION BOX COVER PLATE INSTALLATION INSTRUCTIONS

1

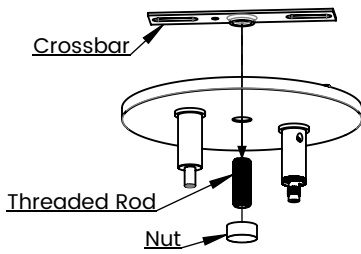


FIGURE 2

Remove nut and threaded rod from the canopy cover to release the crossbar.

3

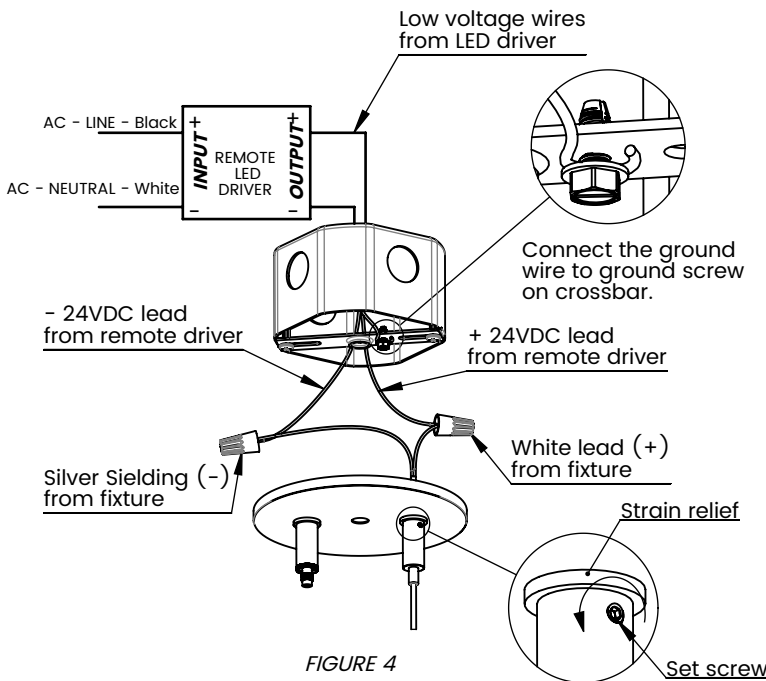


FIGURE 4

Loosen the set screw on the strain relief. Pass power cable through strain relief as shown. Connect wires according to diagram (wire nuts provided). **Wires to and from the driver are not included.**

2

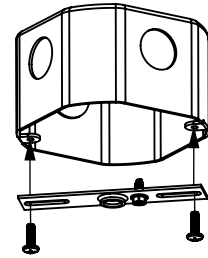


FIGURE 3

Attach the crossbar to the junction box using provided screws.

4

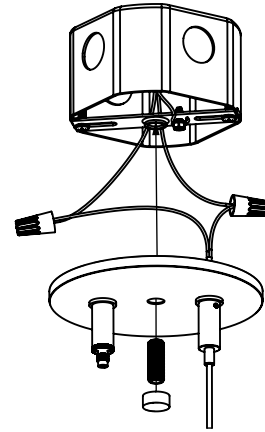


FIGURE 5

Push wires inside the junction box and screw threaded rod and nut into the crossbar to attach canopy plate to junction box.

5

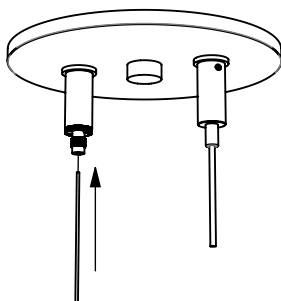


FIGURE 6

Feed aircraft cable through the grippers as shown above.

6

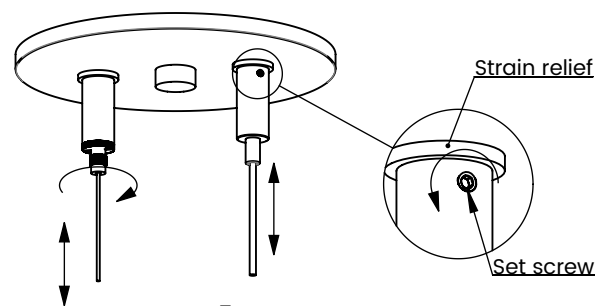


FIGURE 7

Adjust aircraft and power cable length as needed. Press safety nut on gripper to loosen aircraft cable. Tighten safety nut on gripper and set screw on strain relief completely when finished. **Do not cut extra aircraft cable until full fixture is assembled and desired suspension height is achieved.**

STEP 2: LIGHT TUBE INSTALLATION

1. Loosen the set screw on the connectors as shown
2. Insert the first light tube into the connectors and **tighten the set screws on the connectors** as shown in figure 8.
3. Repeat the above instructions to install light tubes subsequently.

Do not install the lower light tubes without tightening the set screws on the upper light tubes.

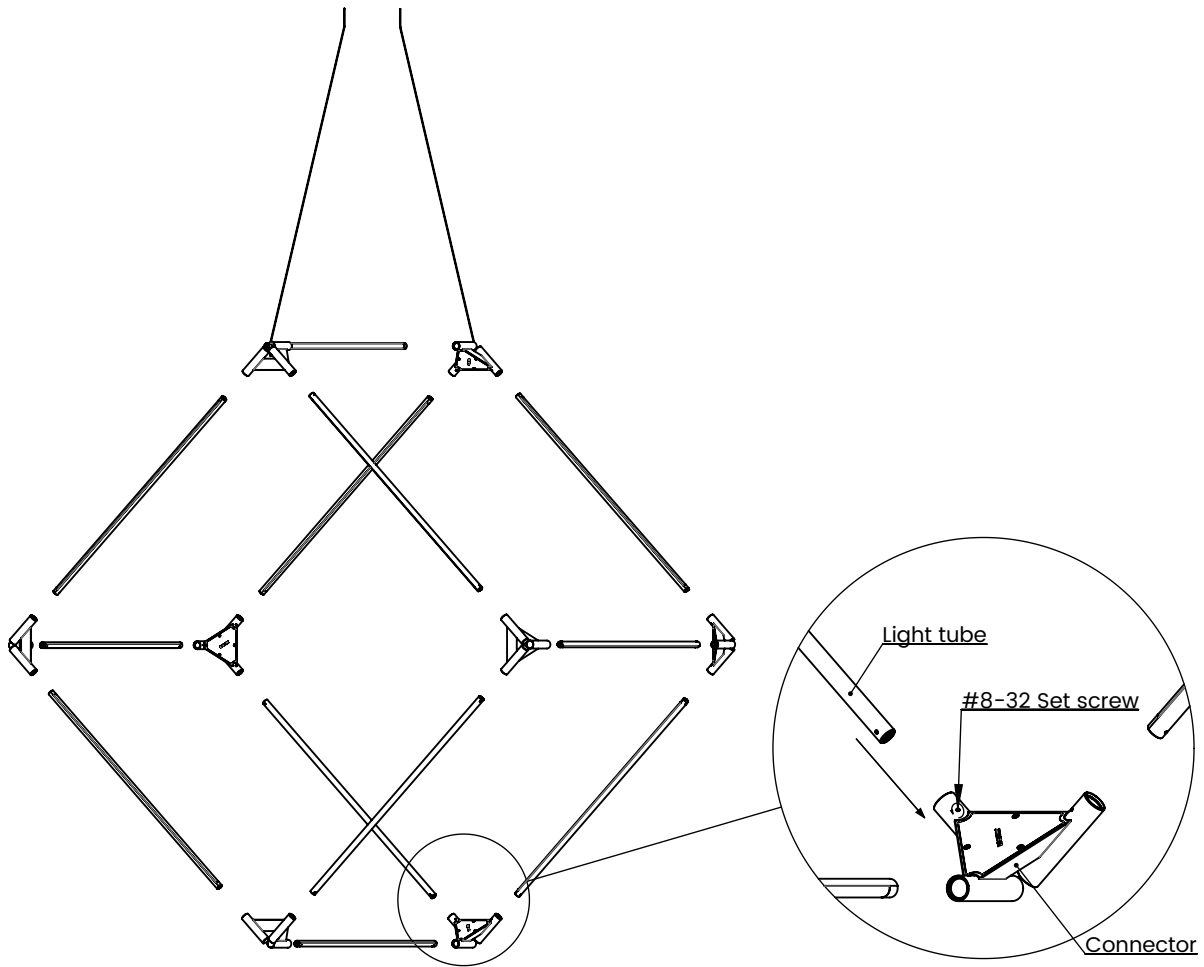


FIGURE 8

STEP 3: ADJUSTING THE LIGHT TUBES

1. Loosen the set screw on the connectors as shown.
Do not loosen set screws on all connectors simultaneously. Adjust only one light tube at a time.
2. Rotate the light tube to change the direction of the light.
3. Tighten the set screws on the connector.

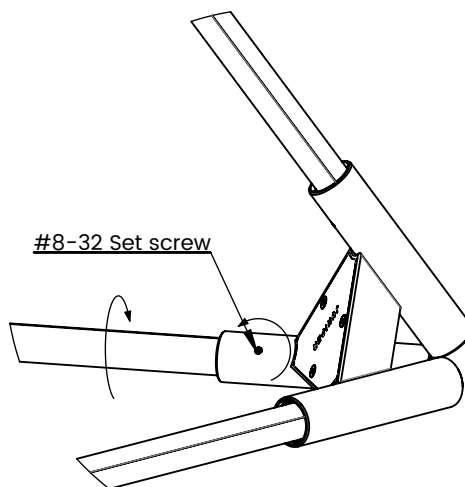


FIGURE 9

CARE INSTRUCTIONS

Brass will patina over time like other natural metals and regular care is required in order to retain the quality finish of your THIN fixture for years to come.

Gently wipe with a damp cloth to remove dirt, dust, and fingerprints.

Do not use any chemical cleaning solution.

Use indoors only.