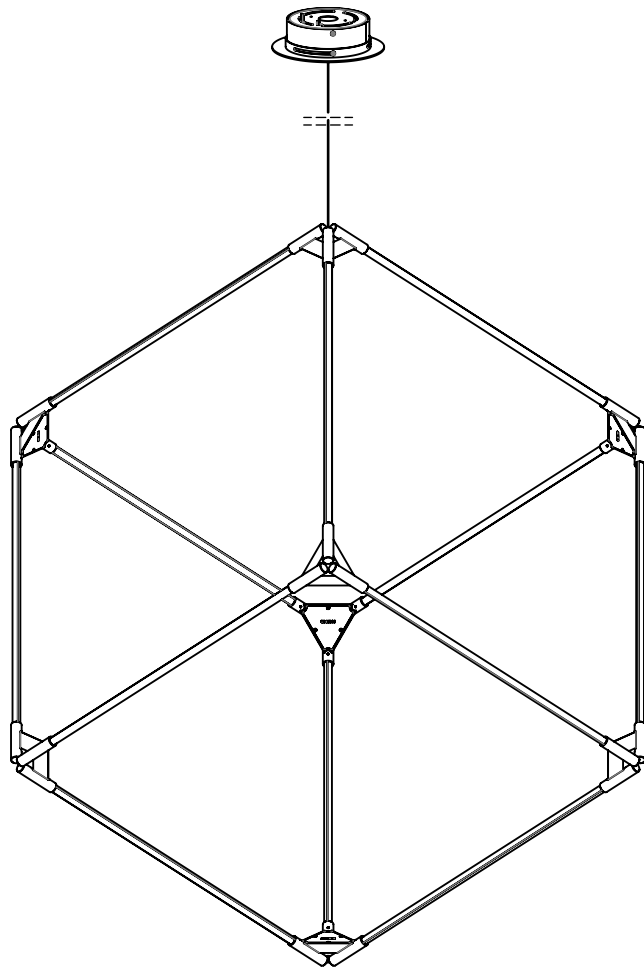


JUNIPER[®] THIN Solids Suspension Local Installation Guide



24" CUBE

SHOWN ARE EXAMPLES OF CONFIGURATION POSSIBILITIES. SPECIFIC FIXTURE CONFIGURATION MAY VARY.

WARNING

A LICENSED ELECTRICIAN SHOULD PERFORM INSTALLATION. DISCONNECT MAIN POWER AT THE SOURCE PRIOR TO INSTALLATION.

INSTRUCTIONS MEANT FOR A LOCAL CLASS 2 DRIVER.

STEP 1: JUNCTION BOX COVER PLATE INSTALLATION INSTRUCTIONS

1

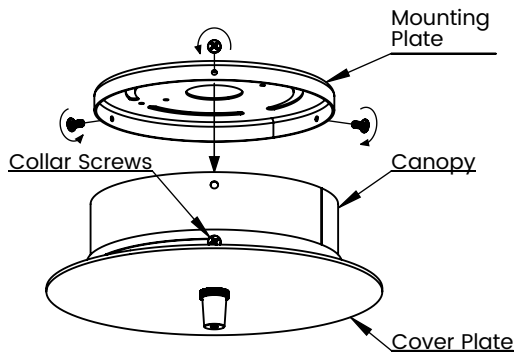


FIGURE 1

Remove Screws from the canopy assembly to release the mounting plate. Cover plate can be rotated by loosening the collar screw.

2

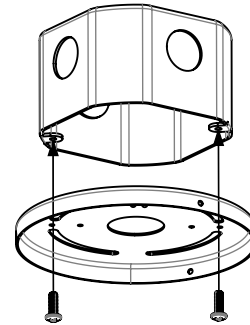


FIGURE 2

Attach the mounting plate to the Junction box using provided screws.

3

MAINS TO POWER SUPPLY

AC - Neutral
White
Driver Input (-)

Orange
wire nuts

AC - LINE
Black
Driver Input (+)

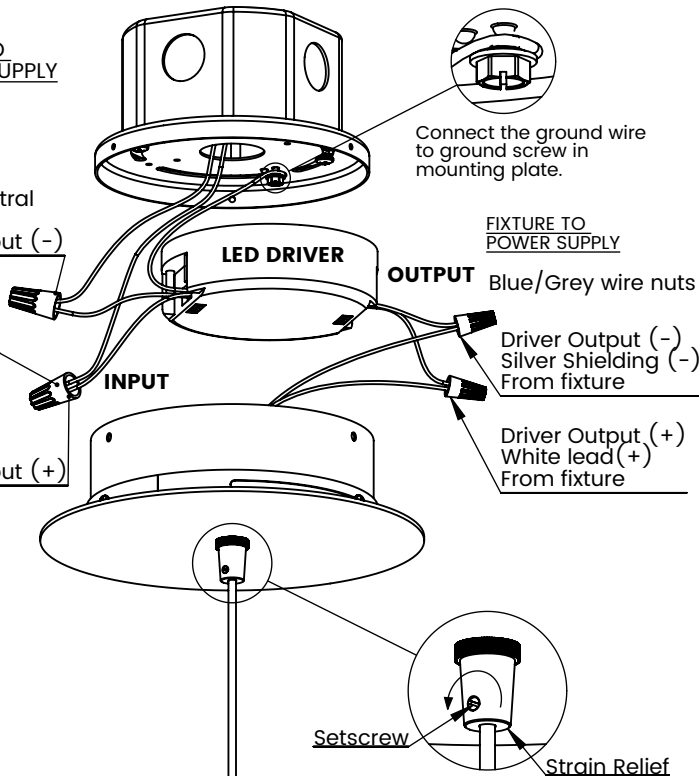


FIGURE 3

Loosen the set screw on the strain relief. Pass power cable through the strain relief as shown. Connect wires according to diagram (wires nuts provided). **Length of power cord should be adjusted for desired suspension height. AC wires to driver are not provided. Tighten the setscrew on strain relief after adjustment.**

4

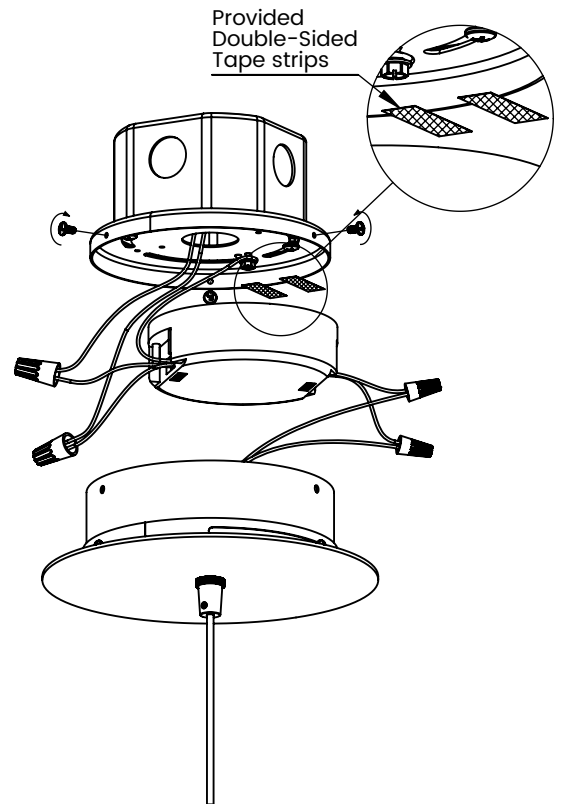


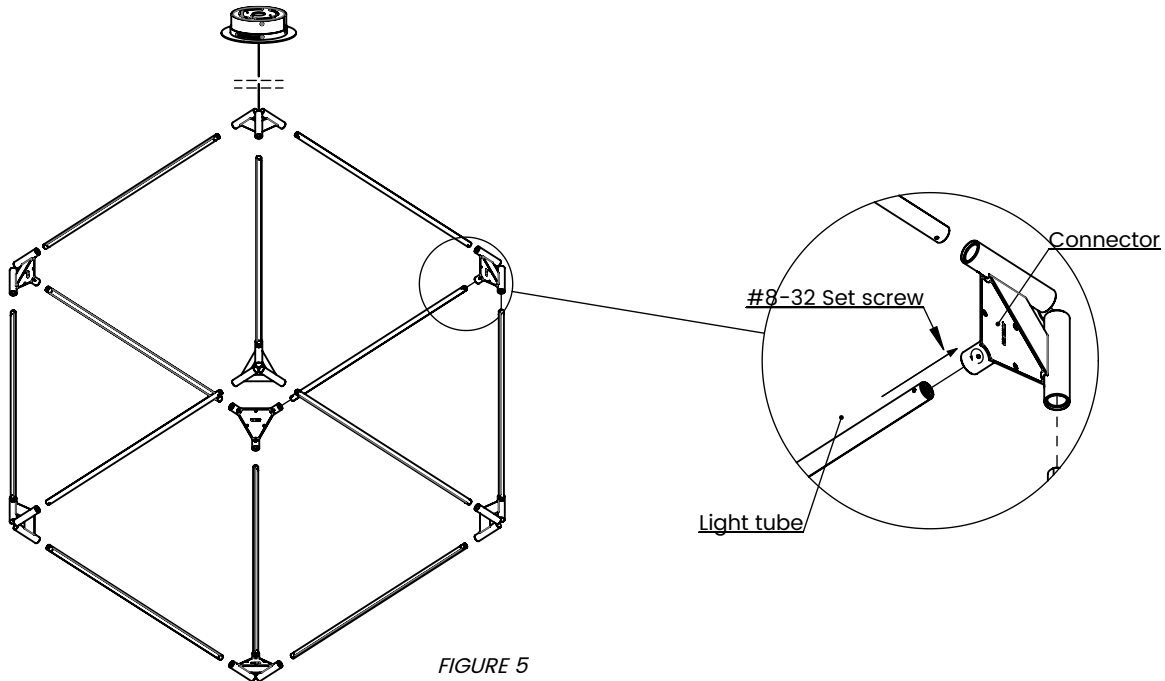
FIGURE 4

- A. Attach LED Driver to mounting plate using provided double-sided tape strips.
- B. Place wires inside canopy and attach the canopy to mounting plate using screws removed during first instruction.

STEP 2: LIGHT TUBE INSTALLATION

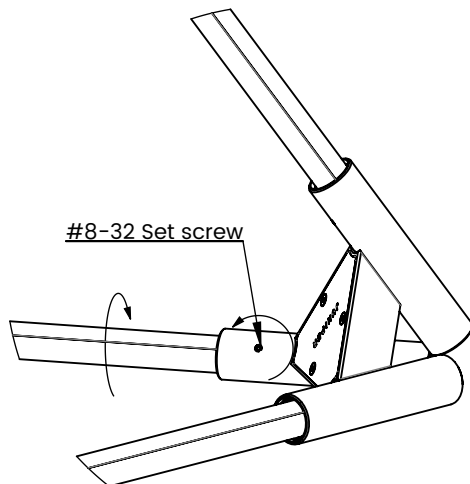
1. Loosen the set screw on the connectors as shown
2. Insert the first light tube into the connectors and **tighten the set screws on the connectors** as shown in figure 5.
3. Repeat the above instructions to install light tubes subsequently.

Do not install the lower light tubes without tightening the set screws on the upper light tubes.



STEP 3: ADJUSTING THE LIGHT TUBES

1. Loosen the set screw on the connectors as shown. **Do not loosen set screws on all connectors simultaneously. Adjust only one light tube at a time.**
2. Rotate the light tube to change the direction of the light.
3. Tighten the set screws on the connector.



CARE INSTRUCTIONS

Brass will patina over time like other natural metals and regular care is required in order to retain the quality finish of your THIN fixture for years to come.

Gently wipe with a damp cloth to remove dirt, dust, and fingerprints.

Do not use any chemical cleaning solution.

Use indoors only.