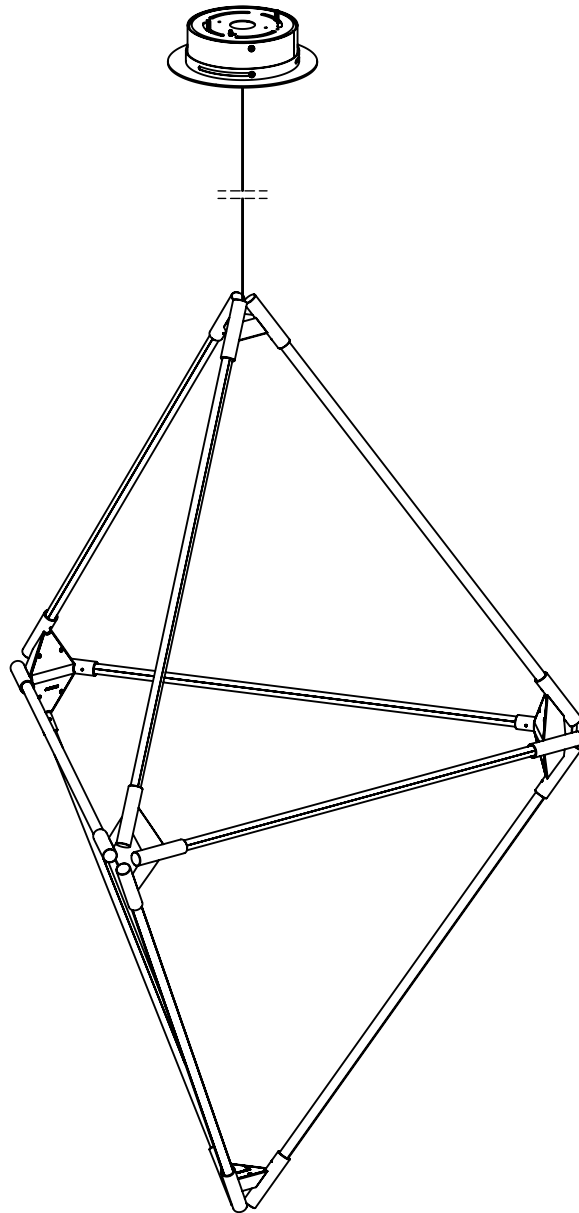


# JUNIPER<sup>®</sup> THIN Solids Suspension Local Installation Guide



24" DIAMOND

SHOWN ARE EXAMPLES OF CONFIGURATION POSSIBILITIES. SPECIFIC FIXTURE CONFIGURATION MAY VARY.

**WARNING**

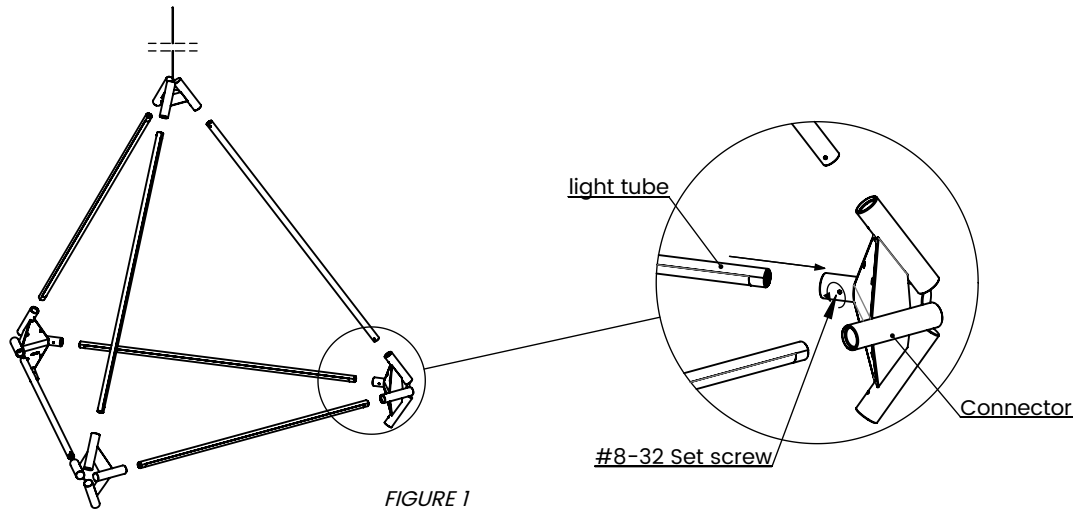
**A LICENSED ELECTRICIAN SHOULD PERFORM INSTALLATION.  
DISCONNECT MAIN POWER AT THE SOURCE PRIOR TO INSTALLATION.**

**INSTRUCTIONS MEANT FOR A LOCAL CLASS 2 DRIVER.**

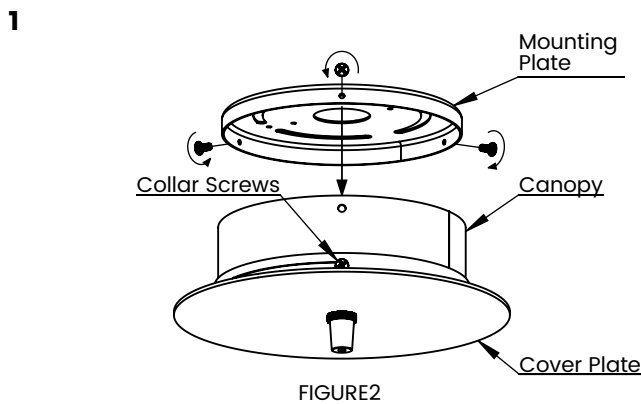
**STEP 1: ASSEMBLE UPPER LIGHT TUBES (ON THE GROUND)**

1. Loosen the set screw on the connectors as shown
2. Insert light tubes into the connectors as shown in figure 1.
3. Tighten the set screw on the connector.

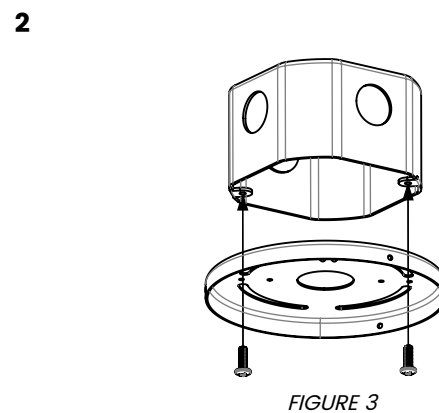
**Do not suspend the fixture without tightening the set screws.**



**STEP 2: JUNCTION BOX COVER PLATE INSTALLATION INSTRUCTIONS**



Remove Screws from the canopy assembly to release the mounting plate.  
Cover plate can be rotated by loosening the collar screw.



Attach the mounting plate to the Junction box using provided screws.

3

MAINS TO POWER SUPPLY

AC - Neutral  
White  
Driver Input (-)

Orange  
wire nuts

AC - LINE  
Black  
Driver Input (+)

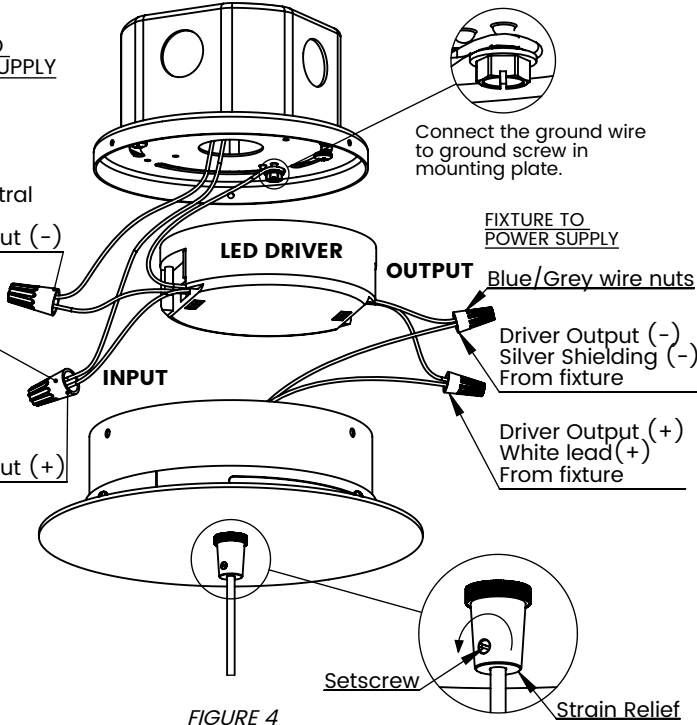
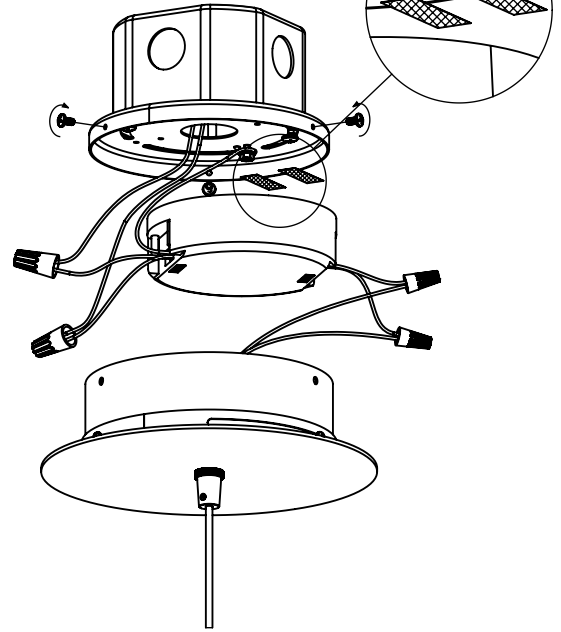


FIGURE 4

4

Provided  
Double-Sided  
Tape strips



- A. Attach LED Driver to mounting plate using provided double-sided tape strips.
- B. Place wires inside canopy and attach the canopy to mounting plate using screws removed during first instruction.

Loosen the set screw on the strain relief. Pass power cable through the strain relief as shown. Connect wires according to diagram (wires nuts provided). **Length of power cord should be adjusted for desired suspension height. AC wires to driver are not provided. Tighten the setscrew on strain relief after adjustment.**

**STEP 3: ASSEMBLE LOWER LIGHT TUBES**

1. Loosen the set screw on the connectors as shown.
2. Insert Light tubes into the connectors as shown in figure 6.
3. **Tighten the set screw on the connector.**

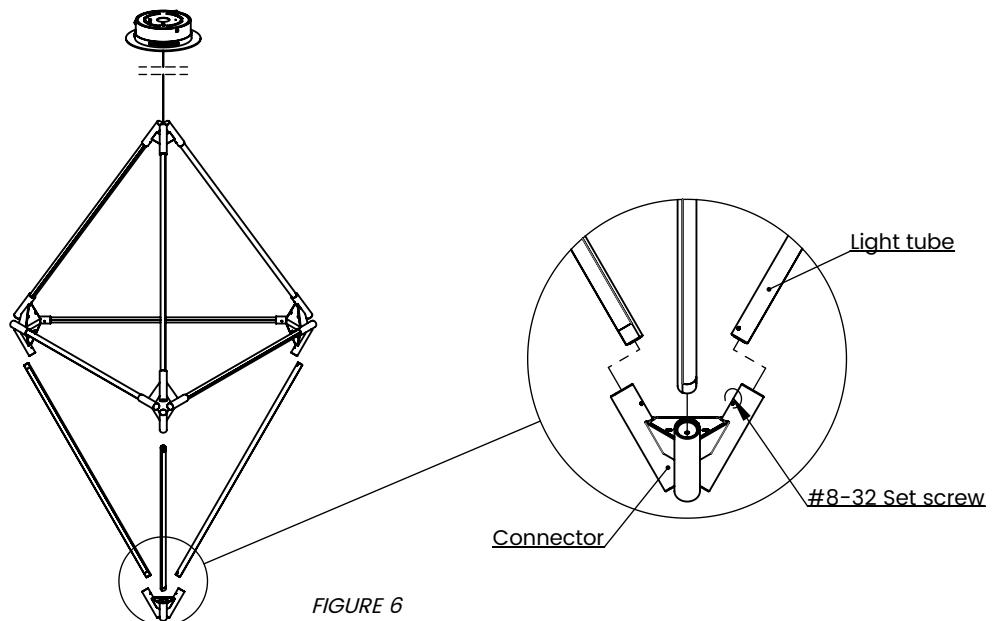
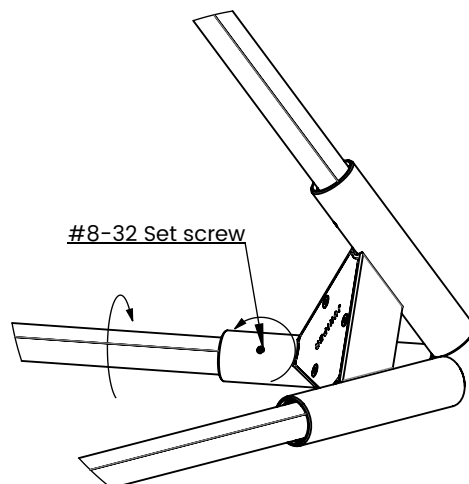


FIGURE 6

**STEP 4: ADJUSTING THE LIGHT TUBES**

1. Loosen the set screw on the connectors as shown.  
**Do not loosen set screws on all connectors simultaneously. Adjust only one light tube at a time.**
2. Rotate the light tube to change the direction of the light.
3. Tighten the set screws on the connector.

**CARE INSTRUCTIONS**

Brass will patina over time like other natural metals and regular care is required in order to retain the quality finish of your THIN fixture for years to come.

Gently wipe with a damp cloth to remove dirt, dust, and fingerprints.

Do not use any chemical cleaning solution.

Use indoors only.