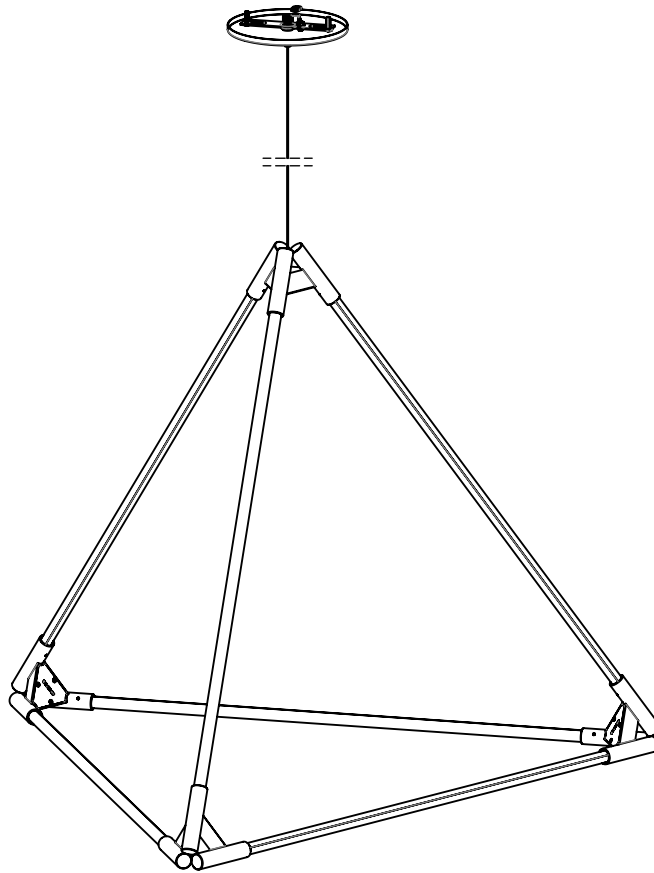


JUNIPER[®] THIN Solids Suspension Remote Installation Guide



24" TETRAHEDRON

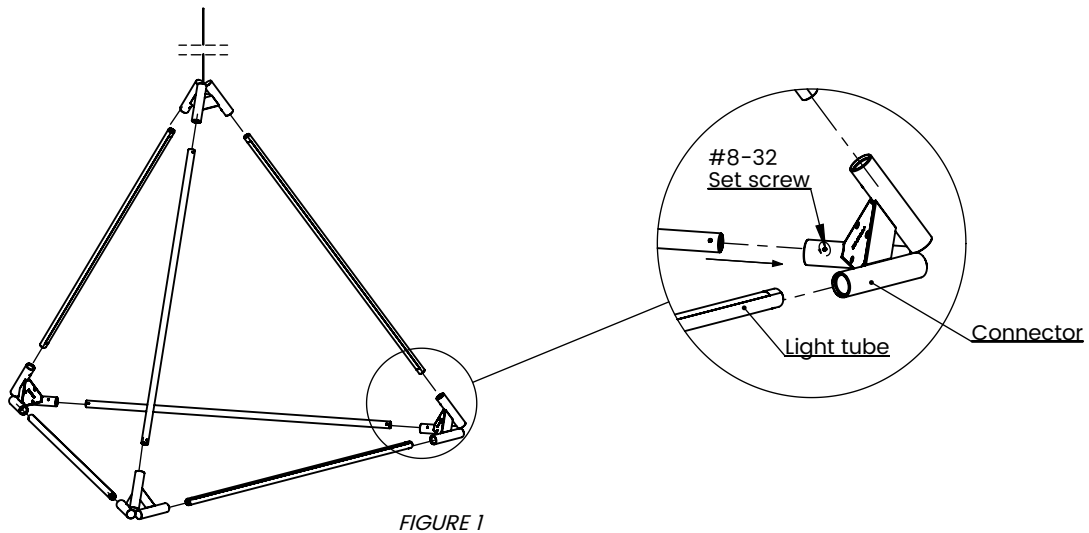
WARNING

**A LICENSED ELECTRICIAN SHOULD PERFORM INSTALLATION.
DISCONNECT MAIN POWER AT THE SOURCE PRIOR TO INSTALLATION.**

INSTRUCTIONS MEANT FOR A REMOTE CLASS 2 DRIVER.

STEP 1: ASSEMBLE LIGHT TUBES (ON THE GROUND)

1. Loosen the set screw on the connectors as shown
 2. Insert light tubes into the connectors as shown in figure 1.
 3. Tighten the set screw on the connector.
- Do not suspend the fixture without tightening the set screws.**



POWER FEED OPTIONS

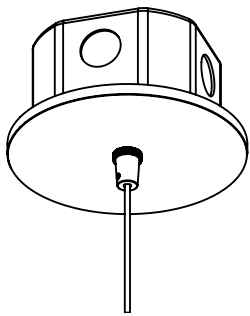


FIGURE 2

CANOPY PLATE

FOR FIXTURES WIRED TO A JUNCTION BOX.

SEE **STEP 2A** FOR DETAILED INSTALLATION AND WIRING INFORMATION.

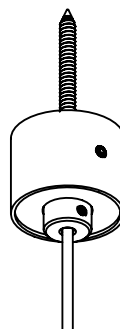


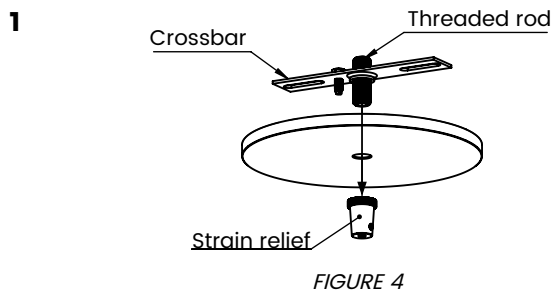
FIGURE 3

MINI CANOPY

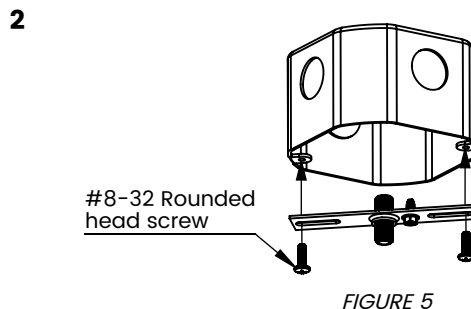
FOR FIXTURE MOUNTING DIRECTLY TO THE CEILING.

SEE **STEP 2B** FOR DETAILED INSTALLATION AND WIRING INFORMATION.

STEP 2A: JUNCTION BOX COVER PLATE INSTALLATION INSTRUCTIONS



Remove strain relief from the canopy cover to release the crossbar.



Attach the crossbar to the junction box using provided #8-32 rounded head screws.

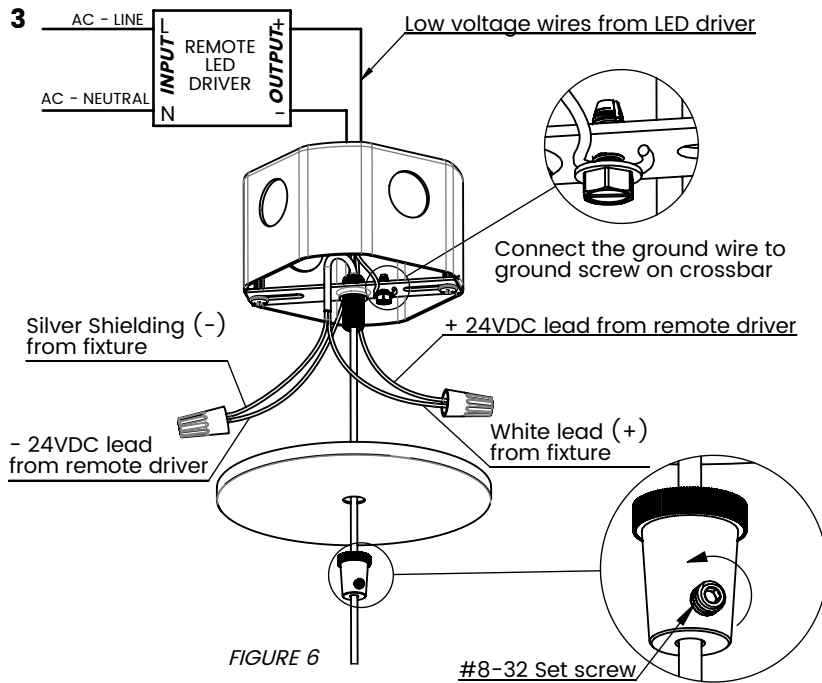


FIGURE 6

Loosen the #8-32 set screw on the strain relief. Pass power cable through threaded rod and strain relief as shown. Connect wires according to diagram (wire nuts provided). **Wires to and from the driver are not included.**

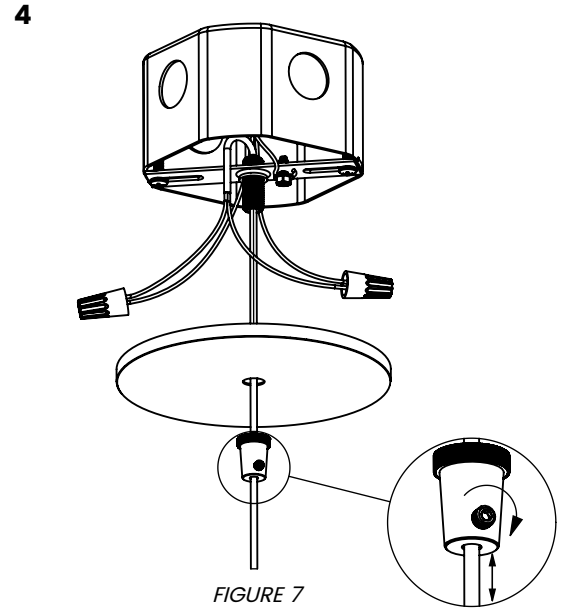


FIGURE 7

Push wires inside the junction box and screw the strain relief into threaded rod to attach canopy plate to junction box. **Length of power cord should be adjusted for desired suspension height. Tighten the screw on the strain relief after adjustment.**

STEP 2B: MINI CANOPY INSTALLATION INSTRUCTIONS

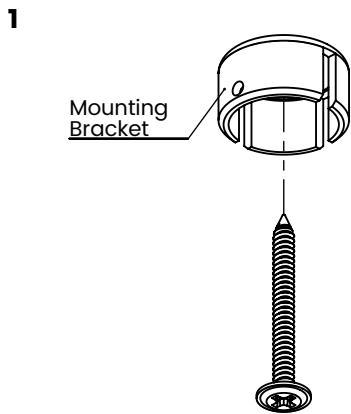


FIGURE 8

Install mounting bracket at A mounting points using provided #8 wood screws.

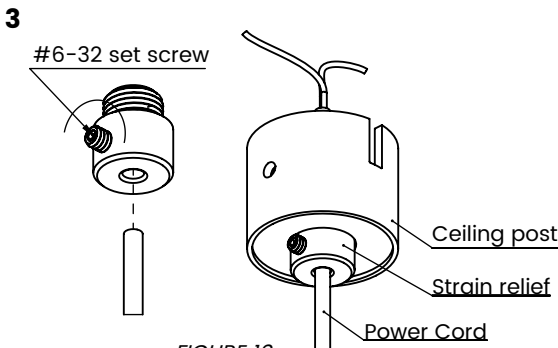


FIGURE 10

Loosen the #6-32 set screw on the strain relief. Pass power cable through strain relief as shown.

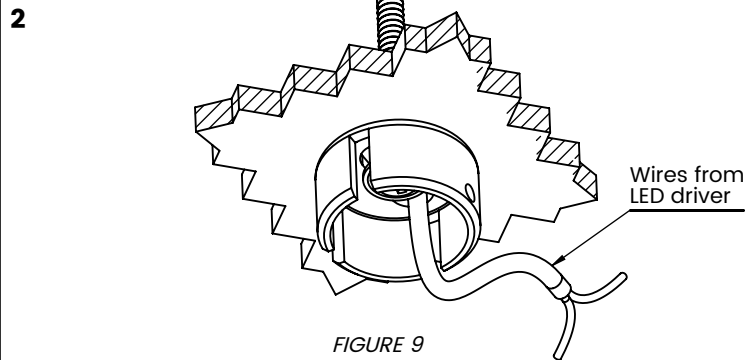


FIGURE 9

Drill a hole through the mounting bracket slot using a 1/8" drill bit, which will be used to receive low voltage wires from remotely located LED driver.

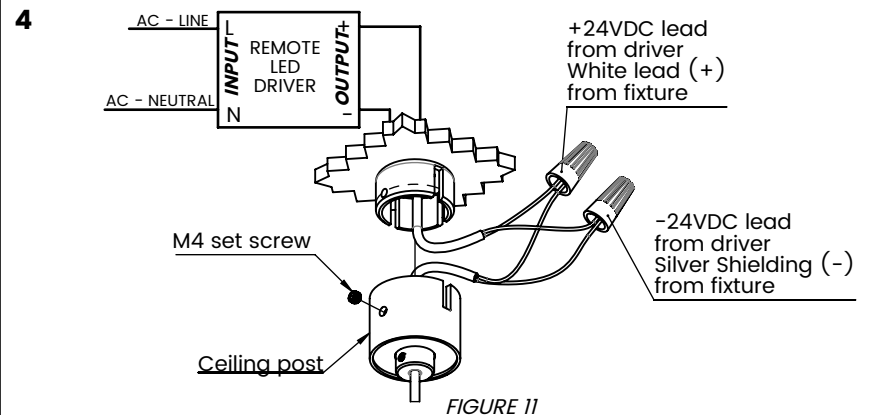


FIGURE 11

Connect wires using provided wire nuts and push the wires along with the wire nuts into the ceiling post. Attach ceiling post to mounting bracket using provided M4 set screw. **Length of power cord should be adjusted for desired suspension height. Tighten the screw on the strain relief after adjustment. Wires to and from the driver are not included.**

STEP 3: ADJUSTING THE LIGHT TUBES

1. Loosen the set screw on the connectors as shown
Do not loosen set screws on all connectors simultaneously. Adjust only one light tube at a time.
2. Rotate the light tube to change the direction of the light.
3. Tighten the set screws on the connector.

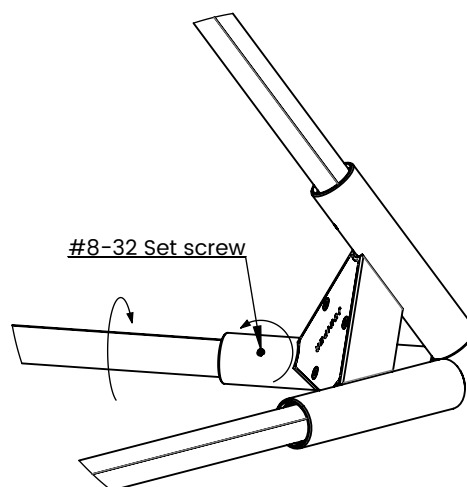


FIGURE 12

CARE INSTRUCTIONS

Brass will patina over time like other natural metals and regular care is required in order to retain the quality finish of your THIN fixture for years to come.

Gently wipe with a damp cloth to remove dirt, dust, and fingerprints.

Do not use any chemical cleaning solution.

Use indoors only.