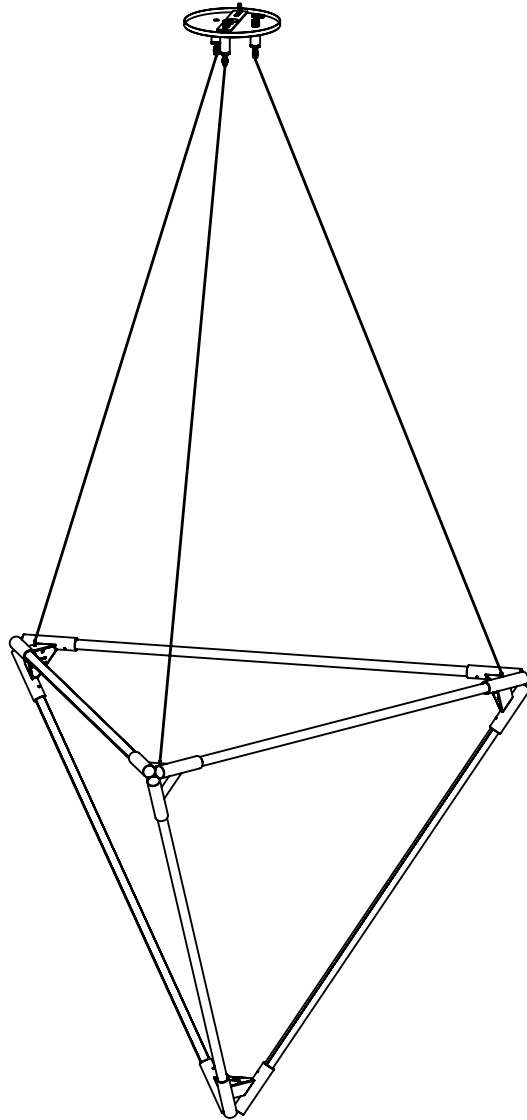


JUNIPER[®] THIN Solids Suspension Remote Installation Guide

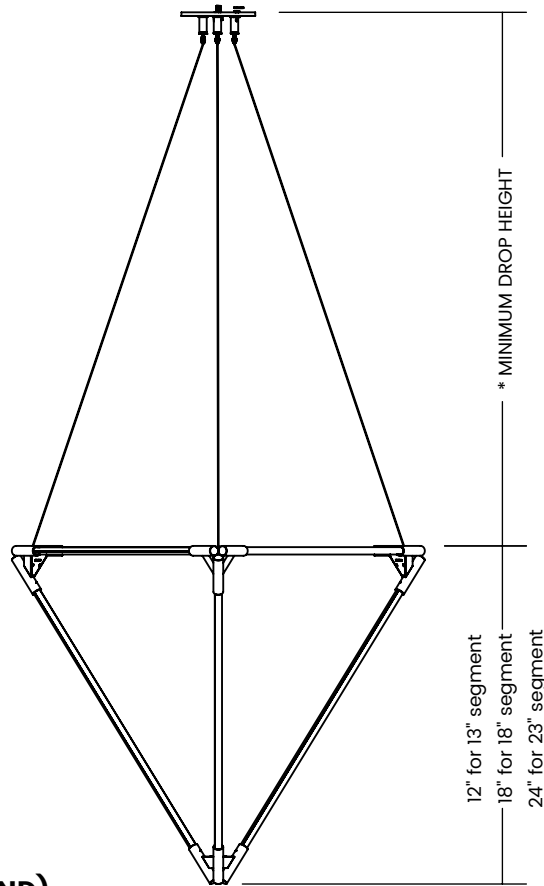


24" TETRAHEDRON

WARNING

**A LICENSED ELECTRICIAN SHOULD PERFORM INSTALLATION.
DISCONNECT MAIN POWER AT THE SOURCE PRIOR TO INSTALLATION.**

INSTRUCTIONS MEANT FOR A REMOTE CLASS 2 DRIVER.



*** MINIMUM DROP HEIGHT**

- 12" Segment : 12" Minimum drop height
- 18" Segment : 17" Minimum drop height
- 24" Segment : 22" Minimum drop height

STEP 1: ASSEMBLE LIGHT TUBES (ON THE GROUND)

1. Loosen the set screw on the connectors as shown.
 2. Insert light tubes into the connectors as shown in figure 1.
 3. Tighten the set screw on the connector.
- Do not suspend the fixture without tightening the set screws.**

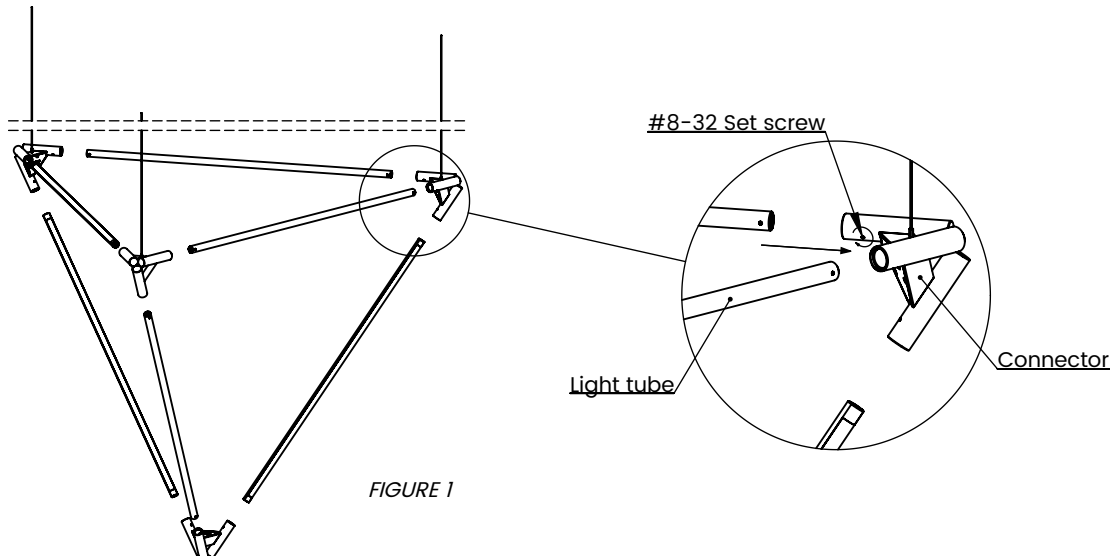


FIGURE 1

STEP 2: JUNCTION BOX COVER PLATE INSTALLATION INSTRUCTIONS

1

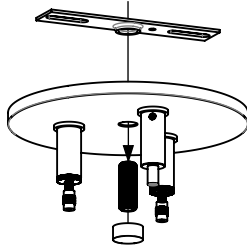


FIGURE 2

Remove nut and threaded rod from the canopy cover to release the crossbar.

2

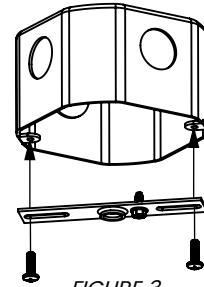


FIGURE 3

Attach the crossbar to the junction box using provided screws.

3

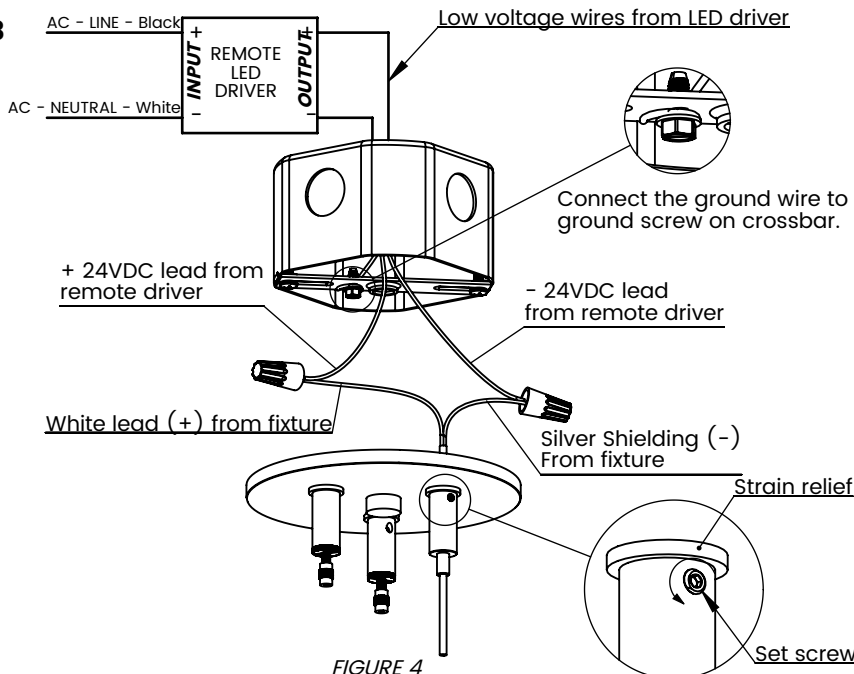


FIGURE 4

Loosen the set screw on the strain relief. Pass power cable, through strain relief as shown. Connect wires according to diagram (wire nuts provided). **Wires to end from the driver are not included.**

4

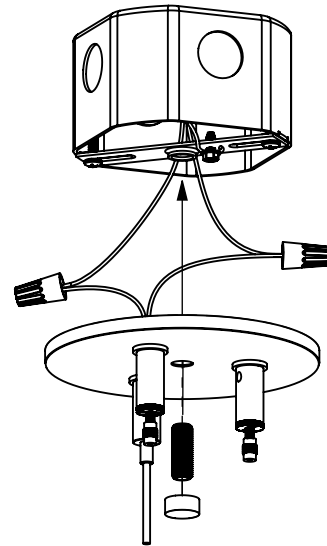


FIGURE 5

Place wires inside junction box. Screw threaded rod and nut into crossbar to attach canopy plate to junction box.

5

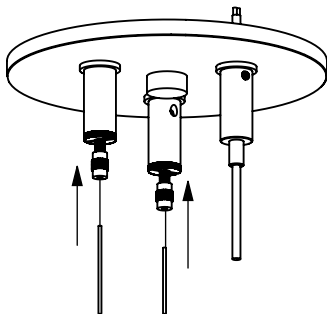


FIGURE 6

Feed aircraft cable of all passthrough sleeves through the grippers as shown above.

6

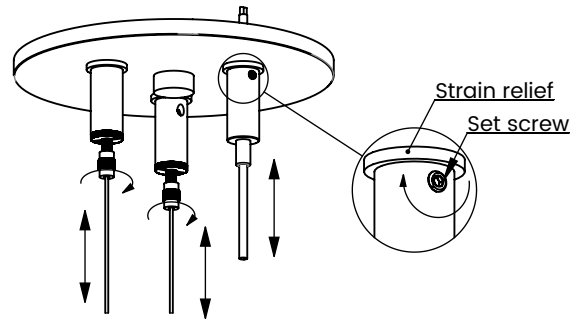


FIGURE 7

Adjust aircraft and power cable length as needed. Press safety nut on gripper to loosen aircraft cable. Tighten safety nut on gripper and set screw on strain relief completely when finished. **Do not cut extra aircraft cable until full fixture is assembled and desired suspension height is achieved.**

STEP 3: ADJUSTING THE LIGHT TUBES

1. Loosen the set screw on the connectors as shown
Do not loosen set screws on all connectors simultaneously. Adjust only one light tube at a time.
2. Rotate the light tube to change the direction of the light.
3. Tighten the set screws on the connector.

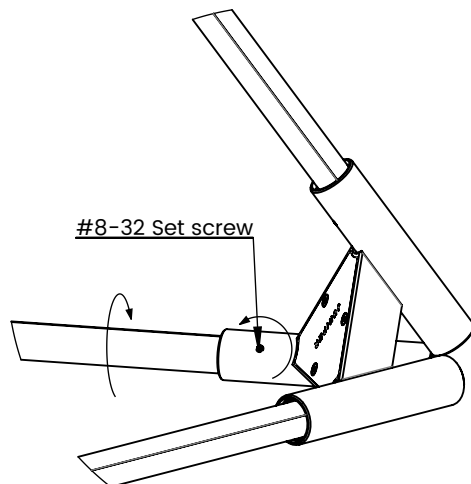


FIGURE 8

CARE INSTRUCTIONS

Brass will patina over time like other natural metals and regular care is required in order to retain the quality finish of your THIN fixture for years to come.

Gently wipe with a damp cloth to remove dirt, dust, and fingerprints.

Do not use any chemical cleaning solution.

Use indoors only.