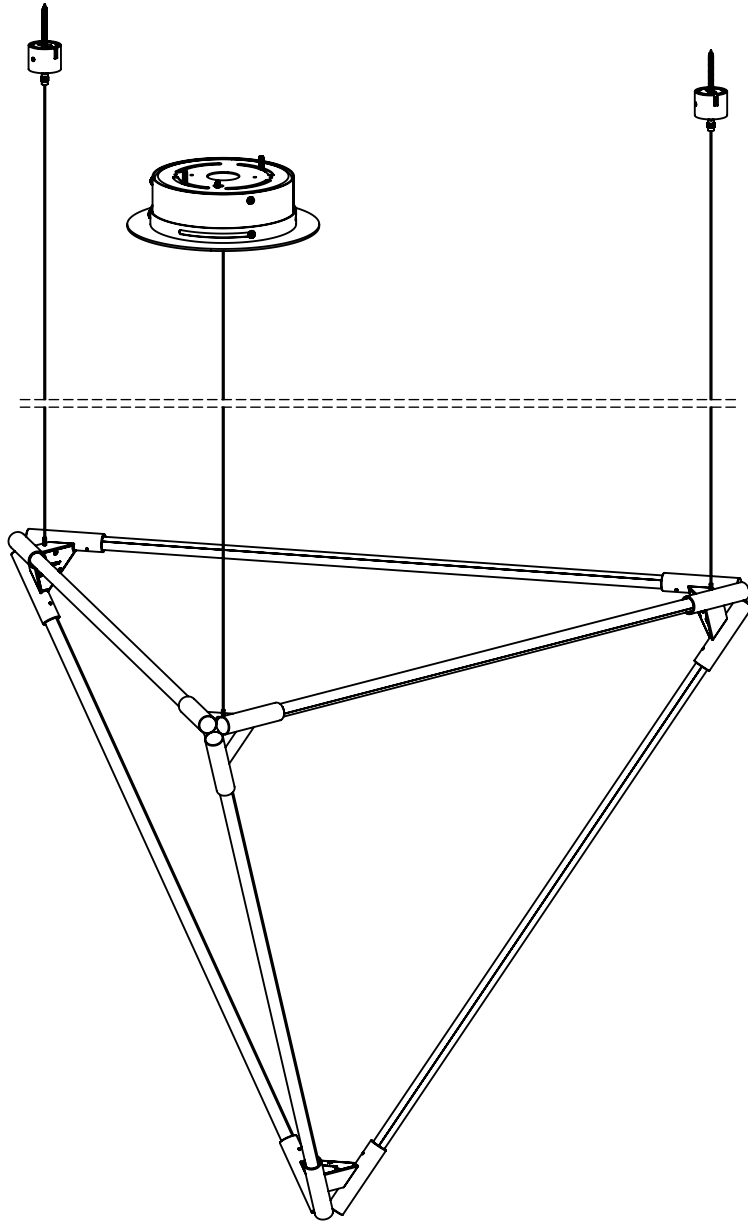


JUNIPER[®] THIN Solids Suspension Local Installation Guide



24" TETRAHEDRON

WARNING

A LICENSED ELECTRICIAN SHOULD PERFORM INSTALLATION. DISCONNECT MAIN POWER AT THE SOURCE PRIOR TO INSTALLATION.

INSTRUCTIONS MEANT FOR A LOCAL CLASS 2 DRIVER.

STEP 1: MARK MOUNTING POINTS

Carefully mark the mounting points with a pencil or marker, using the spacing in Figure 1. **It is highly recommended to use a laser alignment/ measuring tool to ensure that mounting parts are properly distanced.**

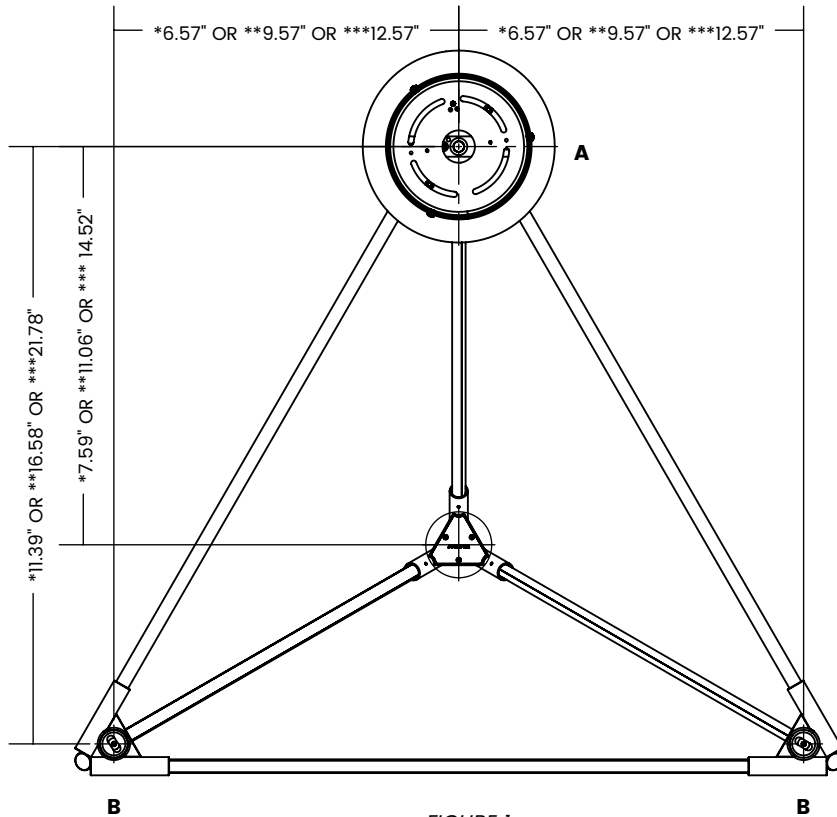


FIGURE 1

KEY

- A POWER END** SUPPLIES POWER TO THE FIXTURE. CANOPY IS MOUNTED AT THE POWER END OF THE FIXTURE.
- B CEILING POST** INSTALLED AT THE NON-POWERED END OF THE FIXTURE.

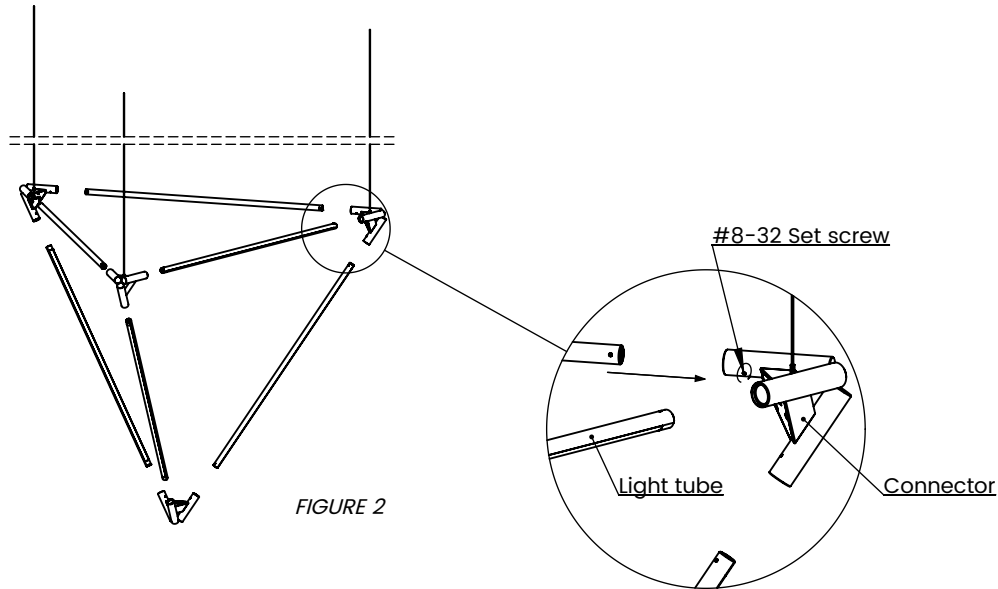
Assumed as power sleeve. Mounting point measurements of all passthrough sleeves should be taken from power sleeve.

- * FOR 12" LIGHT SEGMENTS
- ** FOR 18" LIGHT SEGMENTS
- *** FOR 24" LIGHT SEGMENTS

STEP 2: ASSEMBLE LIGHT TUBES (ON THE GROUND)

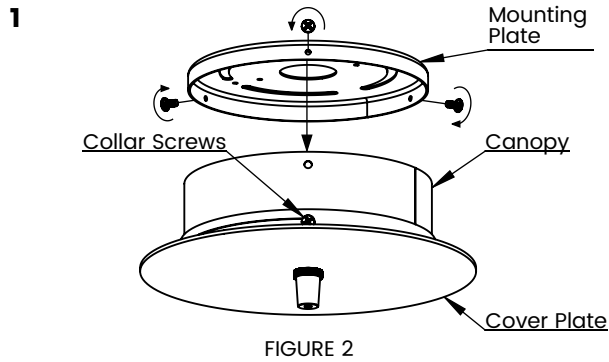
1. Loosen the set screw on the connectors as shown
2. Insert light tubes into the connectors as shown in figure 2.
3. Tighten the set screw on the connector.

Do not suspend the fixture without tightening the set screws.

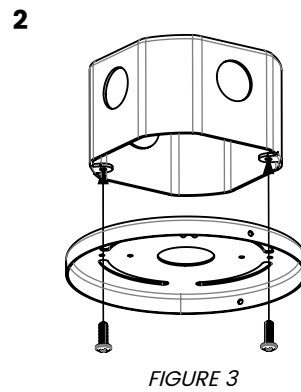


STEP 3: FIXTURE INSTALLATION

Power End (A)



Remove Screws from the canopy assembly to release the mounting plate. Cover plate can be rotated by loosening the collar screw.



Attach the mounting plate to the Junction box using provided screws.

3

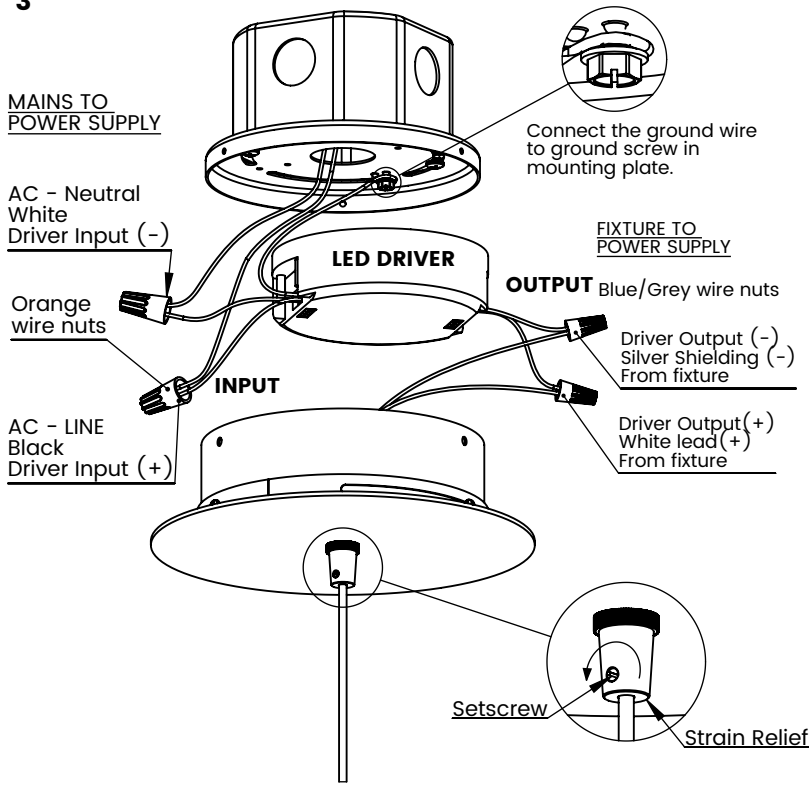


FIGURE 4

Loosen the set screw on the strain relief. Pass power cable through the strain relief as shown. Connect wires according to diagram (wires nuts provided). **Length of power cord should be adjusted for desired suspension height. AC wires to driver are not provided. Tighten the setscrew on strain relief after adjustment.**

CEILING POST (B)

5

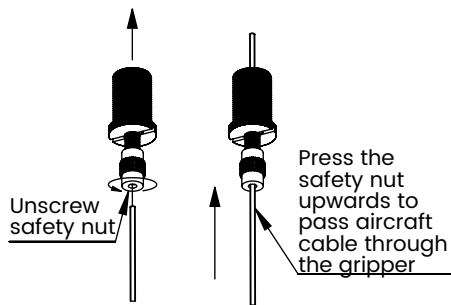


FIGURE 6

Partly loosen safety nut on cable gripper. Feed aircraft cable through the gripper. Do this for all aircraft cable ends.

4

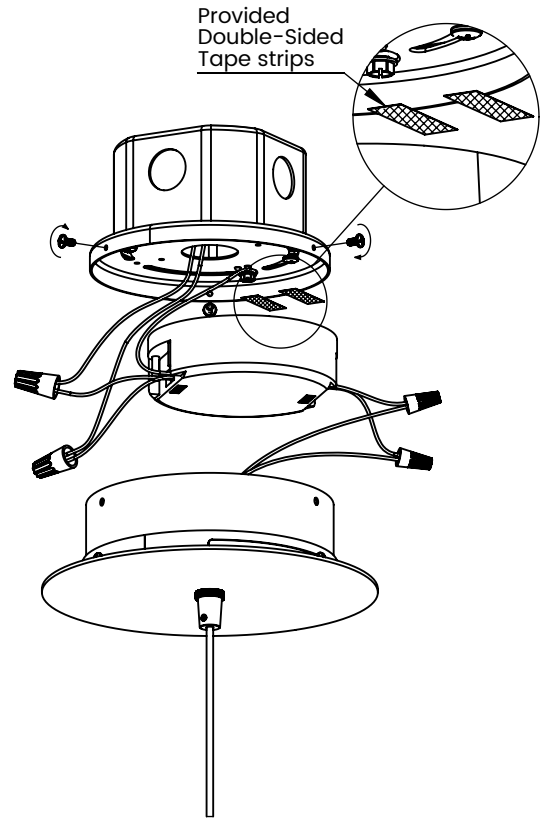


FIGURE 5

- A. Attach LED Driver to mounting plate using provided double-sided tape strips.
- B. Place wires inside canopy and attach the canopy to mounting plate using screws removed during first instruction.

6

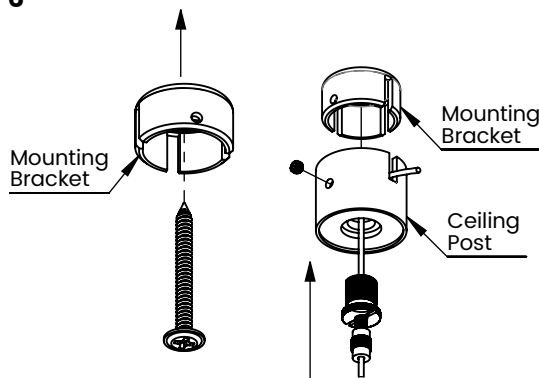


FIGURE 7

Install mounting brackets at all B and C mounting points using provided wood screws. Pass the extra aircraft cable through the slot in ceiling post and screw gripper into ceiling post. Attach ceiling post to mounting bracket using provided set screw.

Alternate screws may be used at the recommendation of an electrician.

Use the slot on mounting bracket to make finer adjustment to mounting positions.

7

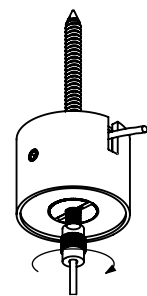
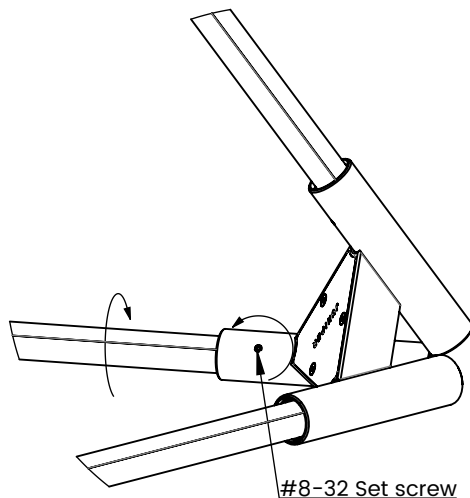


FIGURE 8

Adjust aircraft cable length as needed. Press safety nut on gripper to loosen aircraft cable. Tighten safety nut in completely when finished. **Do not cut extra aircraft cable until full fixture is assembled and desired suspension height is achieved.**

STEP 4: ADJUSTING THE LIGHT TUBES

1. Loosen the set screw on the connectors as shown.
Do not loosen set screws on all connectors simultaneously. Adjust only one light tube at a time.
2. Rotate the light tube to change the direction of the light.
3. Tighten the set screws on the connector.

**CARE INSTRUCTIONS**

Brass will patina over time like other natural metals and regular care is required in order to retain the quality finish of your THIN fixture for years to come.

Gently wipe with a damp cloth to remove dirt, dust, and fingerprints.

Do not use any chemical cleaning solution.

Use indoors only.