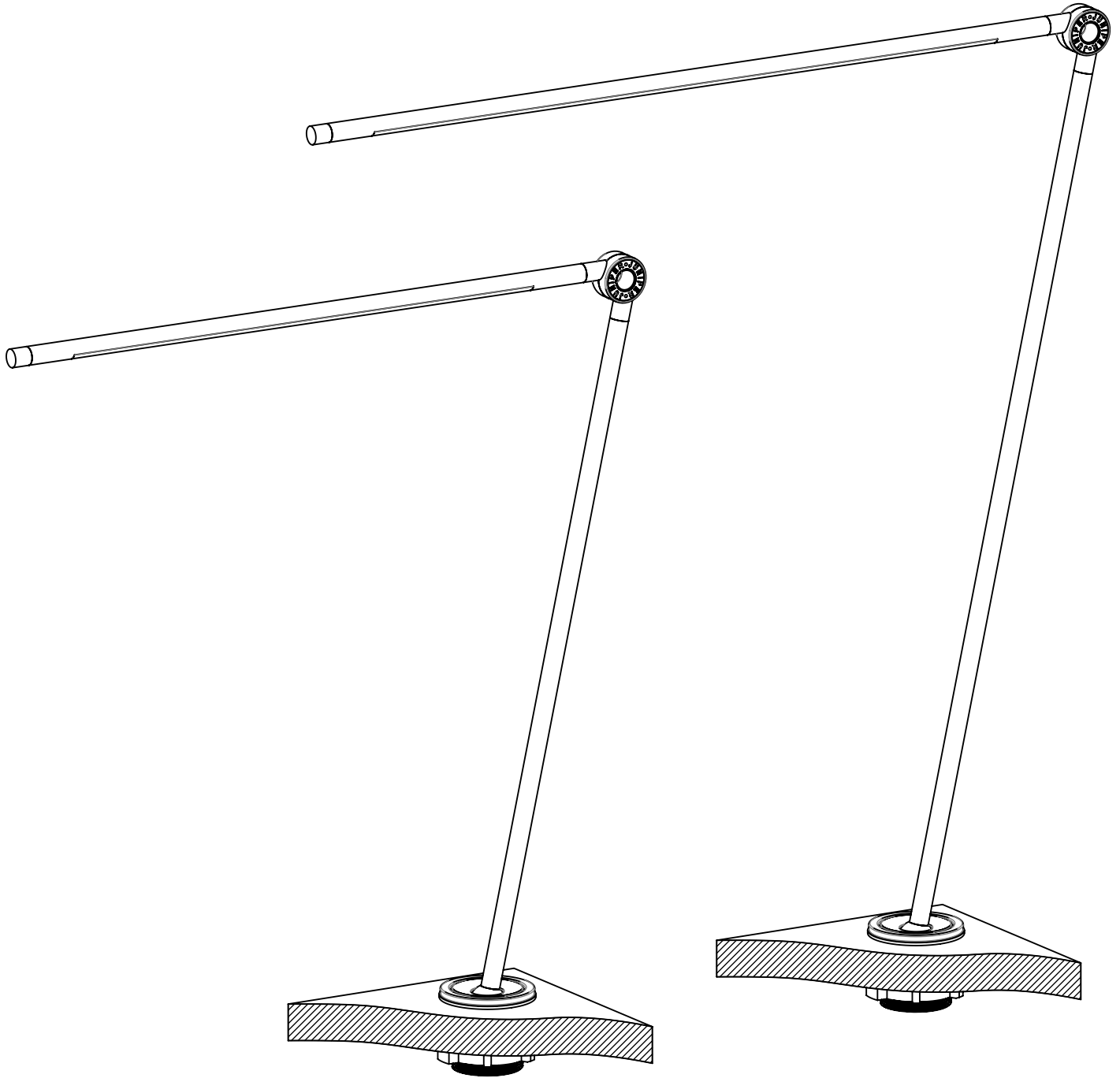


# JUNIPER<sup>®</sup> THIN Desk Inset Installation Guide



THIN SMALL Desk Inset

THIN TALL Desk Inset

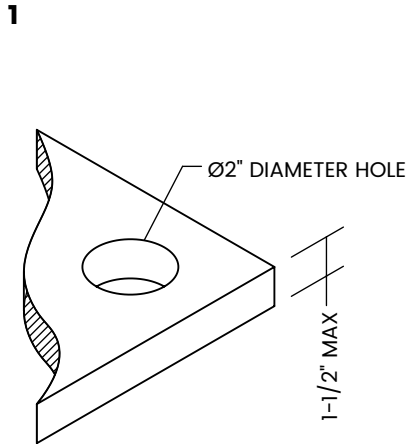


FIGURE 1

Drill a Ø2" diameter through hole in the mounting surface. **Thickness of the mounting surface should not exceed 1-1/2".**

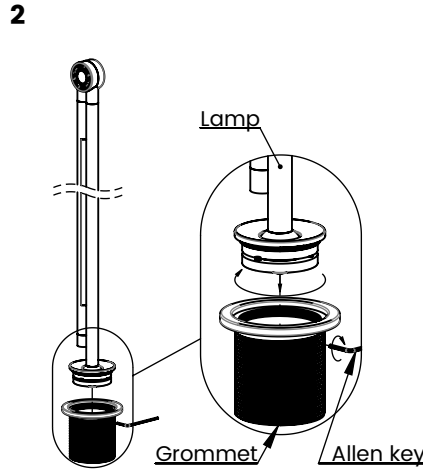


FIGURE 2

Screw the lamp into the grommet and use the provided Allen key to tighten the set screw and secure the lamp to the grommet. **Throughout the installation process, keep the lamp in a closed position as depicted above.**

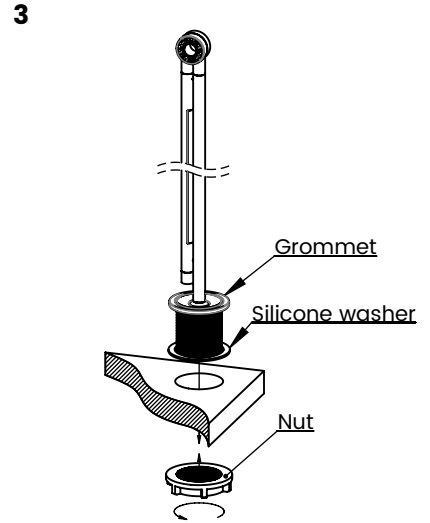


FIGURE 3

Slide the provided silicone washer on the grommet. Place the grommet in the hole and use the provided nut to secure the fixture.

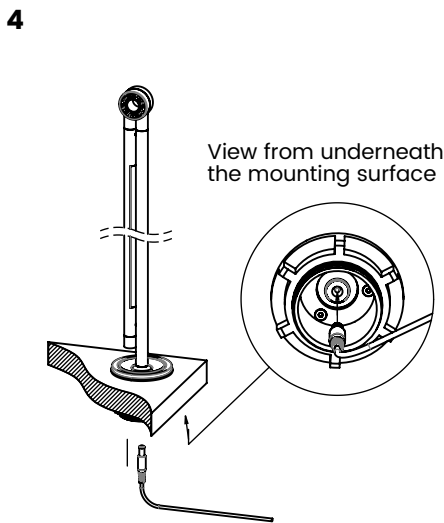


FIGURE 4

Insert the DC jack into the plug located at bottom of the fixture.

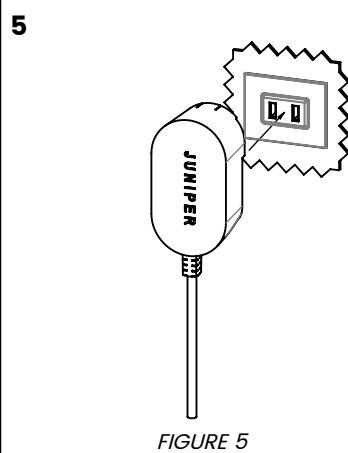


FIGURE 5

Plug the provided adapter in the wall socket to power the fixture.

**POWERING THE LAMP**

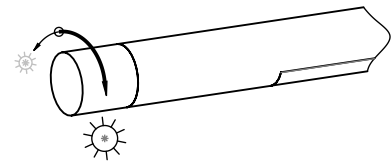


FIGURE 6

The knob at the tip of the lamp acts as a switch and dimmer. Turn clockwise to switch the lamp 'ON' and to change intensity of light from low to high.

**USING AND ADJUSTING THE LAMP**

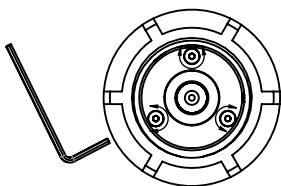


FIGURE 7

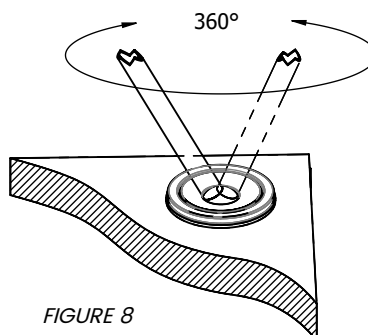


FIGURE 8

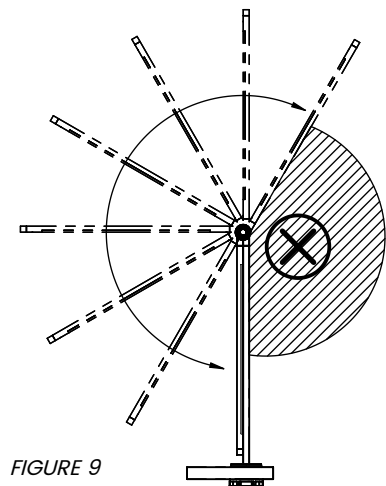


FIGURE 9

The lamp pivots around its central hinge and also rotates on its ball joint at the base of the lamp. **Be cautious not to force the lamp outside of its usable range.** The tension of the ball joint can be adjusted by tightening or loosening the three screws on the bottom of the lamp as shown in figure 7.