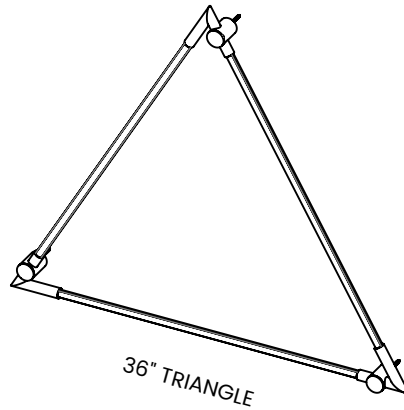


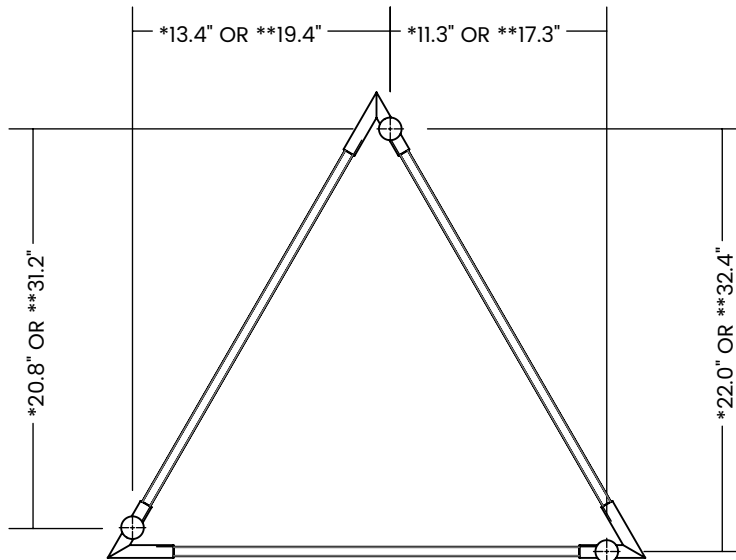
JUNIPER[®]

THIN Primaries Wall-Mount Installation Guide



MOUNTING POINTS DIMENSIONS

- * FOR 24" LIGHT SEGMENTS
- ** FOR 36" LIGHT SEGMENTS



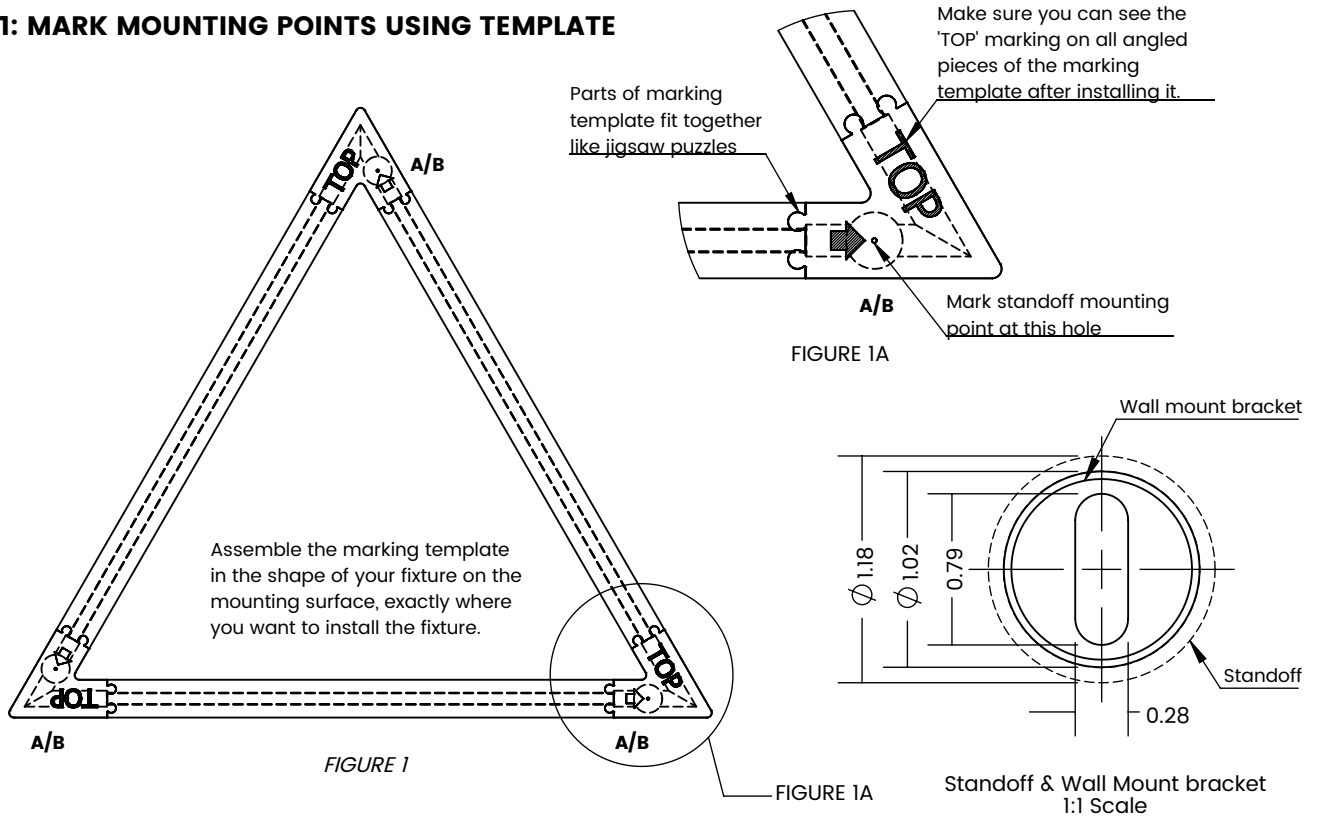
WARNING

A LICENSED ELECTRICIAN SHOULD PERFORM INSTALLATION. DISCONNECT MAIN POWER AT THE SOURCE PRIOR TO INSTALLATION.

INSTRUCTIONS IN "STEP 2A" MEANT FOR A REMOTE CLASS 2 DRIVER.

INSTRUCTIONS IN "STEP 2B" MEANT FOR A PLUGIN CLASS 2 POWER SUPPLY.

STEP 1: MARK MOUNTING POINTS USING TEMPLATE



KEY

- A POWER STANDOFF** MOUNTED AT THE POWER CORNER OF THE FIXTURE (SEE POWER FEED OPTIONS BELOW).
- B PASSTHROUGH STANDOFF** USED TO CONNECT SEGMENTS TOGETHER. MOUNTED AT ALL NON POWERED CORNERS OF THE FIXTURE.

1. Assemble the marking template on the mounting surface as shown above using removable tape. **Blue painters tape is recommended.**
2. Mark mounting points for the standoffs as shown in figure 1A.
3. Remove the marking template from the mounting surface.

All THIN Surface Mount Primaries fixtures are mounted in the same way. In the following instructions, Square (SQR) configurations has been used as an example. Install the correct number of standoffs and light segments according to your fixture's configuration.

POWER FEED OPTIONS

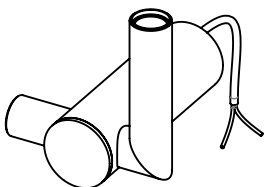


FIGURE 2

HARDWIRED

FOR FIXTURES WIRED TO A REMOTELY LOCATED LED DRIVER.

SEE **STEP 2A** FOR DETAILED INSTALLATION AND WIRING INFORMATION.

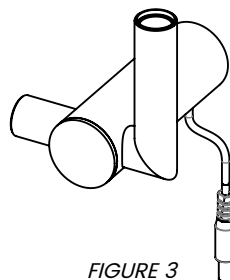


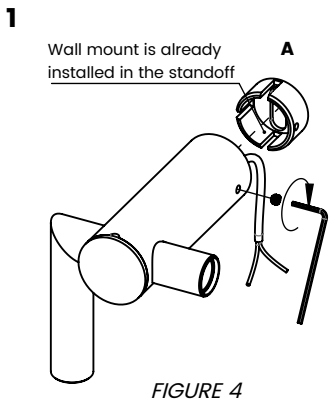
FIGURE 3

PLUG-IN

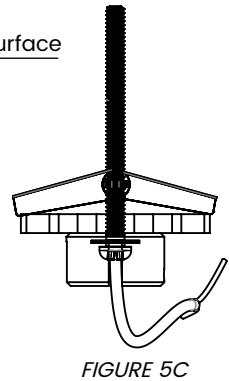
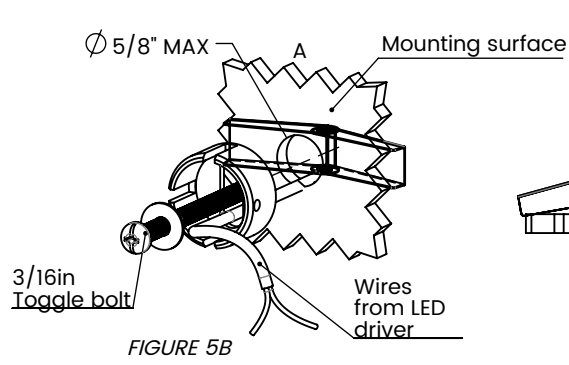
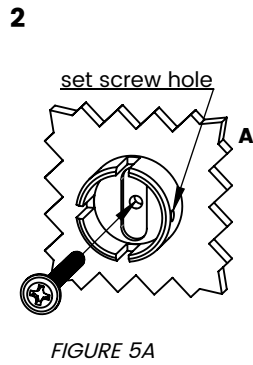
FOR LOCAL 24VDC POWER SUPPLY

SEE **STEP 2B** FOR DETAILED INSTALLATION AND WIRING INFORMATION.

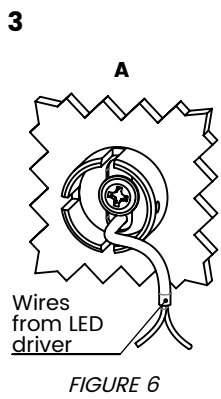
STEP 2A: HARDWIRED FIXTURE INSTALLATION



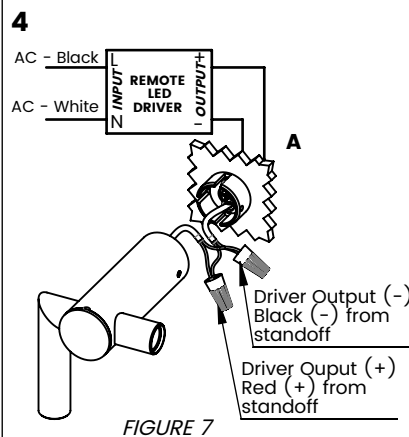
Loosen the set screw on the power standoff (A) and release the wall mount bracket. Wall mount is already installed in the standoff.



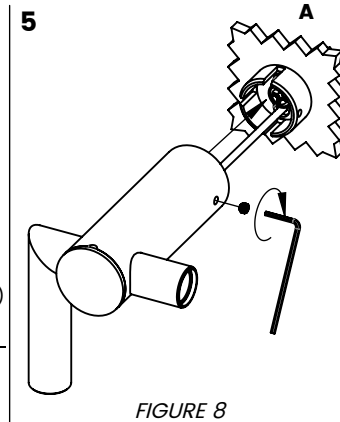
Using the provided screw, mount the wall bracket with the hole positioned in the center of the slot. Make sure to orient the slot vertically as depicted above. Woodscrews are provided for default installation. Alternate screws may be used at the recommendation of an electrician. Alternate installation with toggle bolt and washer is recommended for drywall as shown in figure 5B and 5C. Use 3/16in max. toggle bolt with head and/or washer larger than 3/8in but no larger than 1/2in.



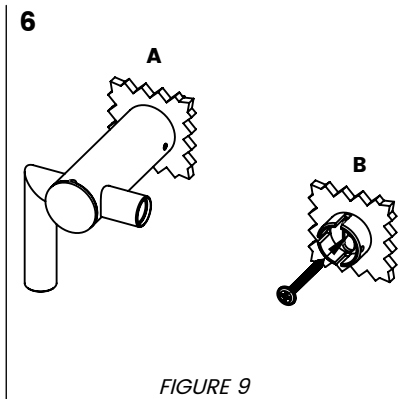
Drill a hole through the wall bracket slot using a 1/8" drill bit, which will be used to receive low voltage wires from remotely located LED driver.



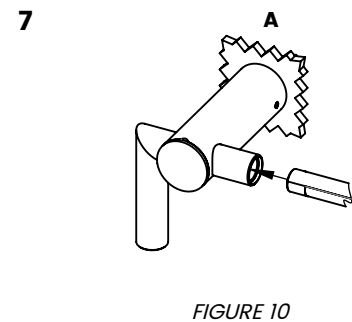
Connect wires using provided wire nuts and push the wires along with the wire nuts into the standoff. **Wires to and from the driver are not included.**



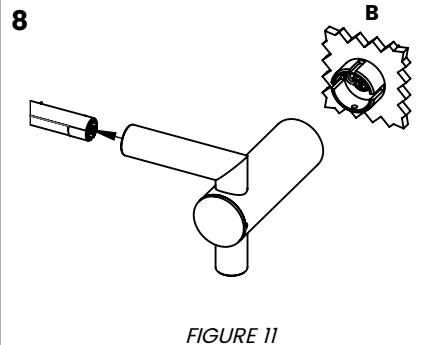
Slide the power standoff (A) on the wall bracket. Using the provided set screw, fix the power standoff in place. **Ensure that the mounting bracket has been secured tightly against the wall to prevent any sagging of the fixture.**



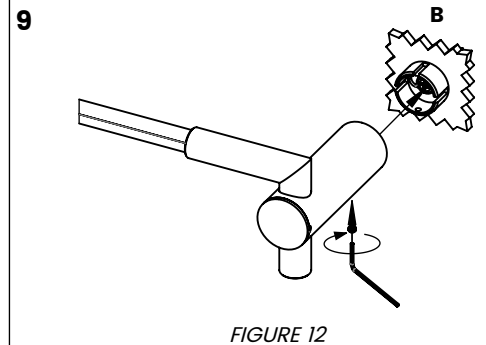
Mount the B wall bracket at its designated position marked in STEP 1.



Insert the first light segment into the power feed standoff.



Slide the pass through standoff (B) onto the light segment as depicted in figure. **Standoff should not be mounted on the wall bracket at this point.**



Carefully slide the pass through standoff (B) onto the mounting bracket and fix the standoff in place using provided set screw.

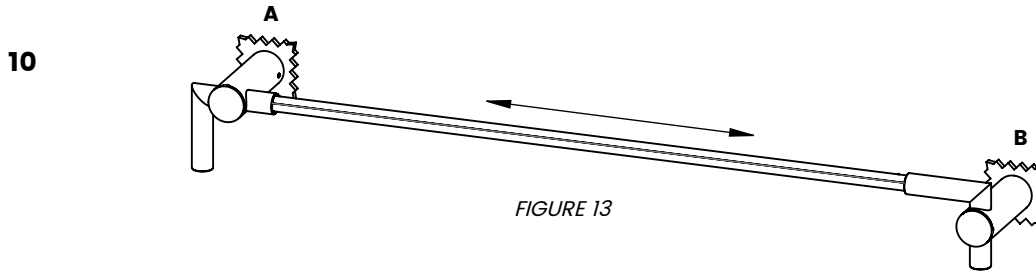


FIGURE 13

Make sure there is no movement of the light segment in the direction depicted above otherwise the fixture might not illuminate. In case of any movement, adjust the wall bracket by slightly loosening the B mounting screw and moving it in the direction of the power feed standoff (A). Note, the fixture is designed with 1/8" adjustment allowance. Once the fixture is illuminated, tighten set screw on the pass through (B) standoff to secure it in place.

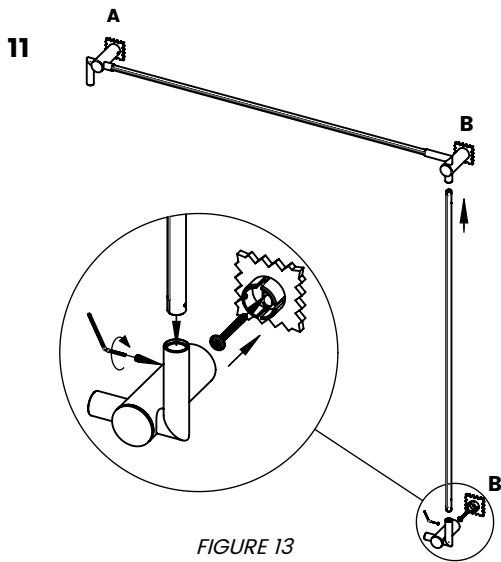


FIGURE 13

Install all light segments **except for the last two** in your fixture's configuration by following instructions 6 to 10.

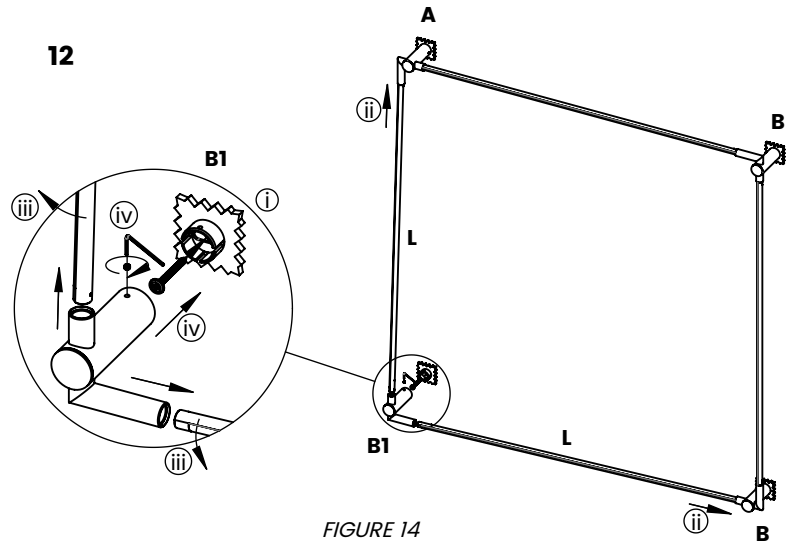
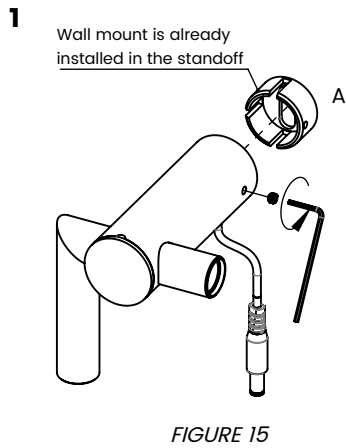


FIGURE 14

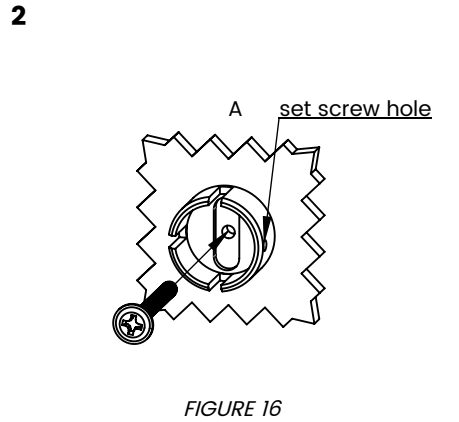
To install the last two light segments (L shown above) connected to the last passthrough standoff (B1 shown above), follow the instructions below:

- ⓪ Mount the B1 wall bracket.
- ⓪ Insert the light segments (L) into the power feed standoff (A) and passthrough standoff (B) as shown above.
- ⓪ Carefully move the light segments outside, just enough to slide the passthrough standoff (B1) onto both light segments simultaneously.
- ⓪ Carefully slide the pass through standoff (B1) onto the mounting bracket.

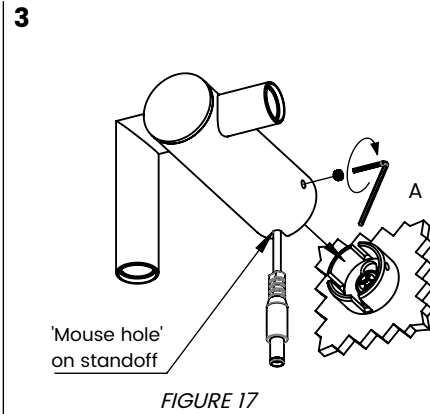
STEP 2B: PLUG-IN FIXTURE INSTALLATION



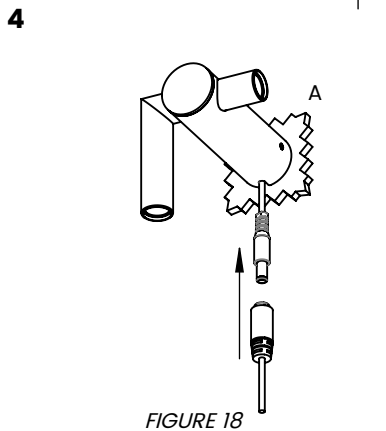
Loosen the set screw on the power standoff (A) and release the wall mount bracket. Wall mount is already installed in the standoff.



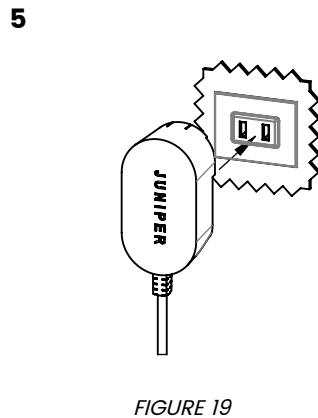
Using the provided screw, mount the wall bracket with the hole positioned in the center of the slot. Make sure to orient the setscrew hole in the correct direction. Woodscrews are provided for default installation. Alternate screws may be used at the recommendation of an electrician.



With the wire set alongside the 'mouse hole' on the standoff, slide the power standoff (A) on the wall bracket. **Make sure that the wire fits through the slot on the wall bracket.** Using the provided set screw, fix the power standoff in place. **Ensure that the mounting bracket has been secured tightly against the wall to prevent any sagging of the fixture.**



Insert the DC jack into the provided adaptor plug to make electrical connection.



Plug the adapter in the wall socket and turn on the power.

After completing the above instructions, follow the instruction 6-12 to install passthrough (B and B1) standoffs and light segments to complete the fixture's installation.

CARE INSTRUCTIONS

Brass will patina over time like other natural metals and regular care is required in order to retain the quality finish of your THIN fixture for years to come.

Gently wipe with a damp cloth to remove dirt, dust, and fingerprints.

Do not use any chemical cleaning solution.

Use indoors only.